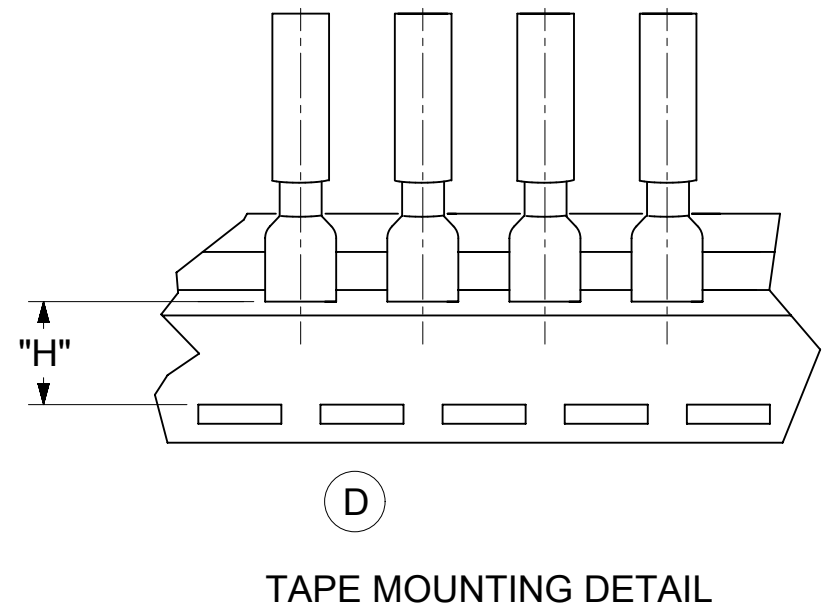
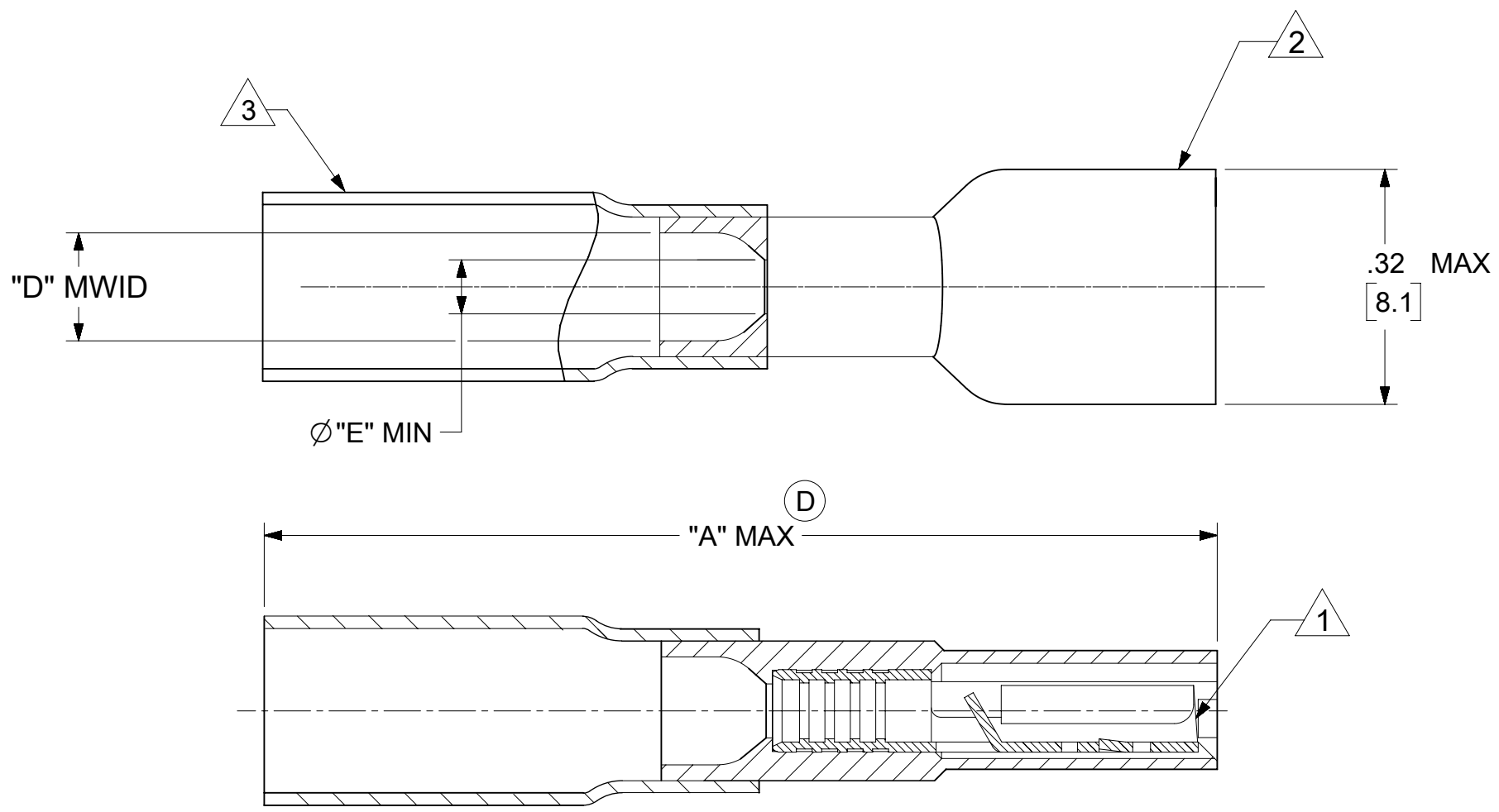


MATERIAL NUMBER	ENGINEERING NUMBER	TAB SIZE	TAPE MATERIAL NUMBER	TAPE ENGINEERING NUMBER	WIRE SIZE AWG	INSULATOR COLOR	"A" <sup>(D)</sup> MAX	"E" MIN	"H" NOMINAL
191641135	SBB-2207	.187" x .020"	191641136	SBB-2207T	16-14	BLUE	1.59/ 40.4	.079/2.00	.64/16.3
191641144	SAA-2202	.187" x .020"	191641145	SAA-2202T	22-18	RED	1.59/ 40.4	.053/1.35	.64/16.3
191641163	SBB-2208	.187" x .032"	191641164	SBB-2208T	16-14	BLUE	1.59/ 40.4	.079/2.00	.64/16.3
191641165	SAA-2203	.187" x .032"	191641166	SAA-2203T	22-18	RED	1.59/ 40.4	.053/1.35	.64/16.3



TAPE MOUNTING DETAIL

NOTES:

- 1 TERMINAL MATERIAL: BRASS.  
TERMINAL FINISH: TIN PLATED.
- 2 TERMINAL HOUSING MATERIAL: NYLON.
- 3 INSULATION MATERIAL: HEAT SHRINKABLE TUBING WITH HOTMELT ADHESIVE INNER LINER.  
COLOR: SEE CHART
- 4. MWID = MAXIMUM WIRE INSULATION DIA.
- 5. PARTS ARE RoHS COMPLIANT.

THIS DRAWING CONTAINS INFORMATION THAT IS PROPRIETARY TO MOLEX ELECTRONIC TECHNOLOGIES, LLC AND SHOULD NOT BE USED WITHOUT WRITTEN PERMISSION									
DIMENSION UNITS		SCALE		CURRENT REV DESC: MOD PERMA-SEAL LOC					
IN/MM		NTS		<p style="text-align: center;"><b>molex</b></p> <p style="text-align: center;">FEMALE FIQD PERMA-SEAL .187" X .020" &amp; .187" X .032" TAB SIZE</p> <p style="text-align: center;">PRODUCT CUSTOMER DRAWING</p>					
GENERAL TOLERANCES (UNLESS SPECIFIED)									
	MM	INCH		EC NO: 617065		2019/01/29		DOCUMENT NUMBER	
4 PLACES	±	±		DRWN: DMYRICK		2019/05/14		SD-19164-077	
3 PLACES	±	±		CHK'D: JMACNEIL		2019/05/14		DOC TYPE   DOC PART   REVISION	
2 PLACES	±	±		APPR: JMACNEIL		2019/05/14		PSD   001   D	
1 PLACE	±	±		INITIAL REVISION:				MATERIAL NUMBER	
0 PLACES	±	±		DRWN: BRE		2002/10/29		CUSTOMER	
ANGULAR TOL ± °				APPR: HEB		2002/10/29		GENERAL MARKET	
DRAFT WHERE APPLICABLE MUST REMAIN WITHIN DIMENSIONS				THIRD ANGLE PROJECTION		DRAWING		SHEET NUMBER	
				B-SIZE		19164		1 OF 1	