

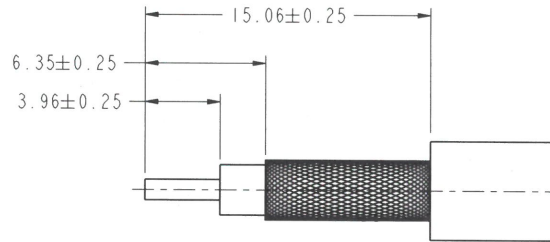
NOTES:

1. MATERIALS AND FINISHES:  
 BODY - BRASS, SILVER PLATING  
 CONTACT - BRASS, GOLD PLATING  
 INSULATOR - PTFE, NATURAL
2. ELECTRICAL:  
 A. IMPEDANCE: 50 OHM  
 B. FREQUENCY RANGE: DC - 4 GHz  
 C. DIELECTRIC WITHSTANDING VOLTAGE: 1500 VRMS, MIN.
3. MECHANICAL:  
 A. DURABILITY: 500 CYCLES MIN.  
 B. TEMPERATURE RANGE: -65° C TO +165° C
4. WHEN SOLDERING CONTACT TO CABLE,  
 ROSIN CORE SOFT SOLDER PER QQ-S-571, Sn60 IS RECOMMENDED.  
 WHEN CRIMPING CONTACT TO CABLE, CRIMP WITH AMPHENOL TOOL  
 227-944 (M22520/5-01) AND DIE SET 227-1221-11, CAVITY 'B'  
 (M22520/5-11, CLOSURE 'B')
5. WHEN CRIMPING FERRULE TO CABLE, CRIMP WITH AMPHENOL TOOL  
 277-944 (M22520/5-01) AND DIE SET 227-1221-11 CAVITY 'A'  
 (M22520/5-11 CLOSURE 'A')

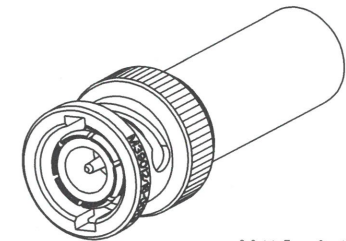
THIRD ANGLE PROJ.

REVISIONS

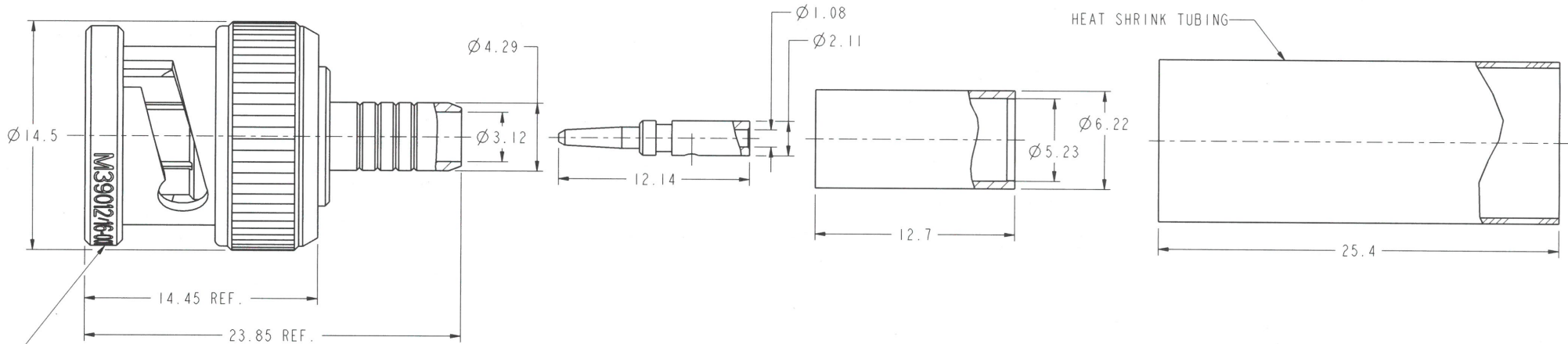
| REV | DESCRIPTION                                  | DATE      | ECO | APPR               |
|-----|----------------------------------------------|-----------|-----|--------------------|
| A1  | CONTACT'S FINISH WAS CHANGED\N/A             | 20-Jun-05 |     | AW                 |
| A2  | STAMP WAS CHANGED\N/A                        | 21-Jun-05 |     | AW                 |
| B   | SHELL WAS CHANGED\RD-DM08021401S             | 10-Mar-08 |     | AW                 |
| C   | SPRING'S MATERIAL WAS CHANGED\RD-DM11071801R | 21-Jul-11 |     | <i>[Signature]</i> |



RECOMMENDED CABLE STRIPPING DIMENSIONS



SCALE 2.000



"M39012/16-0013 74868 YYWW"

**CUSTOMER OUTLINE DRAWING**

ALL OTHER SHEETS ARE FOR INTERNAL USE ONLY

|                                                                                                                                                                                                                                                                                                                                                                                                                                                                                                                                                                                                                                                             |           |                            |                   |                                                                         |                  |                                                                                      |
|-------------------------------------------------------------------------------------------------------------------------------------------------------------------------------------------------------------------------------------------------------------------------------------------------------------------------------------------------------------------------------------------------------------------------------------------------------------------------------------------------------------------------------------------------------------------------------------------------------------------------------------------------------------|-----------|----------------------------|-------------------|-------------------------------------------------------------------------|------------------|--------------------------------------------------------------------------------------|
| UNLESS OTHERWISE SPECIFIED, DIMENSIONS ARE IN METRIC AND TOLERANCES ARE:<br>< 0.5mm ±0.05mm    0.5 - 6mm ±0.1mm    6 - 30mm ±0.2mm    30 - 120mm ±0.3mm    ANGLES ±1°                                                                                                                                                                                                                                                                                                                                                                                                                                                                                       | MATERIAL  | DRAWN<br>R. SHANG          | DATE<br>21-Jul-11 | TITLE<br>BNC PLUG MIL-CRIMP<br>(CATEGORY C)<br>FOR RG-58, 1418303 CABLE |                  | Amphenol RF<br>Danbury CT USA, Tainan, Taiwan, Shenzhen, China<br>www.amphenolrf.com |
|                                                                                                                                                                                                                                                                                                                                                                                                                                                                                                                                                                                                                                                             | REFERENCE | APPROVED<br>S. HSIEH       | DATE<br>21-Jul-11 | SCALE: 4.0:1.0                                                          | SHEET 2 OF 2     |                                                                                      |
| NOTICE - These drawings, specifications, or other data (1) are, and remain the property of Amphenol Corp., (2) must be returned upon request; and (3) are confidential and not to be disclosed to any person other than those to whom they are given by Amphenol Corp., the furnishing of these drawings, specifications, or other data by Amphenol Corp., or to any other person in any manner licensing, granting rights to permitting such holder or any other person to manufacture, use or sell any product, process or design, patented or otherwise, that may in any way be related to or disclosed by said drawings, specifications, or other data. | FINISH    | CAD FILE<br>I:\BNC\31-4320 | DWG SIZE<br>B     | REV<br>C                                                                | ITEM NO. 31-4320 | PART NO. 31-4320                                                                     |

RD-DR 36289 pages