

MATERIALS AND FINISHES

BODY ZINC ALLOY
PLATED NICKEL

CENTER CONTACT PHOSPHOR BRONZE
PLATED GOLD

INSULATOR POLYPROPYLENE (94 V-2)

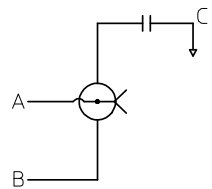
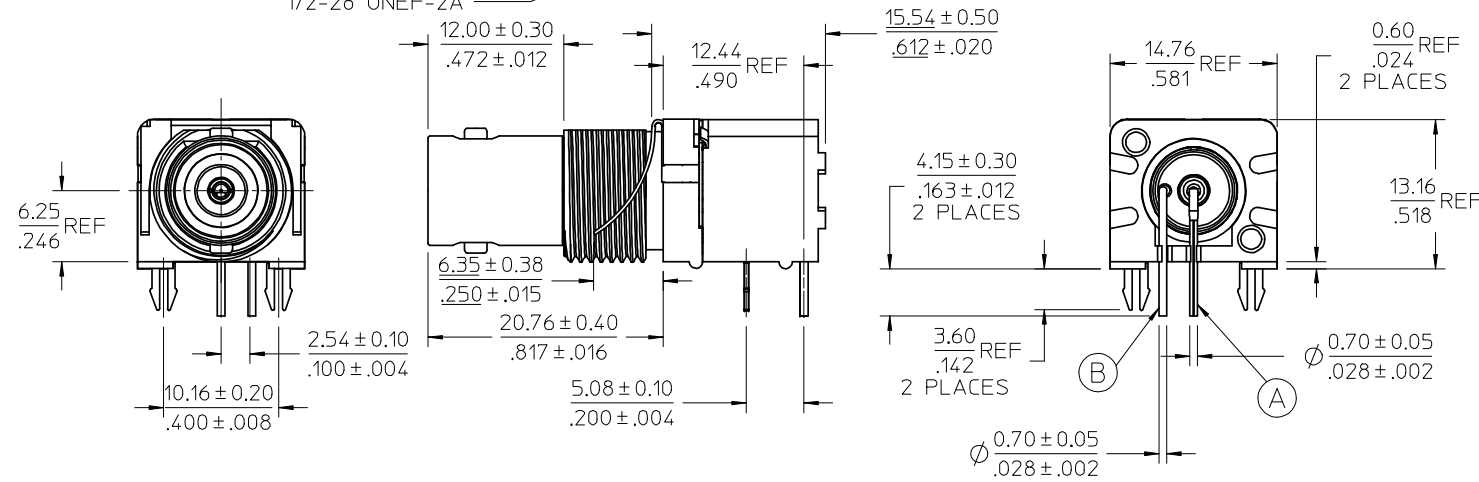
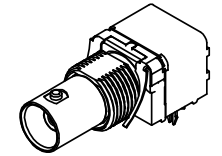
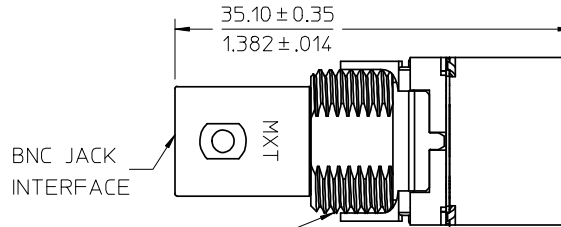
HOUSING VALOX 420-SE0
COLOR BLACK

SOLDER TAIL COPPER OVER STEEL WIRE
PLATED TIN

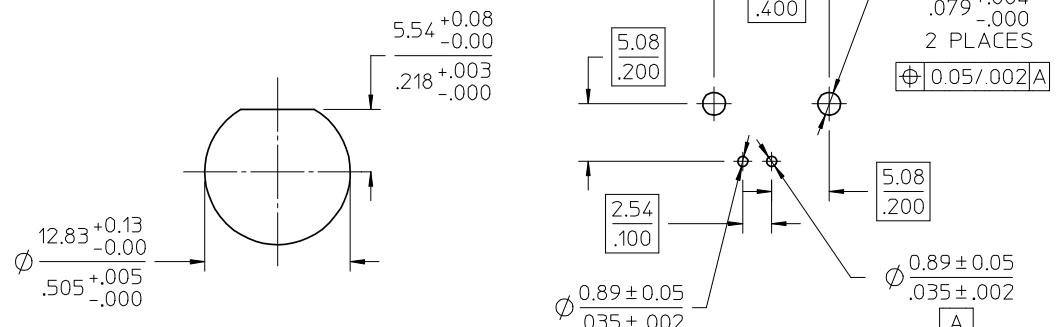
FRONT CLIP PHOSPHOR BRONZE
PLATED NICKEL

CHIP CAPACITOR MULTILAYER CERAMIC

BOARD LOCK CLIP PHOSPHOR BRONZE
PLATED TIN



SCHEMATIC
9400 ±20% PF, 1.5 KV W V_{dc}



RECOMMENDED MOUNTING HOLE
RECOMMENDED MOUNTING TORQUE:
0.56 N-m(5.00 IN-LBS)
PANEL THICKNESS: 5.5(.217) MAX

RECOMMENDED PCB HOLE

PART # 73100-0134

ES-73599-0000	INTERFACE
PS-73598-0010	ELECTRO/MECH PERFORM.
SPECIFICATION	DESCRIPTION

CHG: CONVERT TO SOLID DESIGNER EC NO: URF2008-0413 DRWN: WIENER 2008/02/08 CHKD: SHAH 2008/02/08 APPR: WIENER 2008/02/11	QUALITY SYMBOLS ▽=0 ▽=0	GENERAL TOLERANCES (UNLESS SPECIFIED) 4 PLACES ± --- ± --- 3 PLACES ± --- ± --- 2 PLACES ± --- ± --- 1 PLACE ± --- ± --- ANGULAR ± 2 °	DIMENSION STYLE MM/IN	SCALE DESIGN UNITS METRIC	THIRD ANGLE PROJECTION
		DRAWN BY THOMPSON DATE 1994/02/16 CHECKED BY IRIS WANG DATE 1994/02/16 APPROVED BY R FIELDS DATE 1994/02/16	TITLE BNC JACK, R/A RECEPTACLE 50 OHMS FILTER BNC-J/PCB/RA/BK	MATERIAL NO. 731000134	DOCUMENT NO. SD-73100-0134

DRAFT WHERE APPLICABLE MUST REMAIN WITHIN DIMENSIONS

THIS DRAWING CONTAINS INFORMATION THAT IS PROPRIETARY TO MOLEX INCORPORATED AND SHOULD NOT BE USED WITHOUT WRITTEN PERMISSION