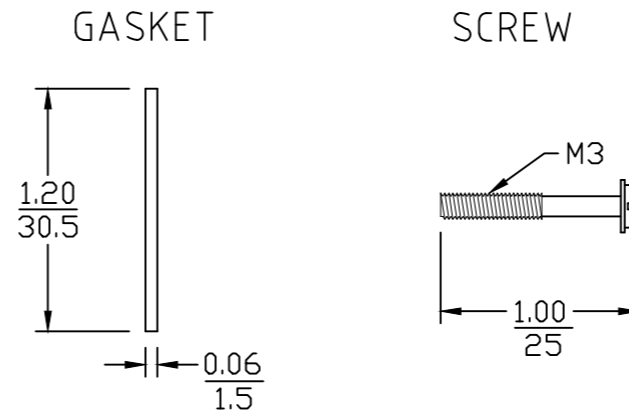


PART NUMBER	ENGINEERING NUMBER	FINISH LENGTH
1211810021	E130B4A23M005	1 FT 8 IN [0.5M]
1211810022	E130B4A23M010	3 FT 3 IN [1M]
1211810023	E130B4A23M020	6 FT 7 IN [2M]
1211810024	E130B4A23M030	9 FT 10 IN [3M]
1211810025	E130B4A23M050	16 FT 5 IN [5M]

DIN ACCESSORIES

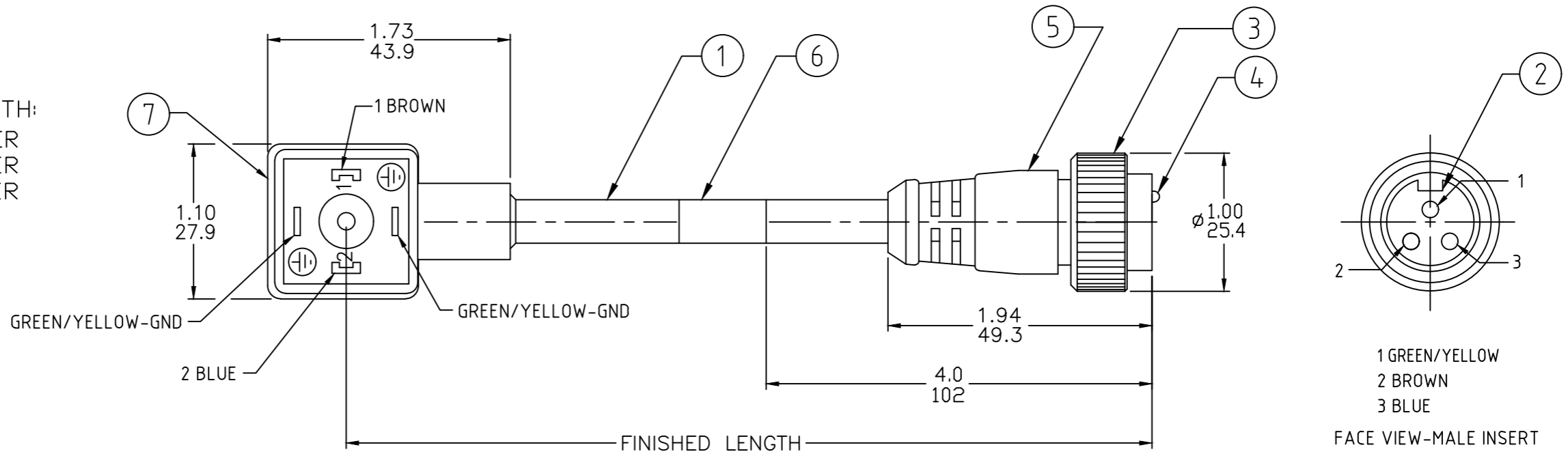


CABLE LENGTH TOLERANCES	
>.3M [1FT]:	+19mm-0 [+ .75in-0]
.3 - .9M [1 - 3FT]:	+44.5mm-0 [+1.75in-0]
.9 - 1.8M [3 - 6FT]:	+55.6mm-0 [+2.19in-0]
1.8 - 3.7M [6 - 12FT]:	+88.9mm-0 [+3.50in-0]
3.7 - 7.3M [12 - 24FT]:	+165.1mm-0 [+6.50in-0]
7.3-14.6M [24 - 48FT]:	+317.5mm-0 [+12.50in-0]
14.6 - 30.5M [48-100FT]:	+622.3mm-0 [+24.50in-0]
OVER 30M [100FT]	+2% OF FINISHED LENGTH

PART NUMBER LEGEND

E130B4A23M010

FINISHED LENGTH:
M005= 0.5 METER
M010= 1.0 METER
M100= 10 METER



NOTES:

1. MATERIAL: AS NOTED
2. FINISH: AS NOTED
3. ELECTRICAL:
VOLTAGE: 24V, 5A
4. TEMP RATING (DYNAMIC): -15°C TO +70°C (B)
5. PROTECTION: IP65 (WHEN MATED)
6. COUPLING THREAD: 7/8-16UN
7. ALL DIMS ARE FOR REFERENCE UNLESS NOTED OR TOLERANCED OTHERWISE

ITEM	DESCRIPTION	MATERIAL	FINISH
7	DIN CONNECTOR	PVC	BLACK
6	WRAP LABEL	VINYL	BLACK/YELLOW
5	OVERMOLD	TPE	YELLOW
4	CONTACT PIN	COPPER ALLOY	GOLD PLATED
3	COUPLING, FEMALE	ZINC DIE-CAST	BLACK
2	MALE INSERT (A-SIZE)	TPE	YELLOW
1	CABLE 3X0.75MM ² (18AWG)	PVC JACKET	BLACK

FUNCTIONAL SYMBOLS	THIS DRAWING CONTAINS INFORMATION THAT IS PROPRIETARY TO MOLEX ELECTRONIC TECHNOLOGIES, LLC AND SHOULD NOT BE USED WITHOUT WRITTEN PERMISSION		CURRENT REV DESC: UPDATE DOC LINKS, P/N LEGEND O-MOLD & INSERT WAS PVC, UPDATE NOTES	
	DIMENSION UNITS	SCALE		
$\nabla_A=0$ $\nabla_C=0$ $\nabla_P=0$	INCH/MM	1:1	EC NO: 641840	SD-121181-003 PSD 001 B
DIVISIONAL SYMBOLS	GENERAL TOLERANCES (UNLESS SPECIFIED)		DRWN: RSTONE 2020/06/02	
			CHK'D: MZIELINSKI 2020/07/20	PRODUCT CUSTOMER DRAWING DOCUMENT NUMBER: SD-121181-003 DOC TYPE: PSD DOC PART: 001 REVISION: B
			APPR: BWOODMAN 2020/07/28	
			INITIAL REVISION:	MATERIAL NUMBER: 121181 CUSTOMER: GENERAL MARKET SHEET NUMBER: 1 OF 1
			DRWN: JCAPPOZZ 2019/02/26	
			APPR: BWOODMAN 2019/03/12	
	DRAFT WHERE APPLICABLE MUST REMAIN WITHIN DIMENSIONS	THIRD ANGLE PROJECTION	DRAWING: B-SIZE	SERIES: 121181