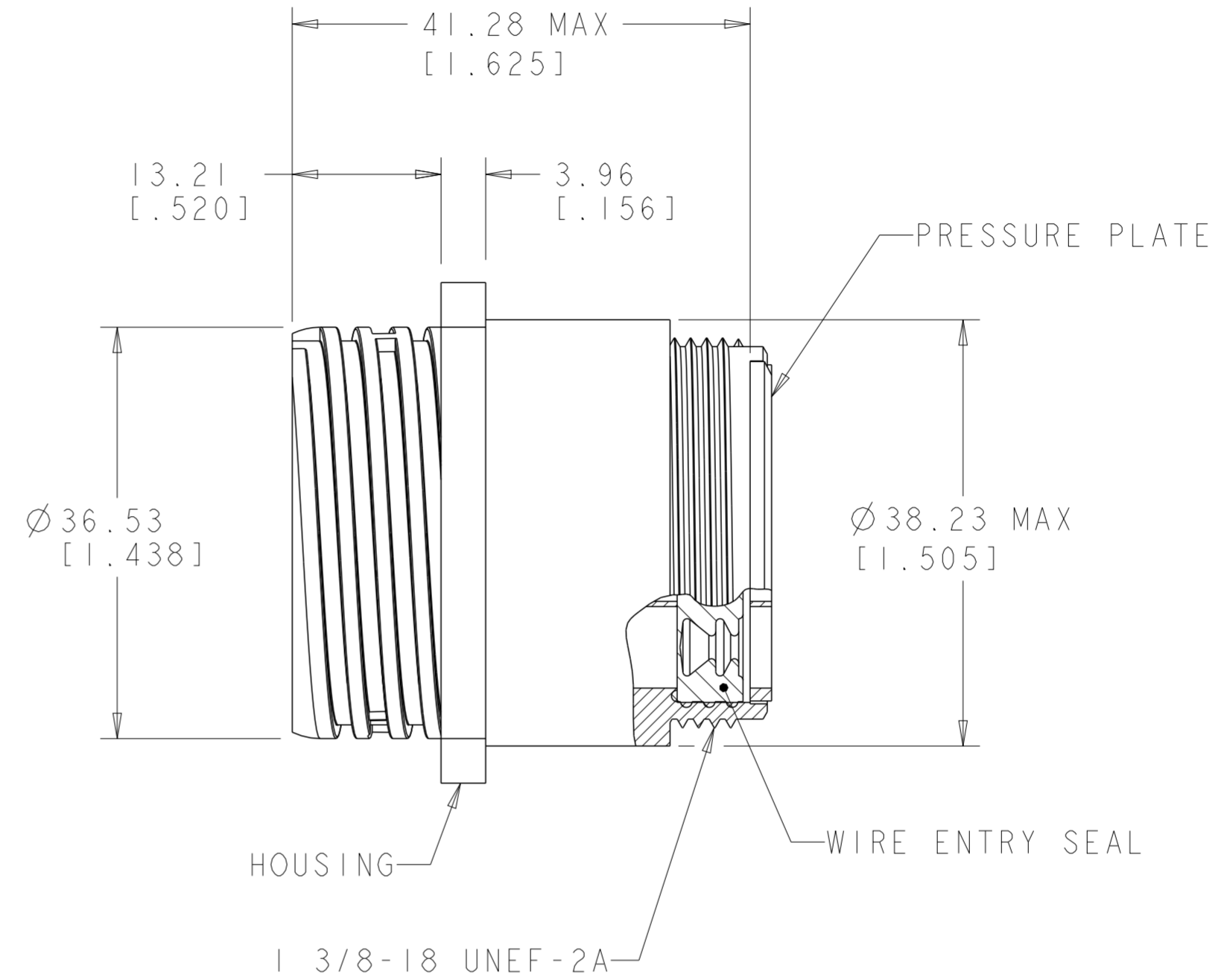
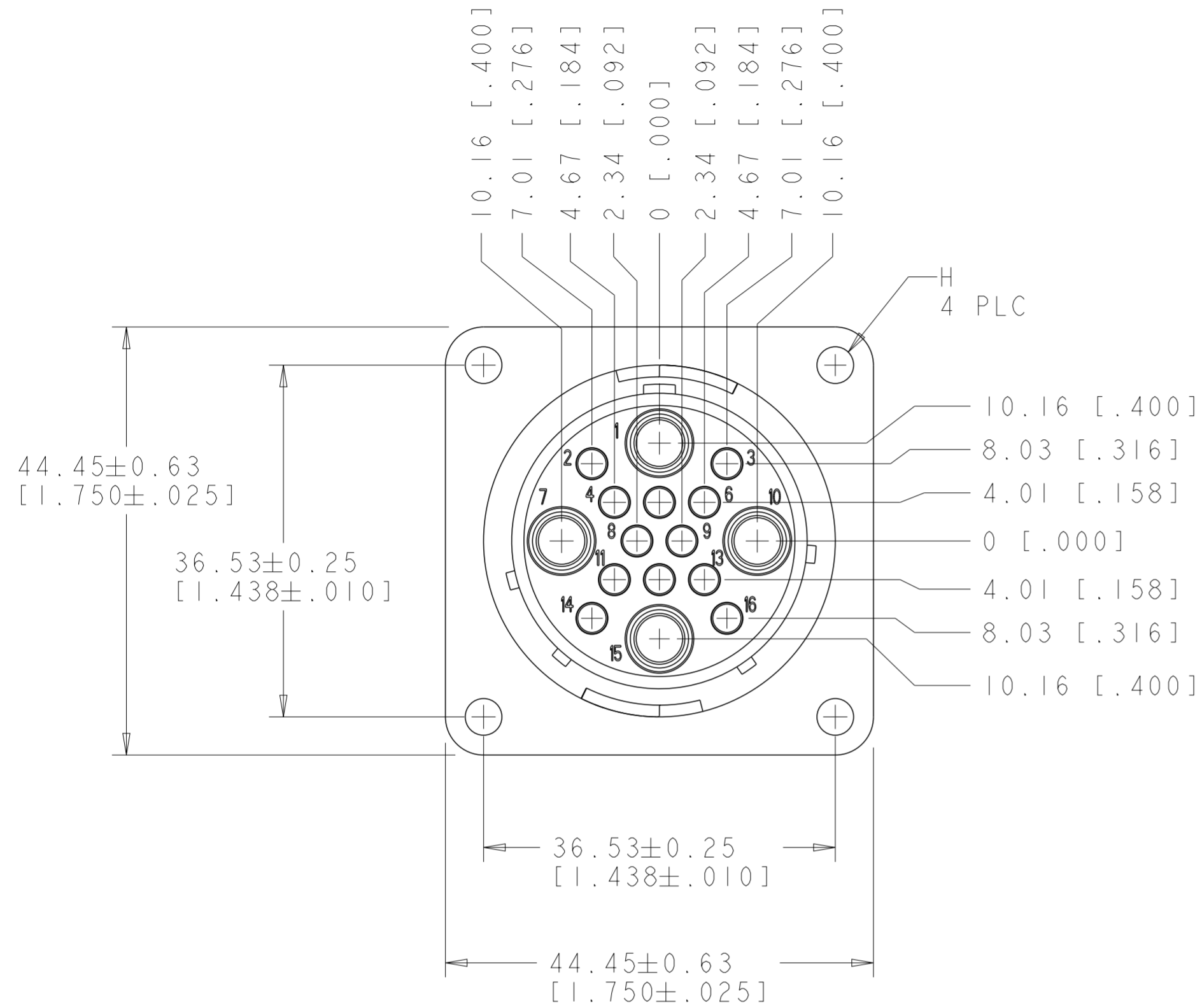
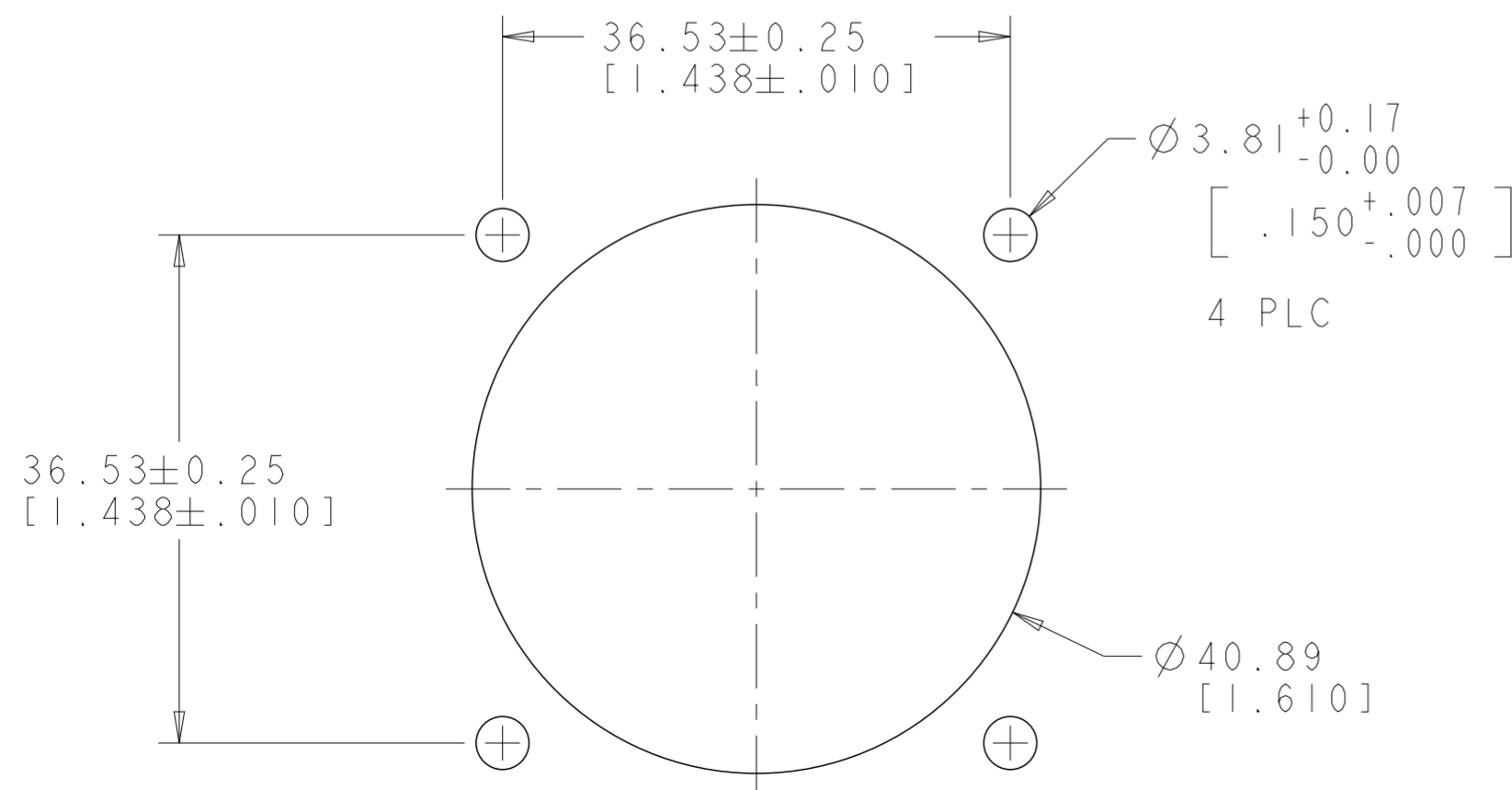


P	LTR	DESCRIPTION	DATE	DWN	APVD
A		NEW DRAWING PER ECO-12-018480	15NOV2012	KH	MZ
B		REVISED PER ECO-19-008872	25JUL2019	RS	MZ



- 1. HOUSING & PRESSURE PLATE: NYLON, BLACK.
WIRE ENTRY SEAL: ELASTOMER, RED-IRON OXIDE.
PERIPHERAL SEAL: ELASTOMER, BLACK.
- 2. WILL ACCEPT (12) MULTIMATE PINS AND (4) POWER MALE CONTACTS.



RECOMMENDED PANEL CUTOUT

STD	3.81 ± 0.07 [.150 ± .003]	1977890-1
WIRE ENTRY SEAL	H	PART NUMBER

THIS DRAWING IS A CONTROLLED DOCUMENT.		DWN KIRAN HOLAL 15NOV2012	TE Connectivity																
DIMENSIONS: mm [INCHES]		CHK M ZITTO 15NOV2012																	
TOLERANCES UNLESS OTHERWISE SPECIFIED:		APVD M ZITTO 15NOV2012	NAME CPC SQUARE FLANGE RECEPTACLE ASSEMBLY SERIES 6, SEALED, 23-16, STANDARD SEX, UV RESISTANT																
<table border="1"> <tr> <th></th> <th>±</th> </tr> <tr> <td>0 PLC</td> <td>±</td> </tr> <tr> <td>1 PLC</td> <td>±</td> </tr> <tr> <td>2 PLC</td> <td>±0.02</td> </tr> <tr> <td>3 PLC</td> <td>±</td> </tr> <tr> <td>4 PLC</td> <td>±</td> </tr> <tr> <td>ANGLES</td> <td>±</td> </tr> <tr> <td>FINISH</td> <td>-</td> </tr> </table>			±	0 PLC	±	1 PLC	±	2 PLC	±0.02	3 PLC	±	4 PLC	±	ANGLES	±	FINISH	-	PRODUCT SPEC 108-1579	SIZE A2
	±																		
0 PLC	±																		
1 PLC	±																		
2 PLC	±0.02																		
3 PLC	±																		
4 PLC	±																		
ANGLES	±																		
FINISH	-																		
MATERIAL		APPLICATION SPEC	CAGE CODE 00779																
		WEIGHT	DRAWING NO C-1977890																
CUSTOMER DRAWING		SCALE 2:1	RESTRICTED TO REV B																