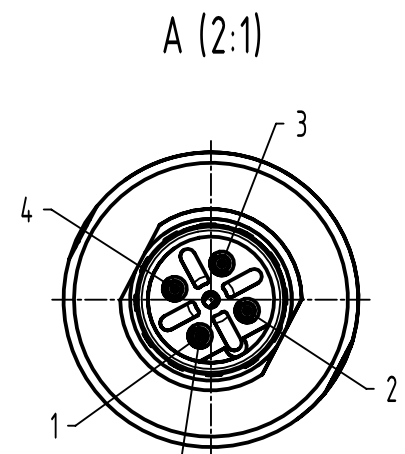
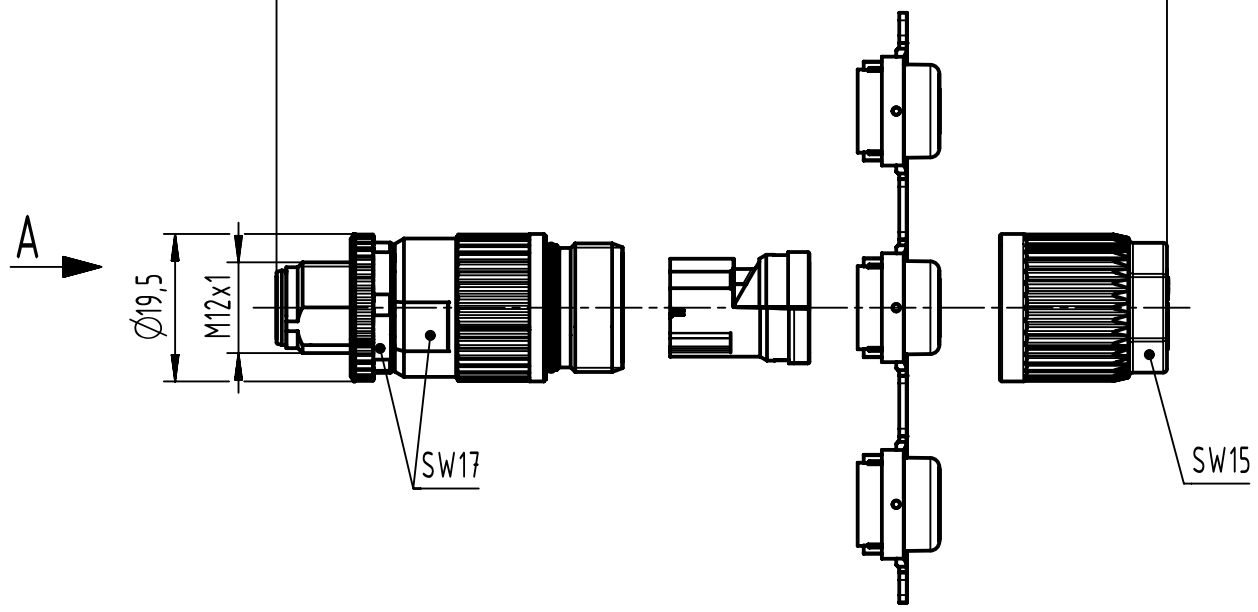
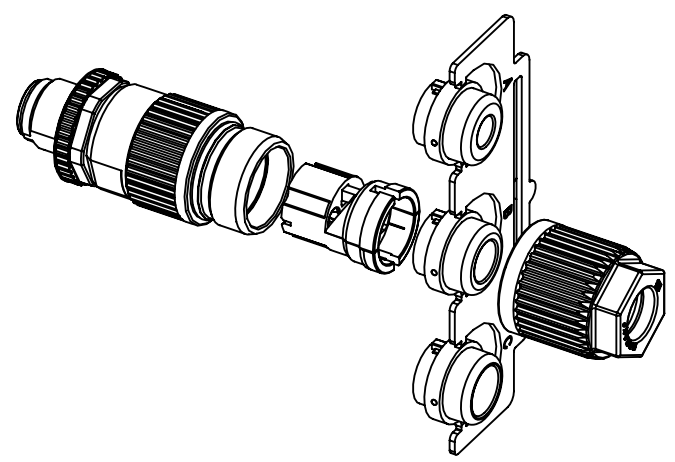


complete length when assembled app. 58mm



contact face acc. to IEC 61076-2-101



conductor cross section	cable outside diameter
0.34mm ² AWG22	4.5 - 8.8mm

	All rights reserved Department EL PD	All Dimensions in mm Original Size DIN A4		Scale 1:1	Free size tol.	Ref.
		Created by DYCKC	Inspected by EISFELD	Standardisation 302077	Date 2020-10-22	State Final Release
HARTING Electronics GmbH D-32339 Espelkamp		Title HARTING M12-L male shielded 2-pole B-coded			Doc-Key / ECM-Nr. 100195414/UGD/002/L 500000179215	
		Type TB	Number 21032411301		Rev. L	Page 1/1