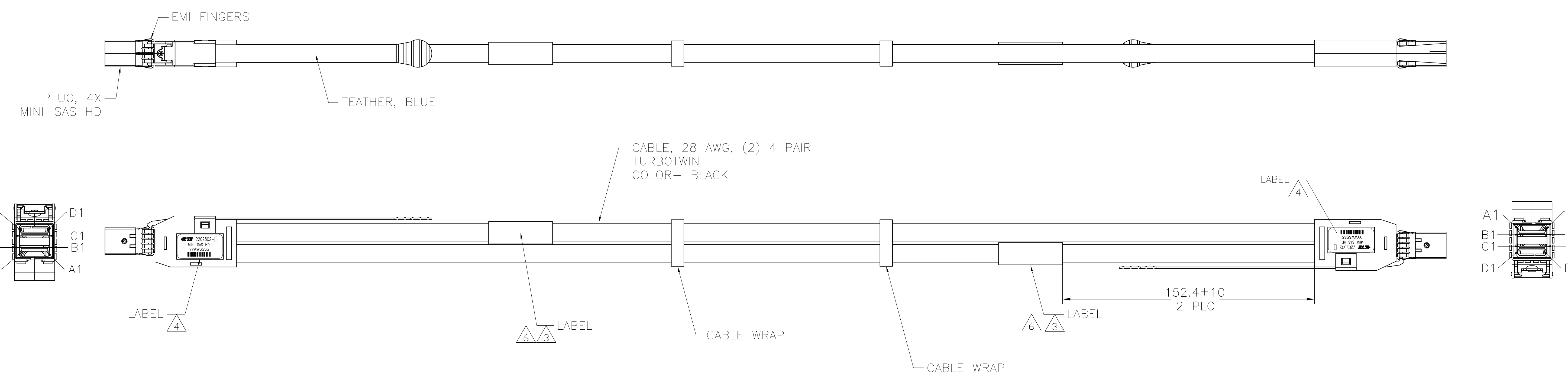
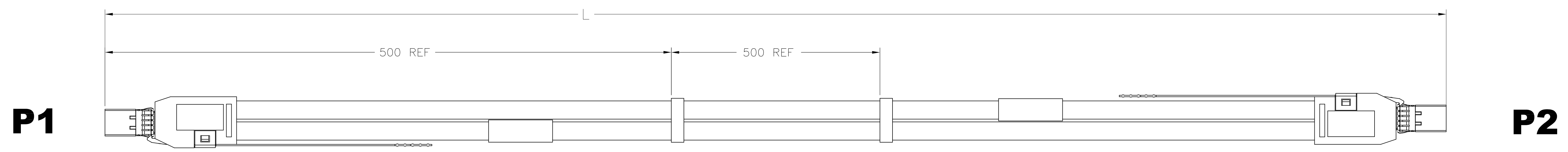


REVISIONS					
P	LTR	DESCRIPTION	DATE	DWN	APVD
D	PER	ECO-15-016946	21MAR2016	PL	JM



- ASSEMBLY TESTED FOR CONTINUITY, OPENS, SHORTS, EEPROM PROGRAM AND SIGNAL INTEGRITY.
- ROHS AND REACH COMPLIANCE: PRODUCT AND PROCESSING MEETS REQUIREMENTS OF TE SPECIFICATION TEC-138-702.

3 LABEL INFORMATION:

	2202502-[]	TE LOGO AND P/N
---	METERS	LENGTH
YYWW		DATE CODE
MADE IN	---	COUNTRY OF ORIGIN

4 LABEL INFORMATION:

	2202502-[]	TE LOGO AND P/N
	MINI-SAS HD	
YYWW	SSSS	YYWW= DATE CODE, SSSS= SERIAL NUMBER
		BARCODE

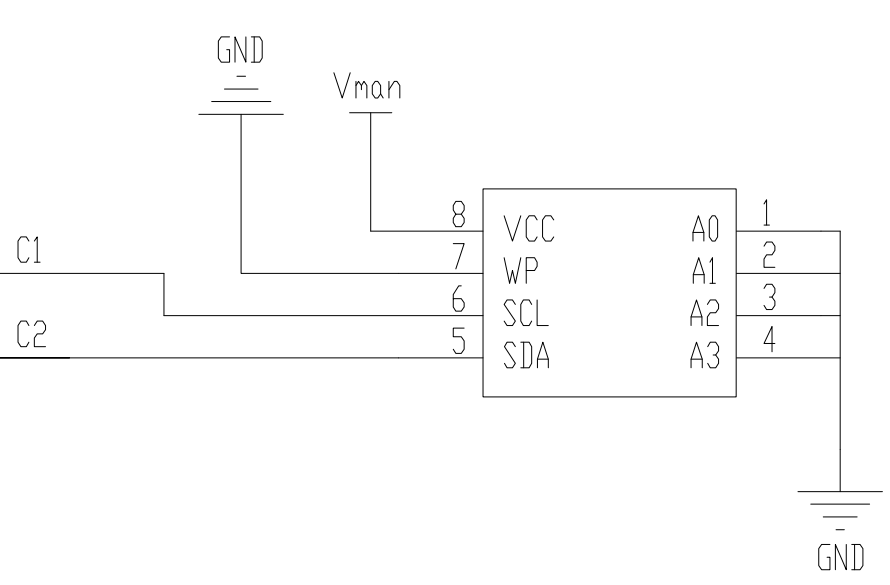
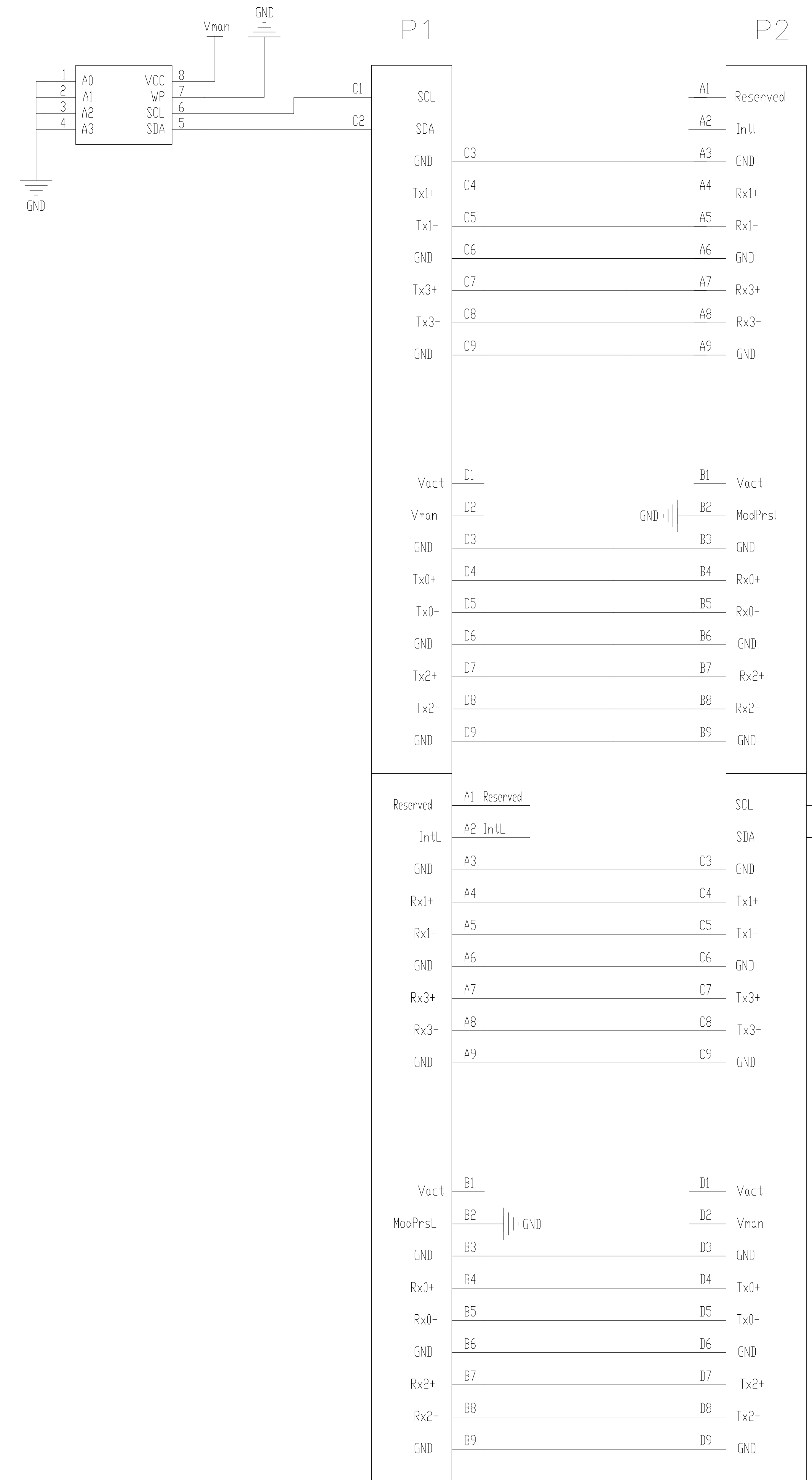
- EEPROM PROGRAMMED PER TE DOCUMENT 2202502_EEPROM.
- 6 -1 ONLY: LABEL IS APPLIED TO THE CENTER OF CABLE ASSEMBLY,

5	+0.1 -0	METERS	2202502-6
4	+0.08 -0	METERS	2202502-5
3	+0.08 -0	METERS	2202502-4
2	+0.08 -0	METERS	2202502-3
1	+0.05 -0	METERS	2202502-2
0.5	+0.05 -0	METERS	2202502-1 6
	L		PART NO

THIS DRAWING IS A CONTROLLED DOCUMENT.

DIN	P.LI	09MAR2012		TE Connectivity
CHK	J.MEYERS	09MAR2012		NAME
APVD	J.MEYERS	09MAR2012	PRODUCT SPEC	
			APPLICATION SPEC	
			WEIGHT	0
			SIZE	A1
			CAGE CODE	00779
			DRAWING NO	2202502
			RESTRICTED TO	
			CUSTOMER DRAWING	
			SCALE	1:1
			SHEET	1 OF 2
			REV	D

REVISIONS				
P	LTR	DESCRIPTION	DATE	OWN
-	-	SEE SHEET 1	-	-



THIS DRAWING IS A CONTROLLED DOCUMENT.		DIN P. LI 09MAR2012	TE Connectivity	
DIMENSIONS: mm		CHK J. MEYERS 09MAR2012		
TOLERANCES UNLESS OTHERWISE SPECIFIED:		APPD J. MEYERS 09MAR2012	NAME CABLE ASSEMBLY, 28 AWG TURBOTWIN, MINI-SAS HD, 4X	
0. PLC ± - 1. PLC ± - 2. PLC ± - 3. PLC ± - 4. PLC ± - ANGLES ± -		PRODUCT SPEC		RESTRICTED TO
MATERIAL		APPLICATION SPEC		SIZE A1
FINISH		WEIGHT		CAGE CODE 00779
		CUSTOMER DRAWING		DRAWING NO 2202502
		SCALE 1:1		SHEET 2 OF 2
				REV D