

PART NAME: KNOB

SCALE: 1:1

DATE: 2/24/94 DR. BY HS

THIS DRAWING IS THE PROPERTY OF DAVIES MOLDING COMPANY, IS SUBMITTED SOLELY AS A DESIGN OR ENGINEERING PROJECT. WE ACCEPT NO RESPONSIBILITY WHATSOEVER FOR THE PRACTICAL APPLICATION OF THE PIECES MADE TO THIS DESIGN.



DESIGNERS & MANUFACTURERS OF KNOBS, HANDLES, CASES & CUSTOM PLASTIC COMPONENTS

P/N 3036-D

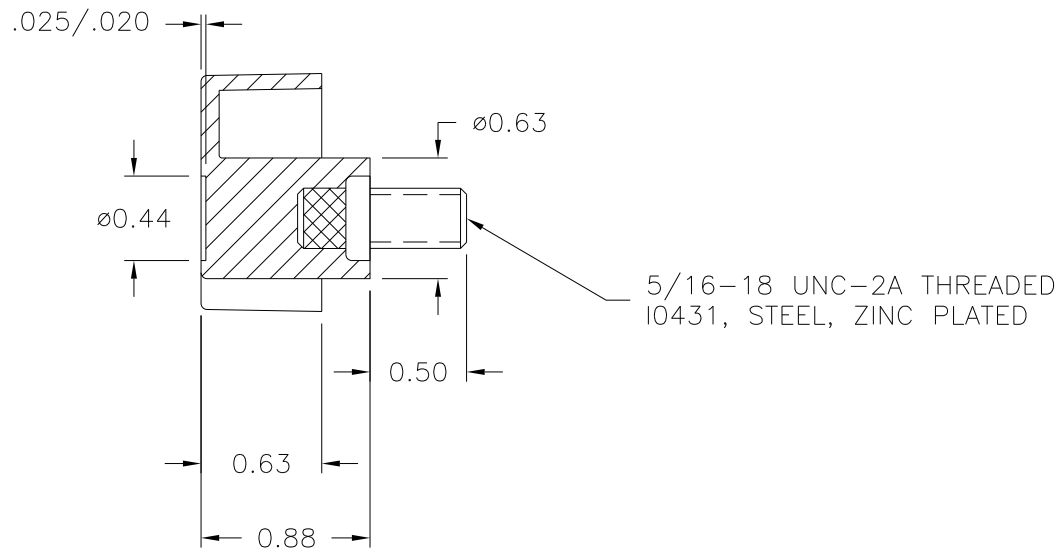
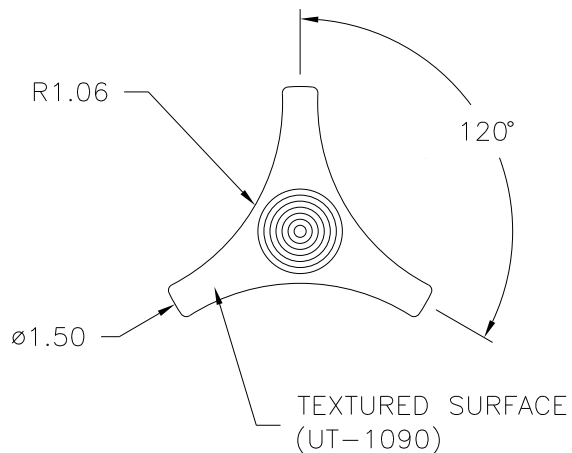
M^{NO.} 38

CAVITY	3036
CORE	3036
CAVITY PLUG	3036
SLEEVE	2780
PIN	2780-B
SHIMS	.306+.241
INSERT	I0431

M^{NO.} 38 #2

PLATE 0.548

ⓑ SHIM 0.030



MATERIAL: 20% TALC-FILLED POLYPROPYLENE (BC9)
 COLOR: BLACK

Ⓐ

TOLERANCES: UNLESS OTHERWISE SPECIFIED	DO NOT SCALE DRAWING	B	CORRECTED SHIM	TS	8/29/02
DECIMALS: X.XXX ± .005 X.XX ± .015	MM: X.XX ± 0.15MM X.X ± 0.4MM	-	REDRAWN	TL	11/18/99
FRACTIONS ± 1/64	ANG. ± 1°	A	WAS ABS	TS	3/3/99
CHANGES					