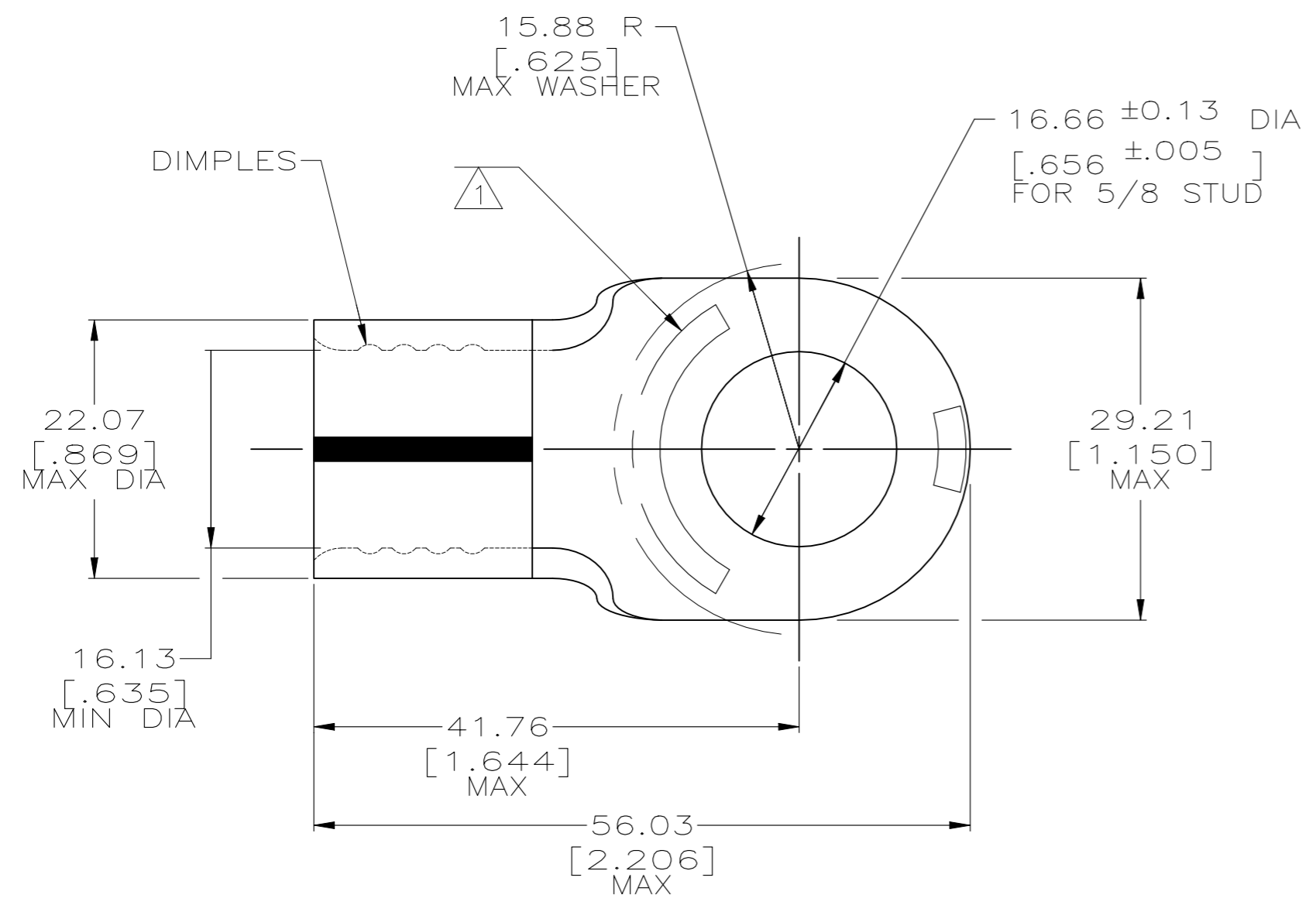


© - TE Connectivity. All Rights Reserved.

REVISIONS					
P	LTR	DESCRIPTION	DATE	DWN	APVD
	G2	REV PER ECN-22-150900	28APR2022	RK	CSD



<b>AMP</b> WIRE RANGE	Listed FILE E13288	LR7189 Certified
4/0 AWG SOLID OR STRANDED	4/0 AWG SOLID OR STRANDED	4/0 AWG SOLID OR STRANDED

- ① STAMP AMP 4/0W\* 200 APPROX AS SHOWN
- 2 MATERIAL THK: 2.59 ±0.08 [.102 ±.003 ]
- ③ SEE RESTRICTED CUSTOMER DRAWING 36935-1
- ④ COPPER PER ASTM B-152, ANNEALED
- ⑤ TIN PLATE 0.00254 [.000100] MIN PER B-545
- 6 NOTE DELETED

OBSOLETE ③	36935-1
	36935
	PART NUMBER

<b>CUSTOMER SERVICE SYSTEMS</b>	
FOR ADDITIONAL PRODUCT INFORMATION OR COPIES OF DRAWINGS AND TECHNICAL DOCUMENTS	PRODUCT INFORMATION CENTER 1-800-522-6752
FOR APPLICATION TOOLING INFORMATION	TOOLING ASSISTANCE CENTER 1-800-722-1111
FOR ORDER ENTRY	1-800-526-5142

THIS DRAWING IS A CONTROLLED DOCUMENT.	
DIMENSIONS: mm [INCHES]	TOLERANCES UNLESS OTHERWISE SPECIFIED:
	0 PLC ± -
	1 PLC ± -
	2 PLC ± 0.20 [.008]
	3 PLC ± -
	4 PLC ± -
	ANGLES ± -
MATERIAL	FINISH
- ④	- ⑤

DWN DK SCHRUM 15MAY96	<b>STE</b> TE Connectivity			
CHK DM SWARTZ 01JUL96				
APVD JL MECKLEY 01JUL96	NAME			
PRODUCT SPEC	TERMINAL, RING TONGUE, SOLISTRAND			
APPLICATION SPEC	SIZE	CAGE CODE	DRAWING NO	RESTRICTED TO
WEIGHT	A3	00779	C-36935	-
CUSTOMER DRAWING			SCALE	SHEET
			2:1	1 OF 1
			REV	G2