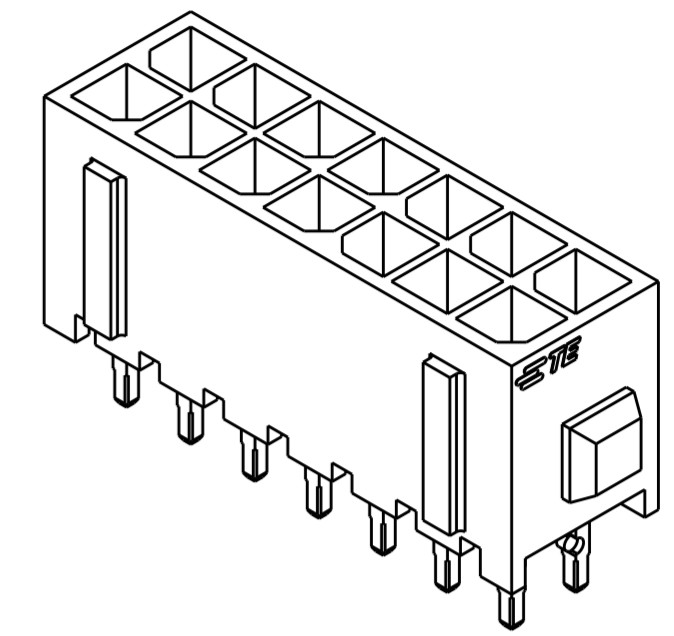
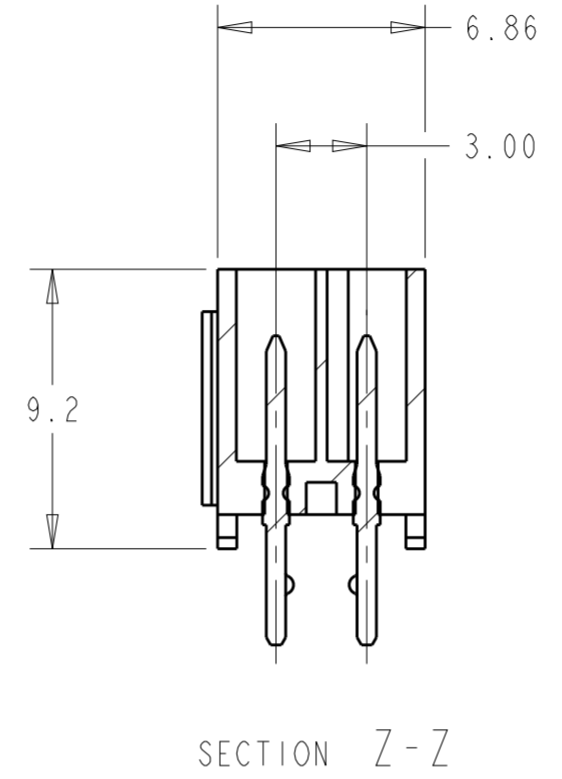
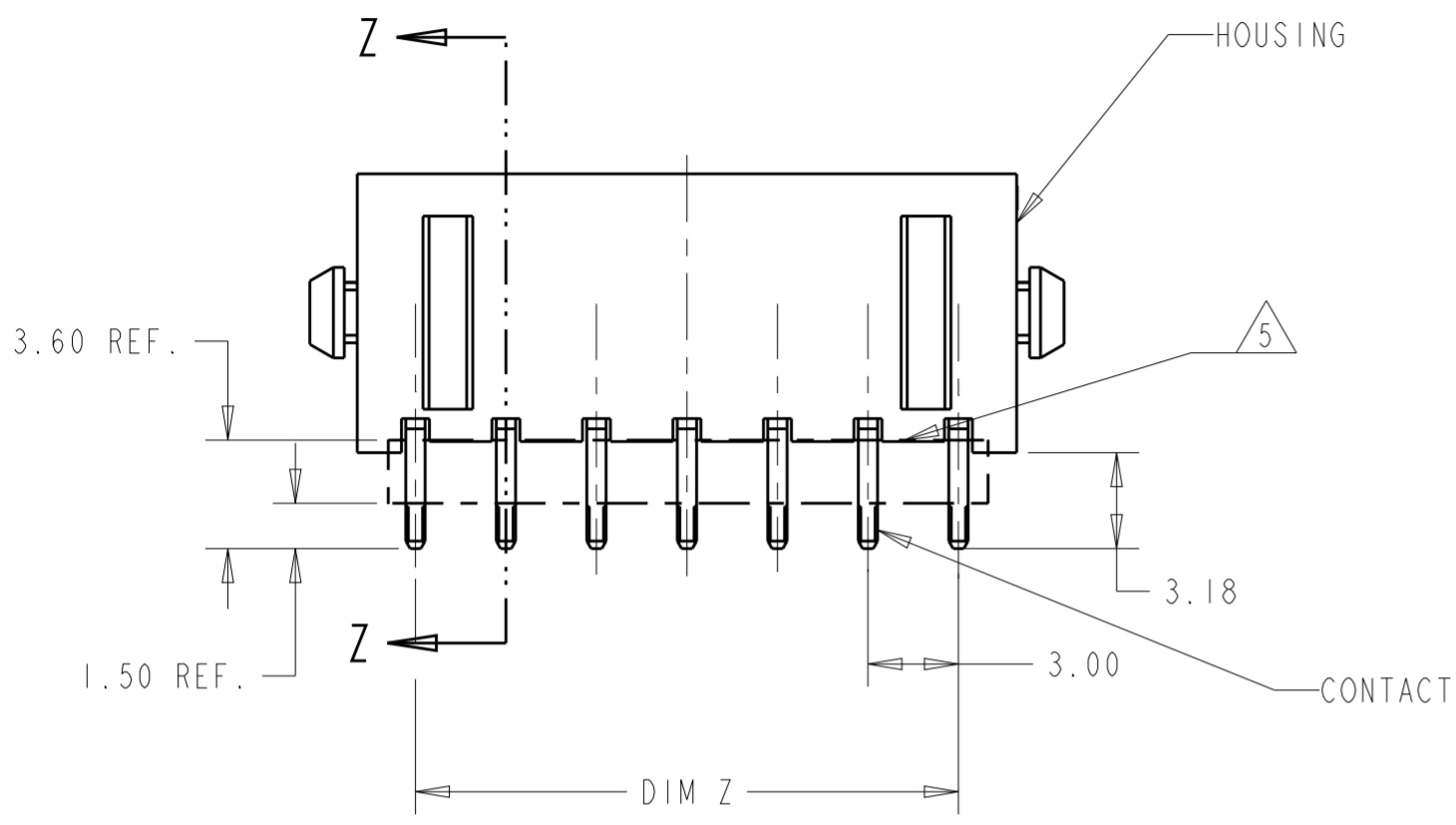
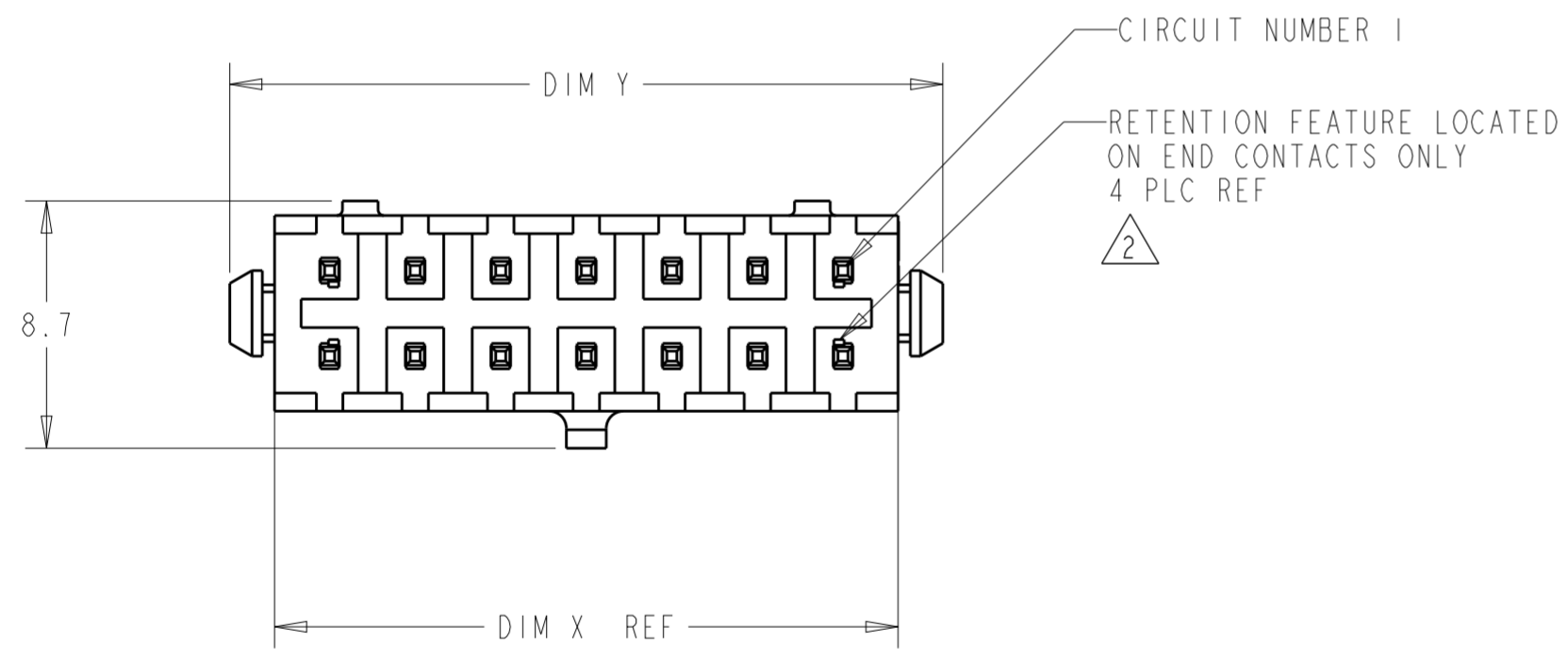


THIS DRAWING IS UNPUBLISHED. RELEASED FOR PUBLICATION
 © COPYRIGHT 20 BY - ALL RIGHTS RESERVED.

REVISIONS				
P	LTR	DESCRIPTION	DATE	APVD
E1		REVISED PER ECR-16-011494	21JUN2017	NK CX
E2		ECO-19-006502	25APR2019	AP WLS
E3		REVISED PER ECN-20-100750	10DEC2020	WLS VS



- 1 MATERIAL: HOUSING - UL 94V-0 RATED HIGH TEMP. , NYLON, COLOR BLACK.
CONTACT - BRASS.
- 2 MAXIMUM INSERTION 30 LBS.
- 3 RECOMMENDED BOARD THICKNESS 1.57.
- 4 FINISHING: CONTACT - 0.38µm MINIMUM GOLD ON MATING AREA.
2.54µm MINIMUM MATTE TIN ON SOLDER TAILS.
ALL OVER 1.27µm MINIMUM NICKEL.
- 5 CUTTING AREA REGION, NO PLATING IS PRESENT.
- 6 COUNTERPART RECOMMENDED IS PN 794617 (DASH ACCORDING TO NUMBER OF POSITION).
- 7 FOR REELING DIRECTION AND PACKAGING TYPE, SEE SPECIFICATION 114-13000.

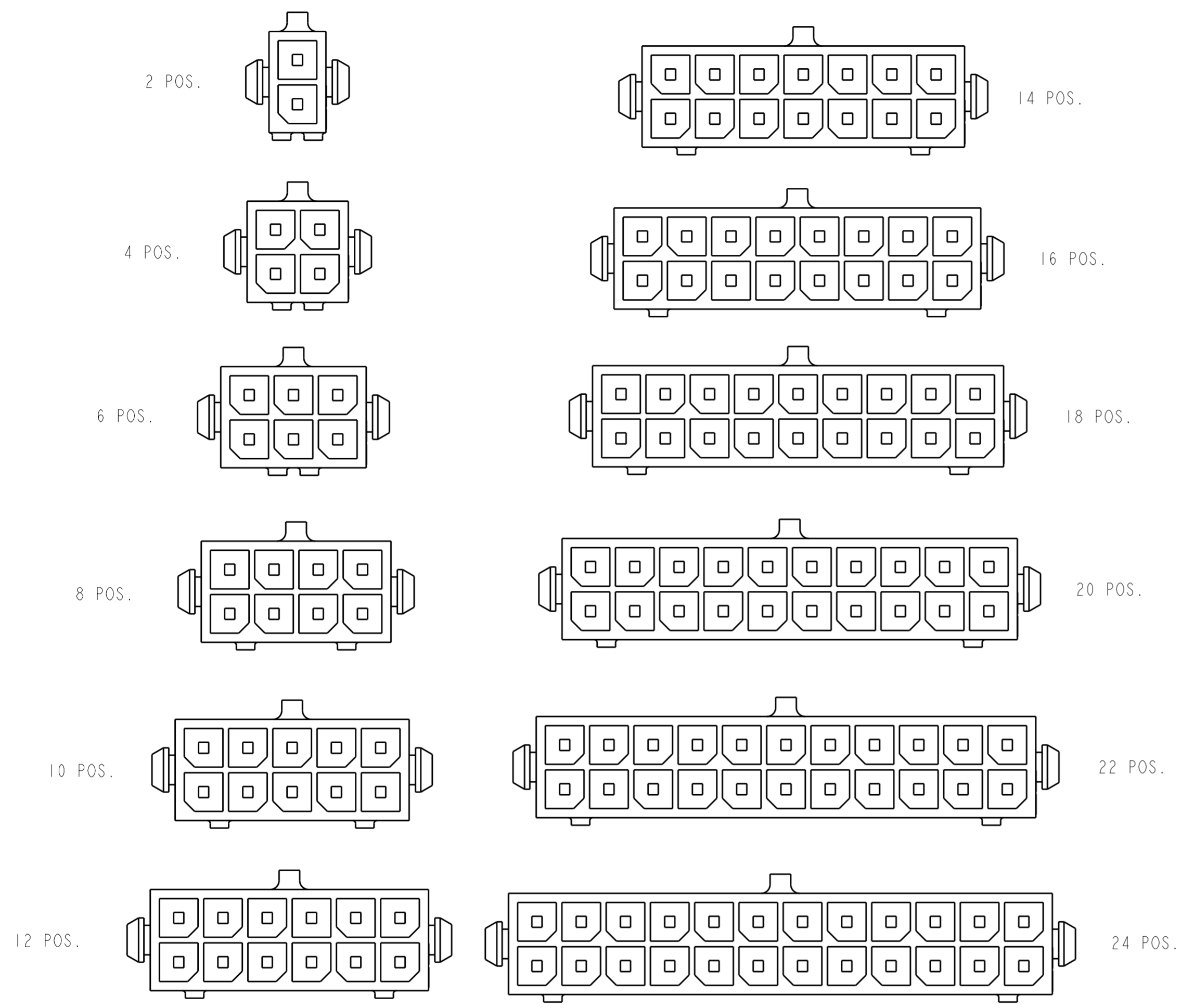


40.00	33.00	36.86	24	5-794631-4
37.00	30.00	33.86	22	5-794631-2
34.00	27.00	30.86	20	5-794631-0
31.00	24.00	27.86	18	4-794631-8
28.00	21.00	24.86	16	4-794631-6
25.00	18.00	21.86	14	4-794631-4
22.00	15.00	18.86	12	4-794631-2
19.00	12.00	15.86	10	4-794631-0
16.00	9.00	12.86	8	3-794631-8
13.00	6.00	9.86	6	3-794631-6
10.00	3.00	6.86	4	3-794631-4
7.00	-	3.86	2	3-794631-2
DIM Y	DIM Z	DIM X	NO. OF POSN.	PART NUMBER

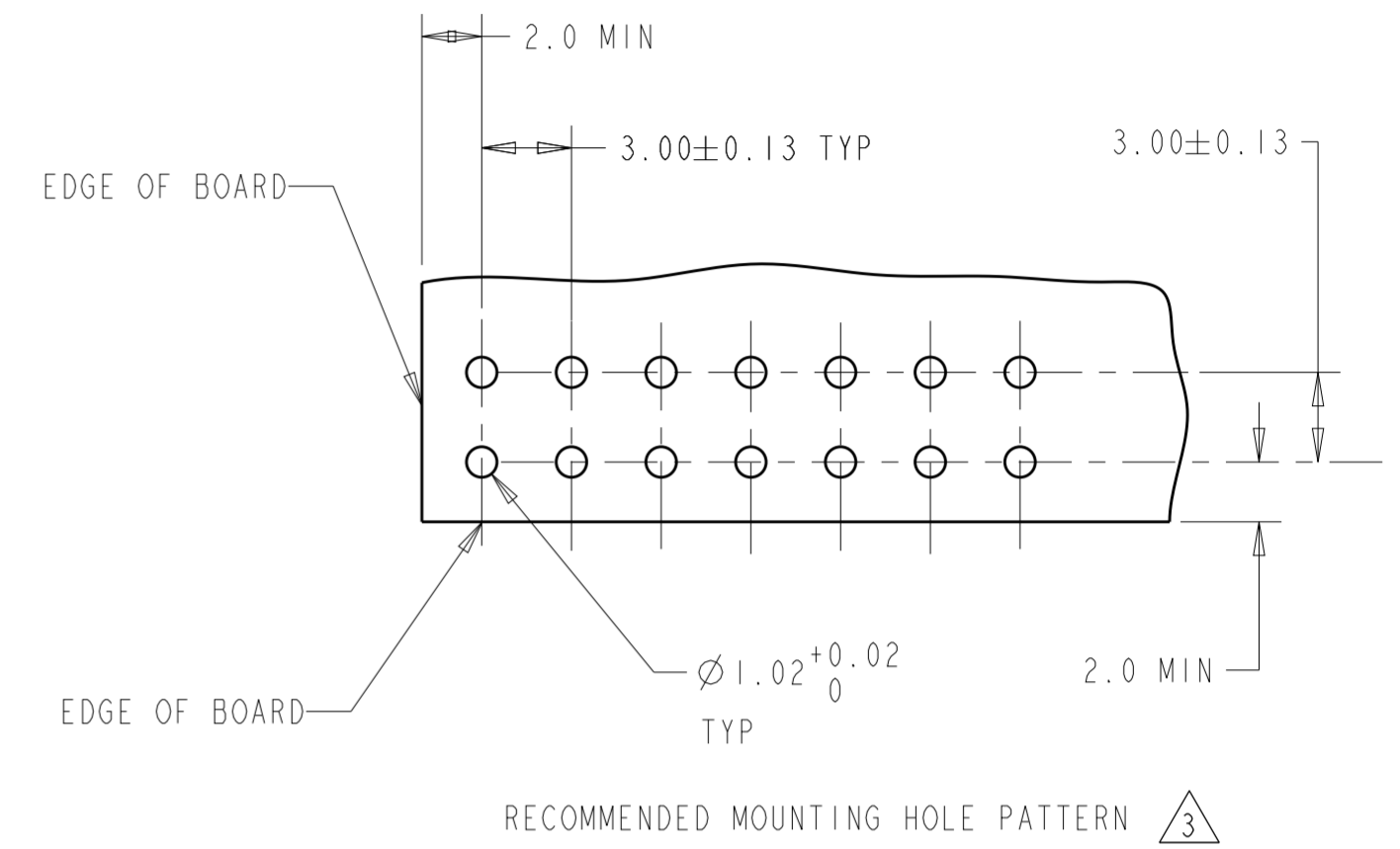
THIS DRAWING IS A CONTROLLED DOCUMENT.		DWN B. HAYMAKER 16AUG99	TE Connectivity	
DIMENSIONS: mm [INCHES]		CHK K. COBLE 16AUG99		
TOLERANCES UNLESS OTHERWISE SPECIFIED:		APVD K. COBLE 16AUG99	NAME VERTICAL HEADER ASSEMBLY, THRU HOLE, 15 GOLD, DUAL ROW, MICRO MATE-N-LOK™	
0 PLC ± 1 PLC ± 2 PLC ±0.20 [0.008] 3 PLC ± 4 PLC ± ANGLES ±1° FINISH		PRODUCT SPEC 108-1836	SIZE A2	
MATERIAL		APPLICATION SPEC 114-13000	CAGE CODE 00779	DRAWING NO G-794631
		WEIGHT -	RESTRICTED TO -	SCALE 4:1
		CUSTOMER DRAWING	SHEET 1	OF 2
			REV E3	


THIS DRAWING IS UNPUBLISHED. RELEASED FOR PUBLICATION
 © COPYRIGHT 20 BY - ALL RIGHTS RESERVED.

REVISIONS				
P	LTR	DESCRIPTION	DATE	APVD
-	-	SEE SHEET 1	-	-



KEYING BY POSITION SIZE



THIS DRAWING IS A CONTROLLED DOCUMENT.		DWN B. HAYMAKER 16AUG99	 TE Connectivity
DIMENSIONS: mm [INCHES]		CHK K. COBLE 16AUG99	
TOLERANCES UNLESS OTHERWISE SPECIFIED:		APVD K. COBLE 16AUG99	NAME VERTICAL HEADER ASSEMBLY, THRU HOLE, 15 GOLD, DUAL ROW, MICRO MATE-N-LOK
0 PLC ±	1 PLC ±	PRODUCT SPEC 108-1836	SIZE A2
2 PLC ±0.20 [.008]	3 PLC ±	APPLICATION SPEC 114-13000	CAGE CODE 00779
4 PLC ±	ANGLES ±1°	WEIGHT -	DRAWING NO. G-794631
FINISH		CUSTOMER DRAWING	RESTRICTED TO -
		SCALE 3:1	SHEET 2 OF 2
			REV E3