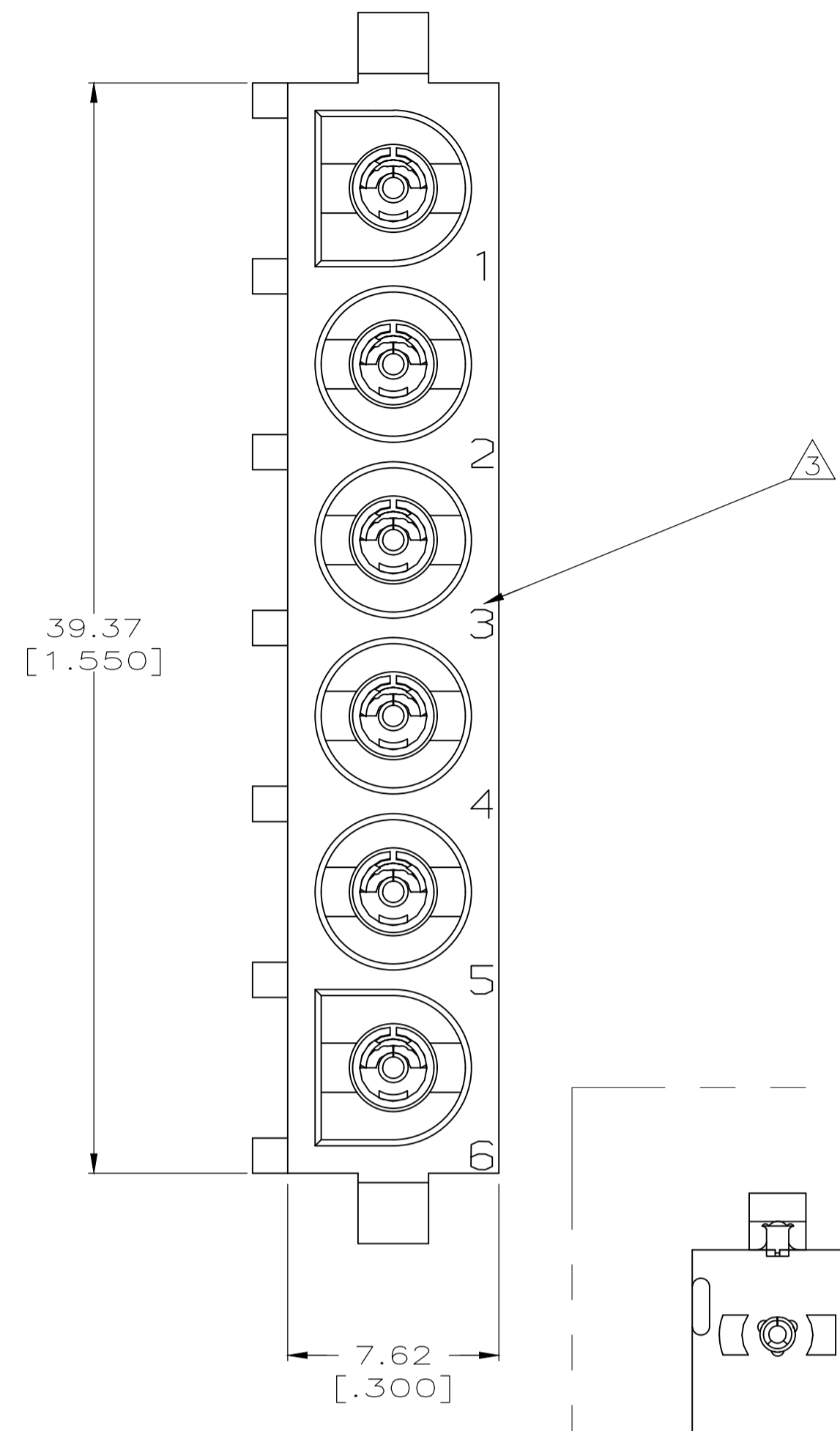
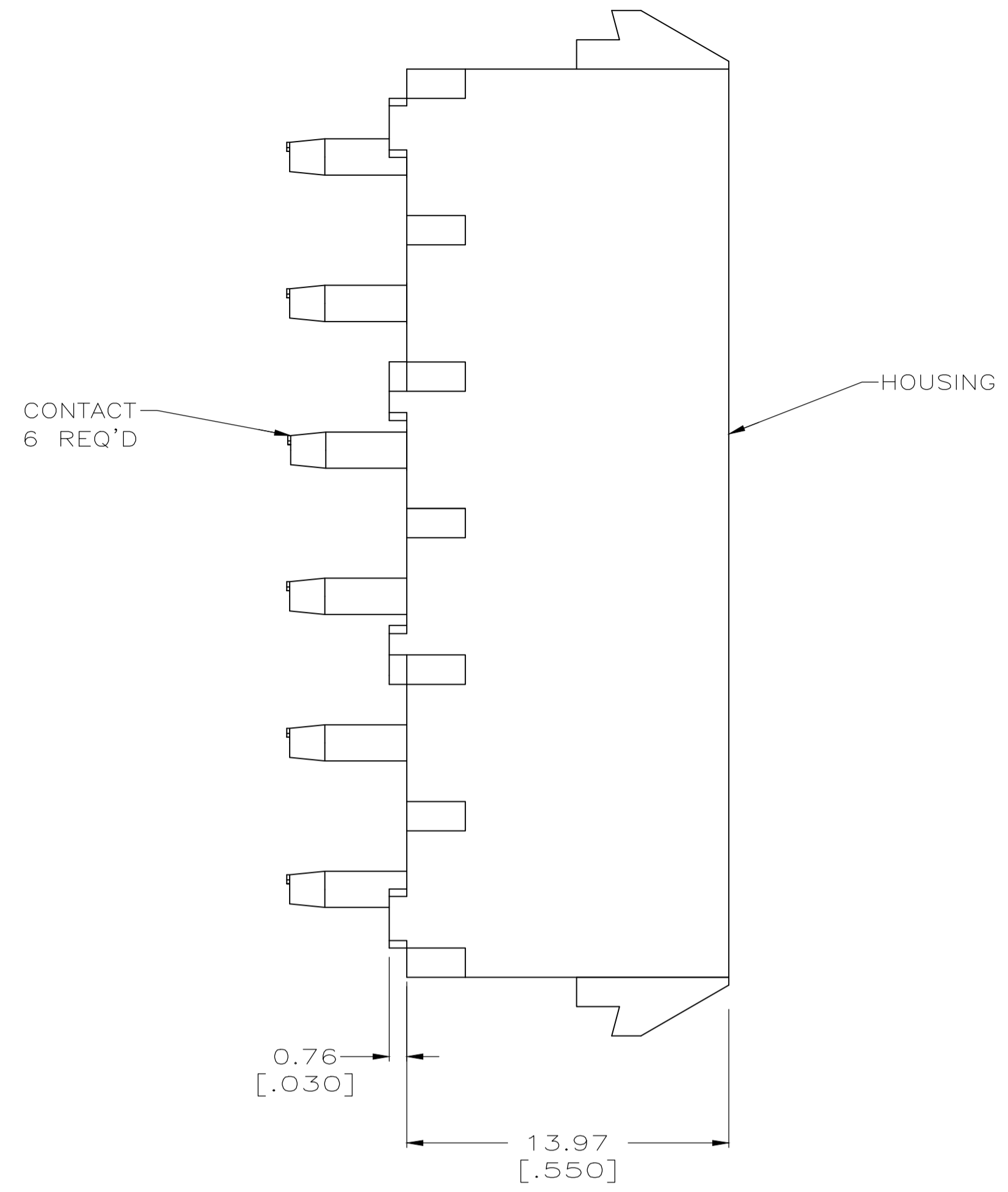
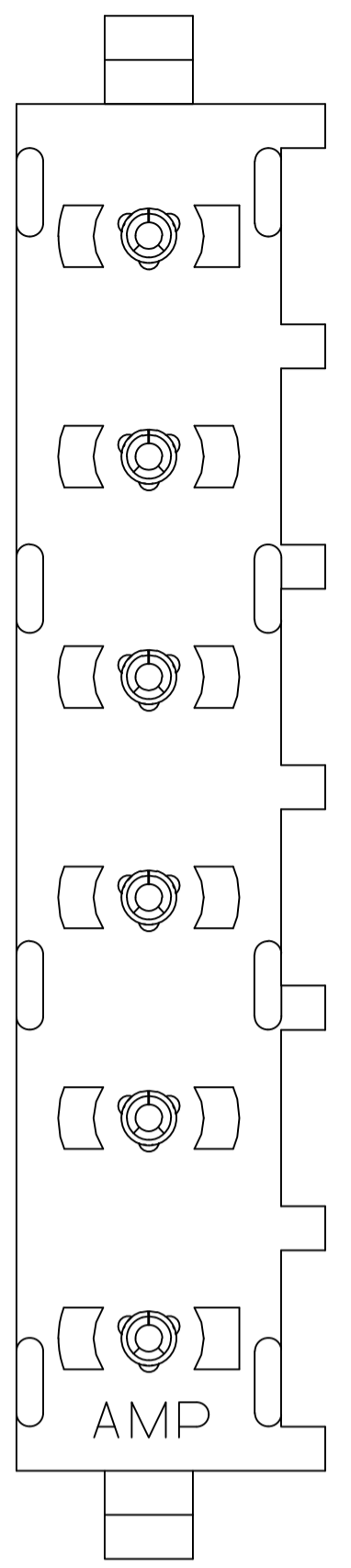
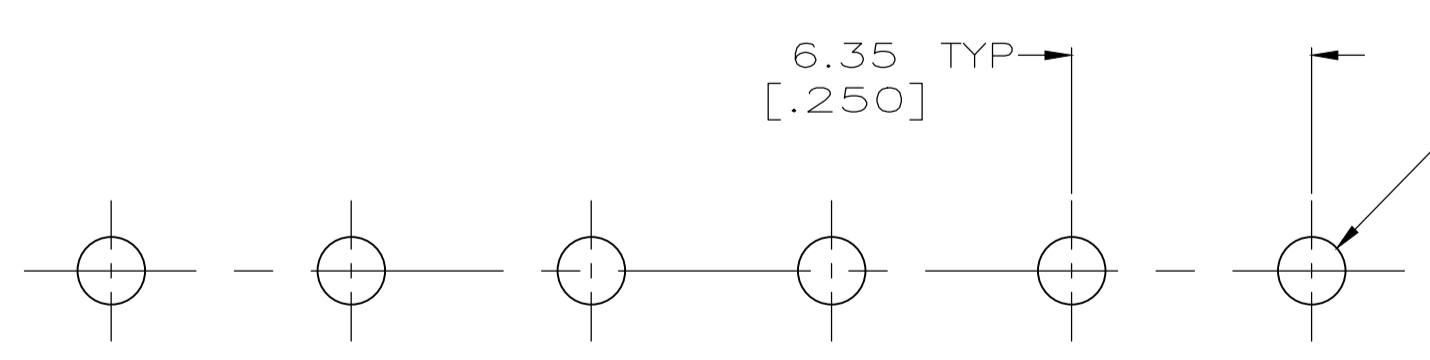
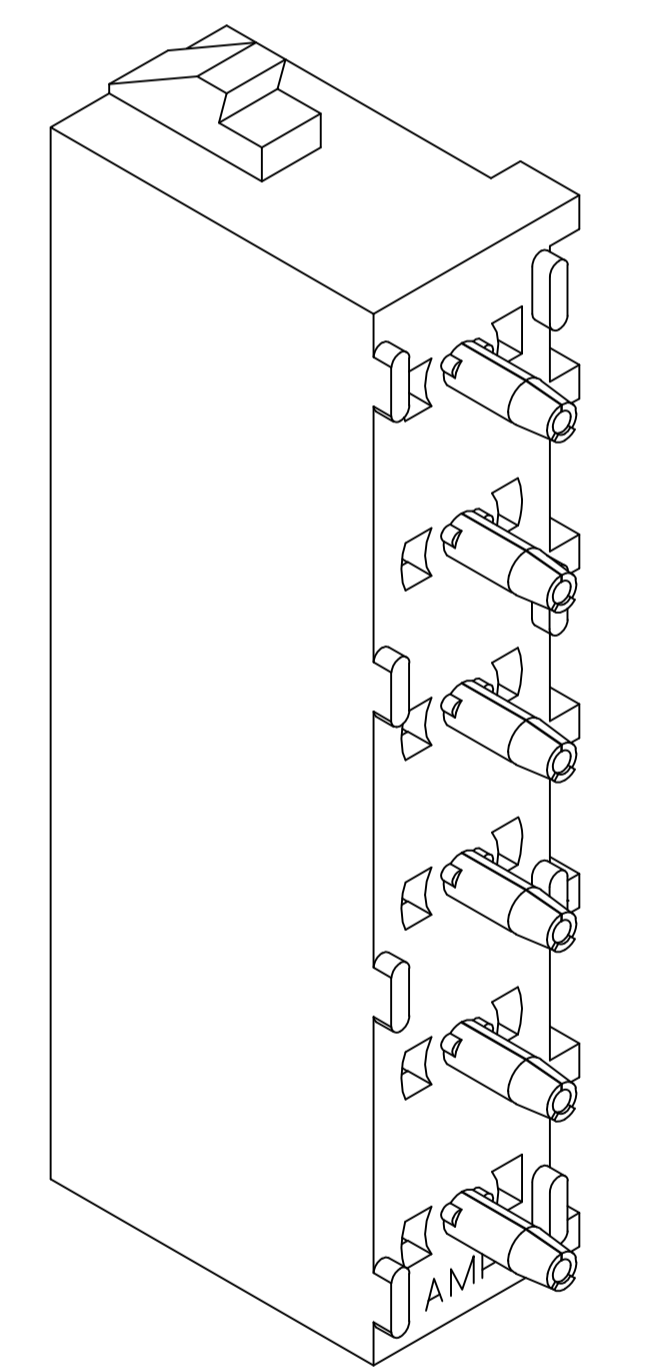
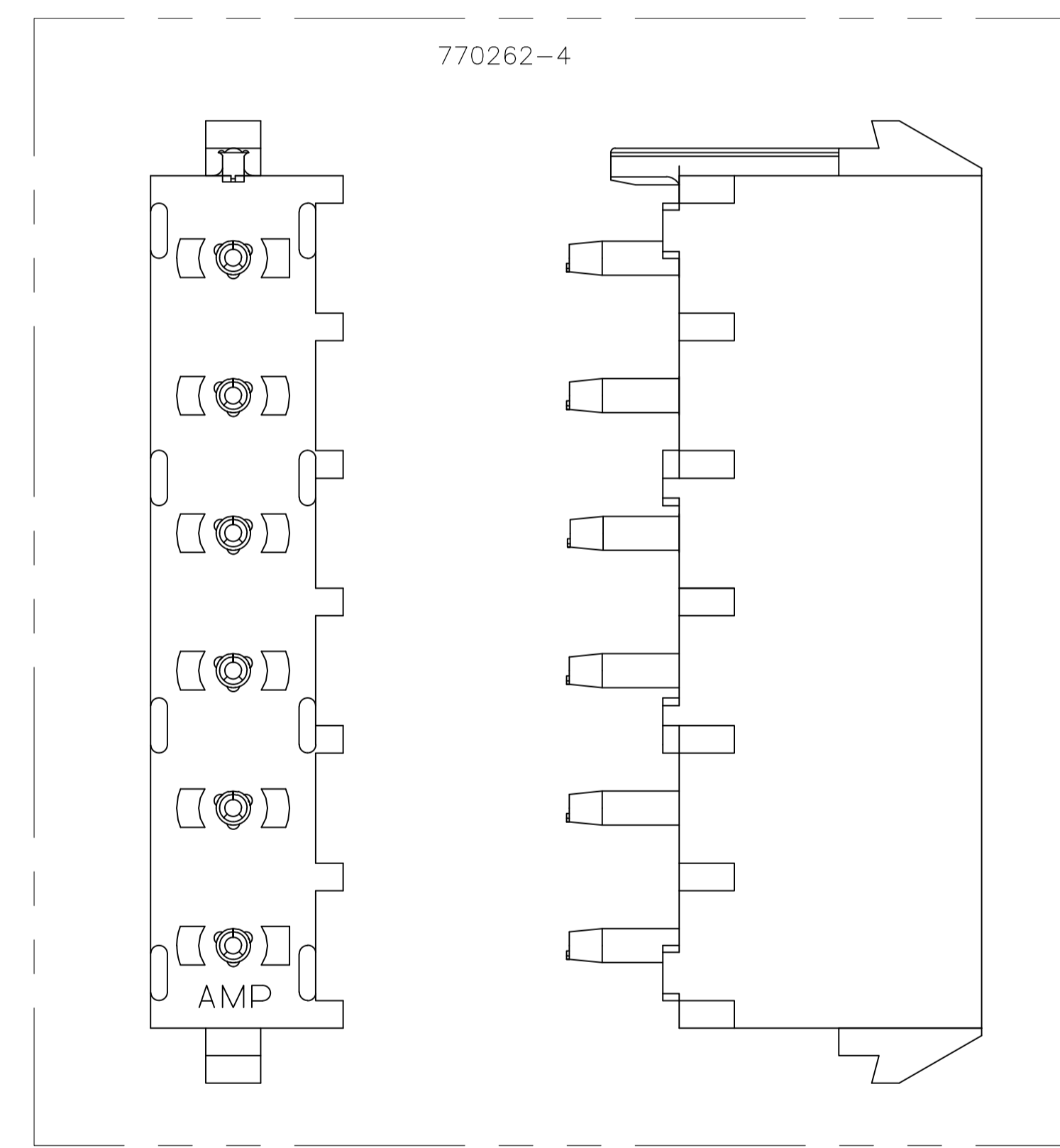
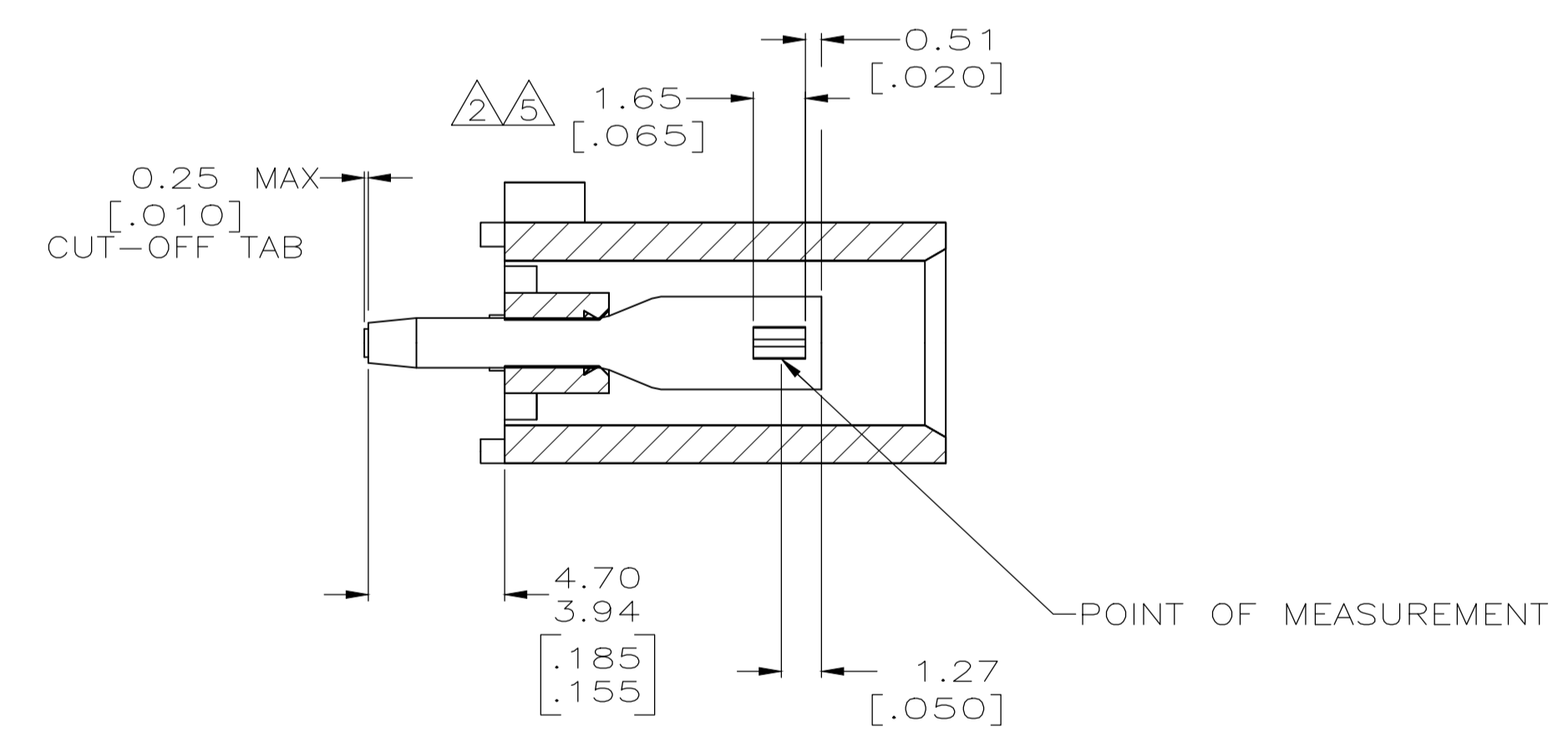


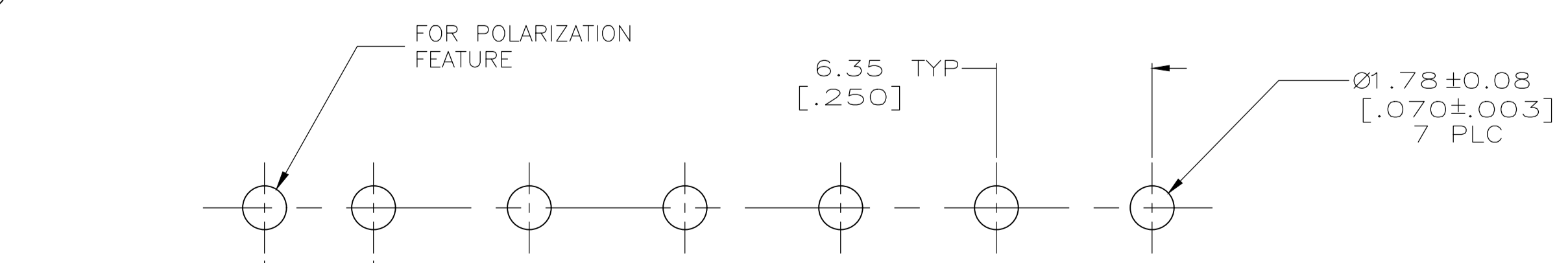
REVISIONS					
P	LTR	DESCRIPTION	DATE	DMN	APVD
F3		REVISED PER ECO-19-009295	21JUN2019	RS	SF



- 1 PARTS COMPLY TO AMP SOLDERABILITY SPECIFICATION 109-11-3.
- 2 CONTACT IS PLATED WITH 0.000127 [.000050] NICKEL, THEN 0.000076 [.000030] GOLD OVER CONTACT LENGTH INDICATED AND MATTE TIN LEAD ON SOLDER TAIL END.
- 3 CIRCUIT IDENTIFICATION CHARACTERS ARE ADJACENT TO THE INDICATED CAVITIES, BUT LOCATION AND ORIENTATION MAY DIFFER FROM PRINT.
- 4 DIMENSIONS IN BRACKETS ARE IN INCHES.
- 5 CONTACT IS PLATED WITH 0.000127 [.000050] NICKEL, THEN 0.000076 [.000030] GOLD OVER CONTACT LENGTH INDICATED AND MATTE TIN ON SOLDER TAIL END.
- 6 SUPERSEDED BY 770262-3



RECOMMENDED MOUNTING HOLE PATTERN FOR 1.57 [.062] THICK P.C. BOARD FOR 770262-1,2,3



RECOMMENDED MOUNTING HOLE PATTERN FOR 1.57 [.062] THICK P.C. BOARD FOR 770262-4

PHOS. PRZ, PRE-TIN	POLARIZED HSG NYLON, UL94V-0, WHITE	770262-4
PHOSPHOR BRONZE, GOLD	NYLON, UL94V-0, WHITE	770262-3
PHOSPHOR BRONZE, GOLD	NYLON, UL94V-0, WHITE	770262-2
PHOSPHOR BRONZE, PRE-TIN	NYLON, UL94V-0, WHITE	770262-1
CONTACT MATERIAL AND FINISH	HOUSING MATERIAL	PART NUMBER

THIS DRAWING IS A CONTROLLED DOCUMENT.

DIMENSIONS: mm [INCHES]	TOLERANCES UNLESS OTHERWISE SPECIFIED:	DIN 9137	10-05-98	REVISED PER ECO-19-009295
0 PLC ± -	1 PLC ± -	2 PLC ± 0.13 [.005]	3 PLC ± -	4 PLC ± -
ANGLES ± 0°30'	APPROVED: M. TRULLI			
MATERIAL: SEE TABLE	FINISH: SEE TABLE	WEIGHT: 0.000000	SIZE: A1	SCALE: 5:1

STE TE Connectivity

SOCKET HEADER ASSEMBLY, 6 CIRCUIT UNIVERSAL MATE-N-LOK™

DRAWING NO: 770262

SHEET 1 OF 1 REV F3