



LAYOUT SHOWN AS EXAMPLE

Keying Shown as example

CHARACTERISTICS

- Standard : Based on MIL-DTL-38999 Series III
- Shell Material : Stainless Steel
- Shell Plating : Nickel
- Insulator : Thermoplastic
- Contacts : Copper Alloy
- Seals & Grommet : Silicon Elastomer
- Contact Plating : Gold over copper Alloy 0.8µm minimum
- Durability : 500 Mating cycles
- Delivered with Souriau contacts and Accessories
- Temperature Range : -65°C to +200°C
- Salt Spray : 500 hours
- Mass : 132.88 g ± 10%

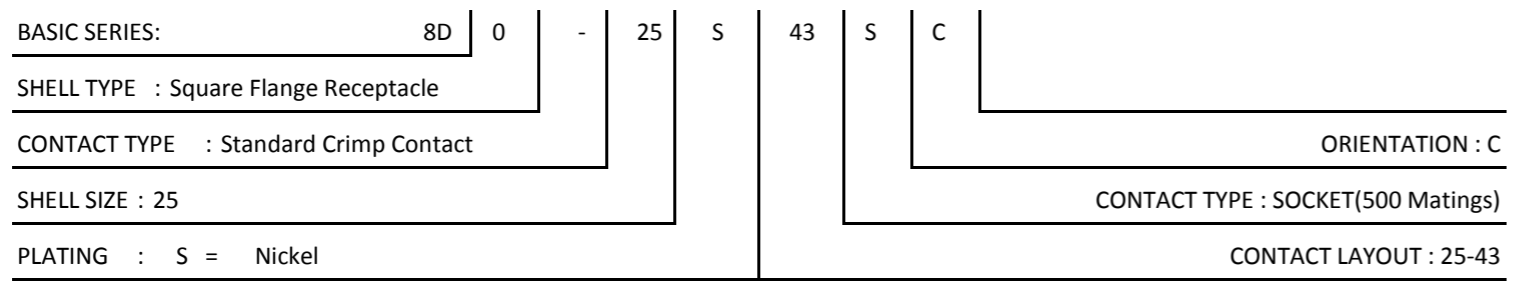
| Connector dimension | |
|---------------------|---------------|
| Dim | Nominal |
| P | 3.91±0.2 |
| PP | 6.15±0.2 |
| R1 | 38.1 |
| R2 | 34.93 |
| S | 46±0.3 |
| V | 20.07+0/-1.25 |
| W | 2.1/3.2 |
| Z | 31.5 Max |
| VV THREAD | M37x1-6g |

SOURIAU shall not be liable for any non-conformity or damage due to a use of the Products which does not comply with the Specifications issued by either of the Parties or by a third party (professional recommendation, technical notice.)

| Country | Jurisdiction & Control List |
|---------|-----------------------------|
| FR | Not Listed |

PN: 8D025S43SC

| | | | |
|----------------|---|--------------------------------|---|
| A | 17-10-2016 | First Release | |
| ISS | DATE | Latest modification - by | MOD N° |
| Designed By: | | Date: | CUSTOMER DRAWING |
| TITLE | Stainless Steel Receptacle 8D series | | |
| SCALE | NA | General linear Tolerances: ±-- | NPRDS / PROJECT 859 |
| SOURIAU | WWW.SOURIAU.COM | | This document is the property of SOURIAU it must not be reproduced or communicated without permission |
| FORMAT | A3 | | SOURIAU DRG N° 8D025S43SC-C |
| | | | SHEET 1/2 |



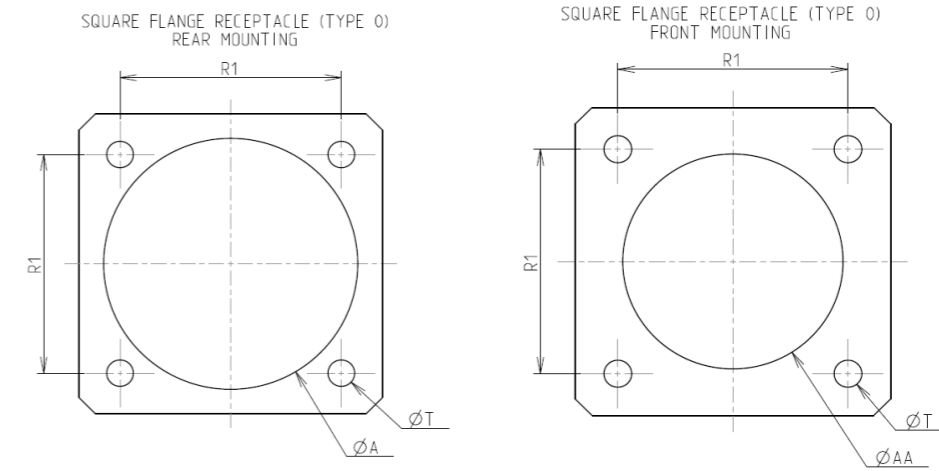
Contact Layout



| Contacts (Insert arrangement 25-43) | | | | | |
|--|--------------|--------------|---------------------|-------------|--------------|
| Contact position ID | Location | | Contact position ID | Location | |
| | X-axis (mm) | Y-axis (mm) | | X-axis (mm) | Y-axis (mm) |
| A | +069 (1.75) | +531 (13.49) | Z | -069 (1.75) | +531 (13.49) |
| B | +203 (5.16) | +495 (12.57) | a | +172 (4.37) | +344 (8.74) |
| C | +324 (8.23) | +425 (10.80) | b | +258 (6.55) | +172 (4.37) |
| D | +424 (10.77) | +326 (8.28) | c | +344 (8.74) | +000 (0.00) |
| E | +493 (12.52) | +205 (5.21) | d | +344 (8.74) | -172 (4.37) |
| F | +531 (13.49) | +069 (1.75) | e | +172 (4.37) | -344 (8.74) |
| G | +531 (13.49) | -069 (1.75) | f | +000 (0.00) | -344 (8.74) |
| H | +493 (12.52) | -205 (5.21) | g | -172 (4.37) | -344 (8.74) |
| J | +424 (10.77) | -326 (8.28) | h | -344 (8.74) | -172 (4.37) |
| K | +324 (8.23) | -425 (10.80) | k | -344 (8.74) | +000 (0.00) |
| L | +203 (5.16) | -495 (12.57) | m | -258 (6.55) | +172 (4.37) |
| M | +000 (0.00) | -531 (13.49) | n | -172 (4.37) | +344 (8.74) |
| N | -203 (5.16) | -495 (12.57) | p | +000 (0.00) | +344 (8.74) |
| P | -324 (8.23) | -425 (10.80) | q | +086 (2.18) | +172 (4.37) |
| R | -424 (10.77) | -326 (8.28) | r | +172 (4.37) | +000 (0.00) |
| S | -493 (12.52) | -205 (5.21) | s | +172 (4.37) | -172 (4.37) |
| T | -531 (13.49) | -069 (1.75) | t | +000 (0.00) | -172 (4.37) |
| U | -531 (13.49) | +069 (1.75) | u | -172 (4.37) | -172 (4.37) |
| V | -493 (12.52) | +205 (5.21) | v | -172 (4.37) | +000 (0.00) |
| W | -424 (10.77) | +326 (8.28) | w | -086 (2.18) | +172 (4.37) |
| X | -324 (8.23) | +425 (10.80) | x | +000 (0.00) | +000 (0.00) |
| Y | -203 (5.16) | +495 (12.57) | | | |

| Shell size | Arrangement no. | Number of contacts | Size contacts | Service rating | Contact location | Supersedes |
|------------|-----------------|--------------------|---------------|----------------|---|------------|
| 25 | -43 | 20 | 16 | I | a.b.c.d.e.f.g.h.k.m. n.p.q.r.s.t.u.v.w.x | MS20057-43 |
| | | 23 | 20 | | All others | |

Panel Cutout



| Dim | Nominal |
|-----|------------|
| ØA | 42.47 min |
| ØAA | 37.69 min |
| R1 | 38.1 |
| ØT | 3.81 ±0.13 |

SOURIAU shall not be liable for any non-conformity or damage due to a use of the Products which does not comply with the Specifications issued by either of the Parties or by a third party (professional recommendation, technical notice.)

| Country | Jurisdiction & Control List |
|---------|-----------------------------|
| FR | Not Listed |

PN: 8D025S43SC

| | | | |
|----------------|---|----------------------------|---|
| A | 17-10-2016 | First Release | |
| ISS | DATE | Latest modification - by | MOD N° |
| Designed By: | | Date: | CUSTOMER DRAWING |
| TITLE | Stainless Steel Receptacle 8D series | | |
| SCALE | | General linear Tolerances: | NPRDS / PROJECT |
| NA | | ±-- | 859 |
| SOURIAU | WWW.SOURIAU.COM | | This document is the property of SOURIAU it must not be reproduced or communicated without permission |
| FORMAT | SOURIAU DRG N° 8D025S43SC-C | | SHEET 2/2 |