

DESCRIPTION: 971 SERIES D-SUB BACKSHELL

BACKSHELL KIT INCLUDES:

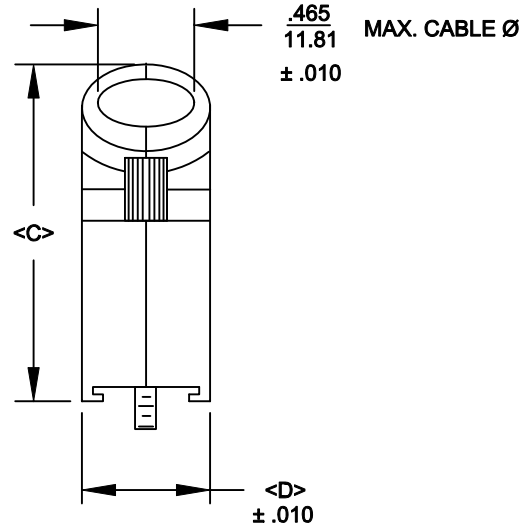
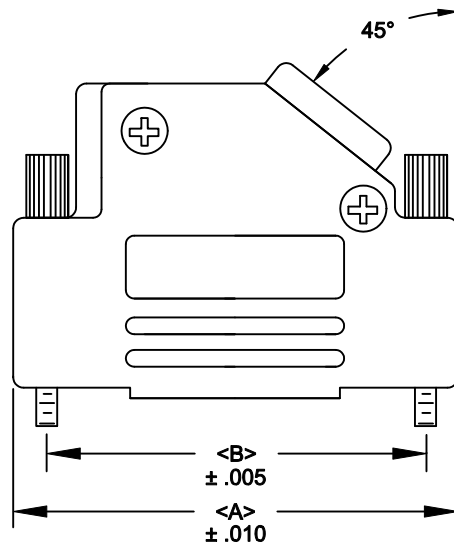
- (2) BACKSHELL HALVES
- (2) 4-40 THUMBSCREWS
- (2) HOUSING SCREWS
- (1) COMPRESSION RING - VARIOUS SIZES
 $\varnothing 0.157$ [4.0], $\varnothing 0.197$ [5.0], $\varnothing 0.276$ [7.0], $\varnothing 0.354$ [9.0]

NOTE: 9 POSITION HAS ONLY 1 THUMBSCREW

(OPPOSITE CABLE ENTRY)

971-YYY-040R011


SERIES	_____	_____	_____	_____
POSITIONS	_____	_____	_____	_____
009	_____	_____	_____	_____
015	_____	_____	_____	_____
025	_____	_____	_____	_____
037	_____	_____	_____	_____
MATERIAL	_____	_____	_____	_____
040 = ZINC	_____	_____	_____	_____
COLOR:	_____	_____	_____	_____
01 = BLACK	_____	_____	_____	_____
PUT-UPS	_____	_____	_____	_____
1 = KIT	_____	_____	_____	_____



POS.	A	B	C	D
9	1.220	.984	1.496	.570
	30.99	24.99	38.00	14.48
15	1.595	1.312	1.618	.570
	40.51	33.32	41.10	14.48
25	2.114	1.852	1.646	.570
	53.70	47.04	41.81	14.48
37	2.748	2.500	1.646	.570
	69.80	63.50	41.81	14.48

MATERIAL: DIE CAST ZINC ALLOY
PLATING: BLACK OVER COPPER
JACKSCREWS: STEEL - BLACK
HOOD SCREWS: STEEL - BLACK
COMPRESSION INSERTS: ABS UL 94-HB
OPERATING TEMP: -30°C TO + 90 °C

RoHS COMPLIANT

	THESE DRAWINGS AND SPECIFICATIONS ARE THE PROPERTY OF NorComp AND SHALL NOT BE REPRODUCED, COPIED OR USED AS THE BASIS FOR THE MANUFACTURE OR SALE OF APPARATUS WITHOUT WRITTEN PERMISSION.		DRAWN: PAM JENKINS	DATE: 6-10-05
	<h1>NorComp</h1>			CHECKED:
SCALE				SHEET 1 OF 1
			DWG NO. 971-YYY-040R011	