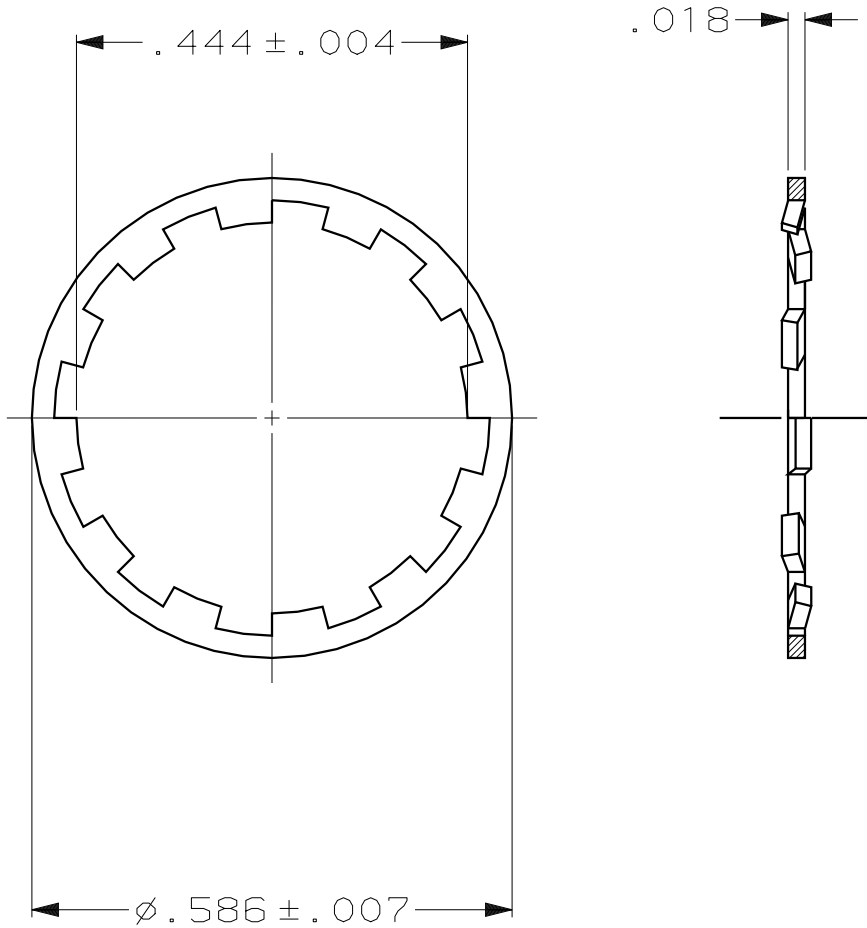


LOC	DIST	REVISIONS			
AJ	16	P	LTR	DESCRIPTION	DATE
					DWN
					APVD

1. COMMERCIAL ITEM.



980506-1
PART NUMBER



RELEASED FOR PUBLICATION

THIS DRAWING IS UNPUBLISHED.

ALL RIGHTS RESERVED.

BY AMP INCORPORATED.

© COPYRIGHT 19

DIMENSIONS: INCHES	DWN	B. MOYER	MATERIAL	PHOSPHOR BRONZE	FINISH	NICKEL PLATE
	CHK	-	 AMP Incorporated Harrisburg, PA 17105-3608			
TOLERANCES UNLESS OTHERWISE SPECIFIED:	APVD	B. MOYER				
0 PLC ±-	PRODUCT SPEC	-	NAME			
1 PLC ±-	APPLICATION SPEC	-	WASHER, LOCK, INTERNAL, TOOTH			
2 PLC ±-			SIZE	CAGE CODE	DRAWING NO	
3 PLC ±-			A4	00779	C=980506	
4 PLC ±-			WEIGHT	-	SCALE	NTS
ANGLES ±-			CUSTOMER DRAWING		SHEET	1 OF 1
					REV	0