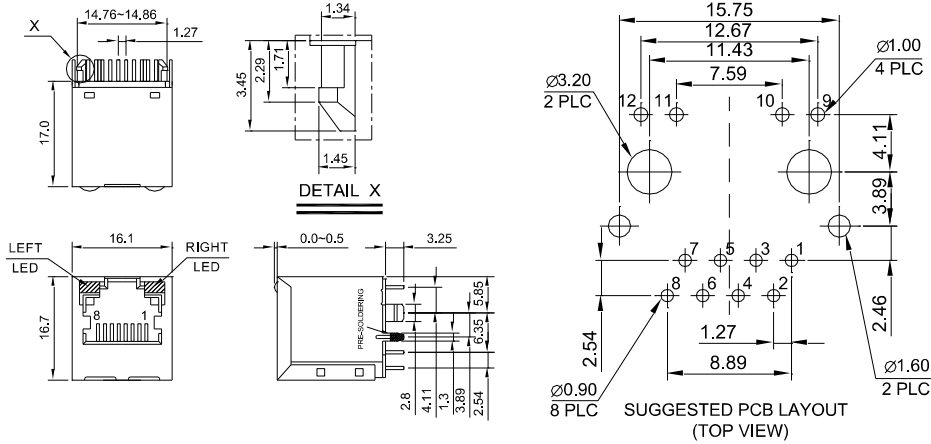


ECN/PCN No.: M1350

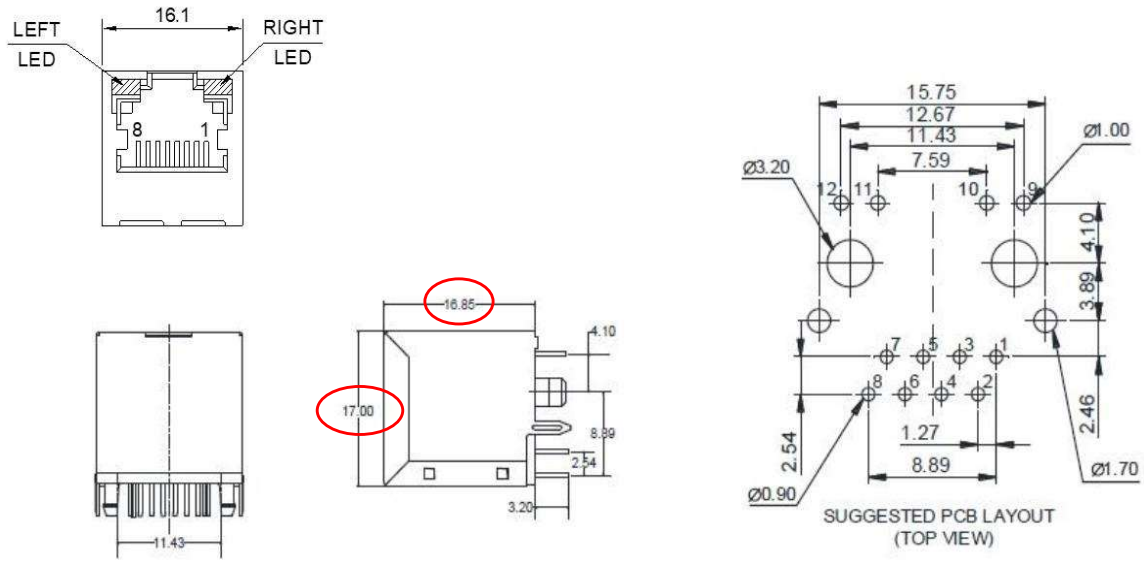
**For Manufacturer**

|  |   |   |
|--|---|---|
| <b>Product Description:</b><br><b>RJ45 10/100 Base-T Vertical with Magnetic Module</b> | <b>Abracon Part Number / Part Series:</b><br><b>ARJ11G Series</b> | <input type="checkbox"/> Documentation only <input checked="" type="checkbox"/> Series<br><input checked="" type="checkbox"/> ECN <input type="checkbox"/> Part Number(s)<br><input type="checkbox"/> EOL |
| <b>Affected Revision:</b><br>B   | <b>New Revision:</b><br>C   | <b>Application:</b><br><input type="checkbox"/> Safety<br><input checked="" type="checkbox"/> Non-Safety  |

**Prior to Change:**  
MA configuration

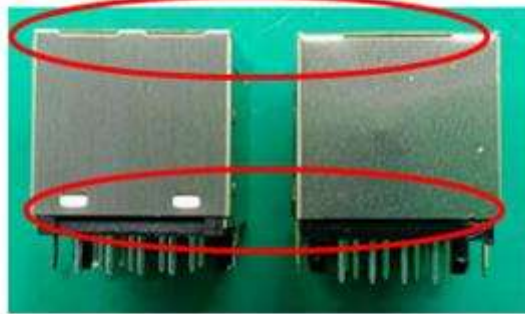
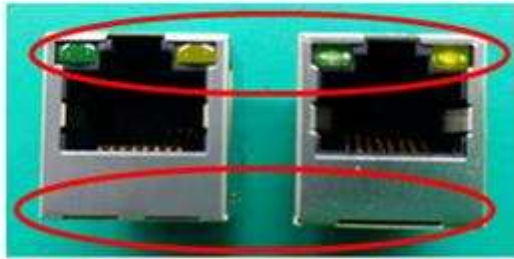


**After Change:**  
MA Configuration



Cosmetic Differences

**Before    After**



|  |   |                                  |
|--|---|----------------------------------|
| <b>Cause/Reason for Change:</b><br>Raw material supply chain required change to different shield/shell.  |   |                                  |
| <b>Change Plan</b>   |   |                                  |
| <b>Effective Date:</b><br>4/25/2022  | <b>Additional Remarks:</b>                  |                                  |
| <b>Change Declaration:</b><br>Outline of MA configuration has changed slightly and attention must be placed on impact to customer panel cutout. There are slight cosmetic differences as well.<br>The changes here do not affect the products electrical function. |   |                                  |
| <b>Issued Date:</b><br>4/25/2022   | <b>Issued By:</b>                           | <b>Issued Department:</b>        |
| <b>Approval:</b>   | <b>Approval:</b>                            | <b>Approval:</b>                 |
| <b>For Abracon EOL only</b>  |   |                                  |
| <b>Last Time Buy (if applicable):</b>  | <b>Alternate Part Number / Part Series:</b> |                                  |
| <b>Additional Approval:</b>  | <b>Additional Approval:</b>                 | <b>Additional Approval:</b>      |
| <b>Customer Approval (If Applicable)</b>   |   |                                  |
| <b>Qualification Status:</b><br><div style="text-align: center;"><input type="checkbox"/> Approved <input type="checkbox"/> Not accepted</div> <i>Note: It is considered approved if there is no feedback from the customer 1 month after ECN/PCN is released.</i> |   |                                  |
| <b>Customer Part Number:</b>   | <b>Customer Project:</b>                    |                                  |
| <b>Company Name:</b>   | <b>Company Representative:</b>              | <b>Representative Signature:</b> |
| <b>Customer Remarks:</b>   |   |                                  |