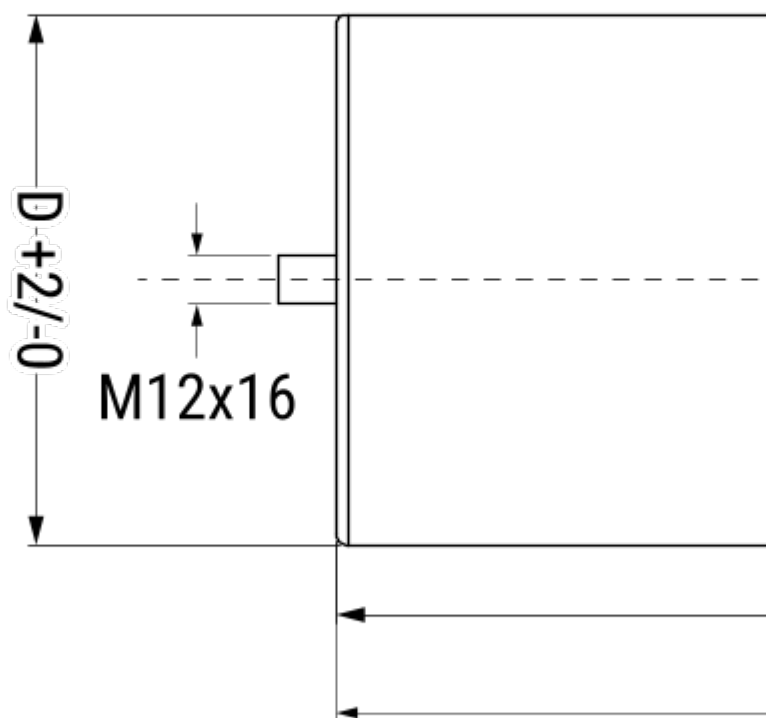
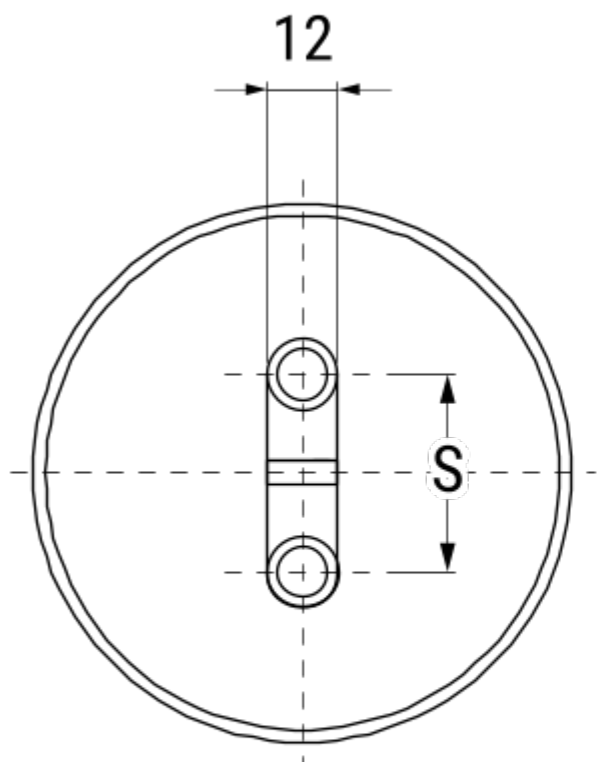


C44UHGT7110M85K

C44U-M, Film, Metallized Polypropylene, DC Link, 1100 uF, 10%, 600 VDC



Click [here](#) for the 3D model.

Dimensions

- D 85mm +2mm
- L 144.5mm +/-2mm
- L1 146mm +/-2mm
- S 32mm +/-0.3mm
- D1 88mm +0.5mm

Packaging Specifications

Mounting Bolt - M12x16
Packaging Bulk, Bag
Packaging Quantity 5

General Information

Series C44U-M
Dielectric Metallized Polypropylene
Style Can
Features DC Filtering, Energy Storage
RoHS With Exemptions
REACH SVHC (Pb – CAS 7439-92-1)
SCIP Number cc1c1ec4-db9e-4815-b26b-e8a34ddfb776
Lead Screw Terminals M6
AEC-Q200 No
Component Weight 1120 g
Miscellaneous Thermal Resistance = 5.1 C/W. Weight = 5600 grams.

Specifications

Capacitance 1100 uF
Capacitance Tolerance 10%
Voltage DC 600 VDC
Temperature Range -40/+85°C
Rated Temperature 75°C
Insulation Resistance 30 MOhms
Max dV/dt 3 V/us
Resistance 1.8 mOhms (10kHz)
Ripple Current 57 Amps (10kHz 40C), 3615 Amps (Peak)
Inductance 55 nH

Statements of suitability for certain applications are based on our knowledge of typical operating conditions for such applications, but are not intended to constitute - and we specifically disclaim - any warranty concerning suitability for a specific customer application or use. This Information is intended for use only by customers who have the requisite experience and capability to determine the correct products for their application. Any technical advice inferred from this Information or otherwise provided by us with reference to the use of our products is given gratis, and we assume no obligation or liability for the advice given or results obtained.

Generated 5/18/2023 - 7efe3bd0-2513-4261-806d-f329527a0b7f

© 2006 - 2023 KEMET

Generated 5/18/2023 - 7efe3bd0-2513-4261-806d-f329527a0b7f

© 2006 - 2023 KEMET