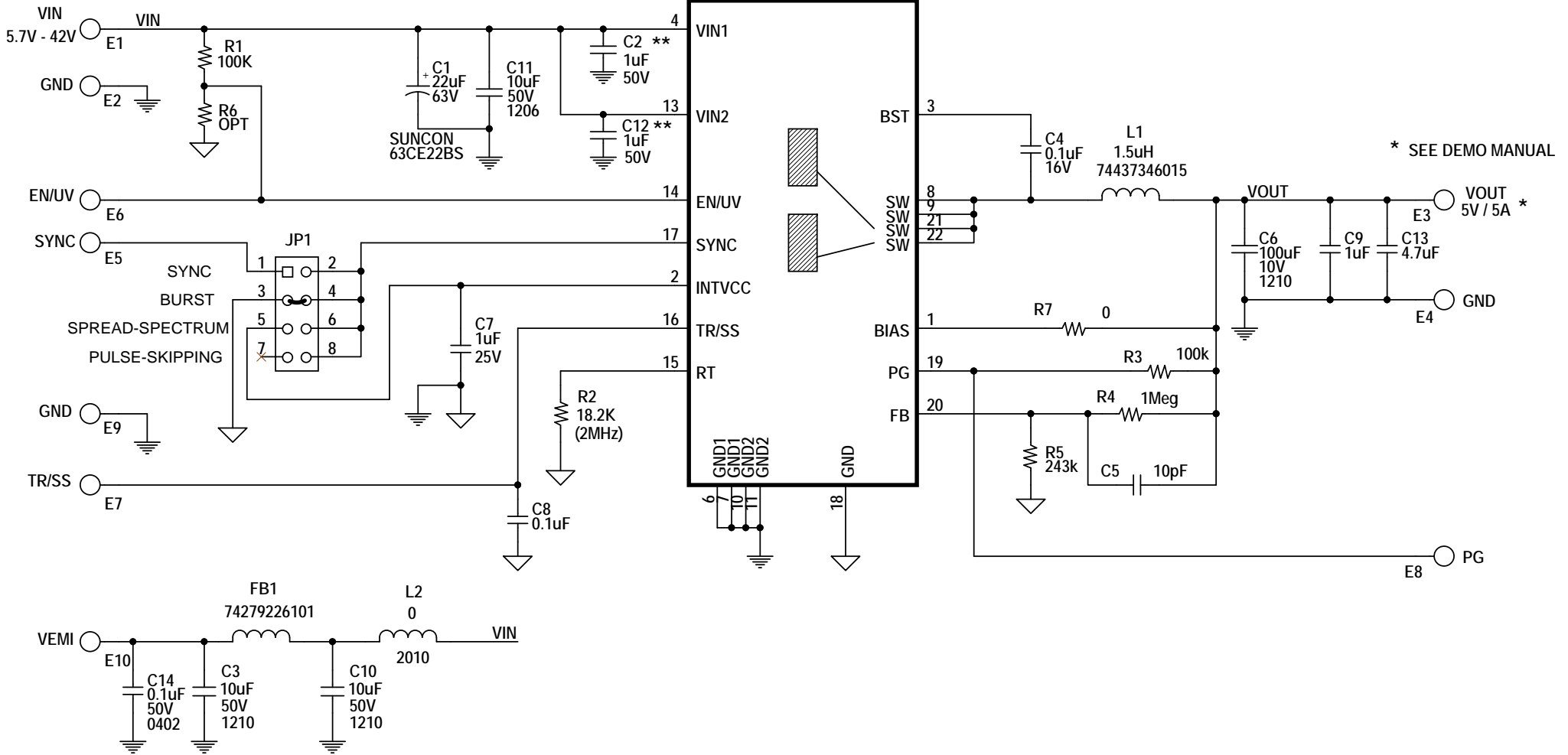


** C2 SHOULD BE PLACED BETWEEN VIN1 AND GND1. C12 SHOULD BE PLACED BETWEEN VIN2 AND GND2. THESE CAPACITORS MUST BE PLACED AS CLOSE AS POSSIBLE TO LT8640.

U1
LT8640EUDC



NOTES: UNLESS OTHERWISE SPECIFIED
 1. ALL RESISTORS ARE 0603.
 ALL CAPACITORS ARE 0603.

CUSTOMER NOTICE

LINEAR TECHNOLOGY HAS MADE A BEST EFFORT TO DESIGN A CIRCUIT THAT MEETS CUSTOMER-SUPPLIED SPECIFICATIONS; HOWEVER, IT REMAINS THE CUSTOMER'S RESPONSIBILITY TO VERIFY PROPER AND RELIABLE OPERATION IN THE ACTUAL APPLICATION. COMPONENT SUBSTITUTION AND PRINTED CIRCUIT BOARD LAYOUT MAY SIGNIFICANTLY AFFECT CIRCUIT PERFORMANCE OR RELIABILITY. CONTACT LINEAR TECHNOLOGY APPLICATIONS ENGINEERING FOR ASSISTANCE.



1630 McCarthy Blvd.
 Milpitas, CA 95035
 Phone: (408)432-1900 www.linear.com
 Fax: (408)434-0507
 LTC Confidential-For Customer Use Only

TITLE: SCHEMATIC
 42V, 5A MICROPPOWER SYNCHRONOUS
 STEP-DOWN SILENT SWITCHER

SIZE N/A	IC NO. LT8640EUDC DEMO CIRCUIT 2202A	REV. 3
DATE: Thursday, November 20, 2014		SHEET 1 OF 1

THIS CIRCUIT IS PROPRIETARY TO LINEAR TECHNOLOGY AND SUPPLIED FOR USE WITH LINEAR TECHNOLOGY PARTS.