

Type LPM-11 In-Line Fuse Holder Mini Auto Blade Fuses Splashproof Type



www.optifuse.com (619) 593-5050

Ratings:

- Fuse Type:** Mini Auto Blade – APMs, ANMs
- Electrical Rating:** 58V
- Body:** PVC
- IP Rating:** IP66
- Wire Type:** UL1015
- Wire Gauges:** See Wire Gauge Table
- Wire Colors:** Red
- Body colors:** Clear (for Indicating Fuses)
- Standard Wire Length:** 4 inches

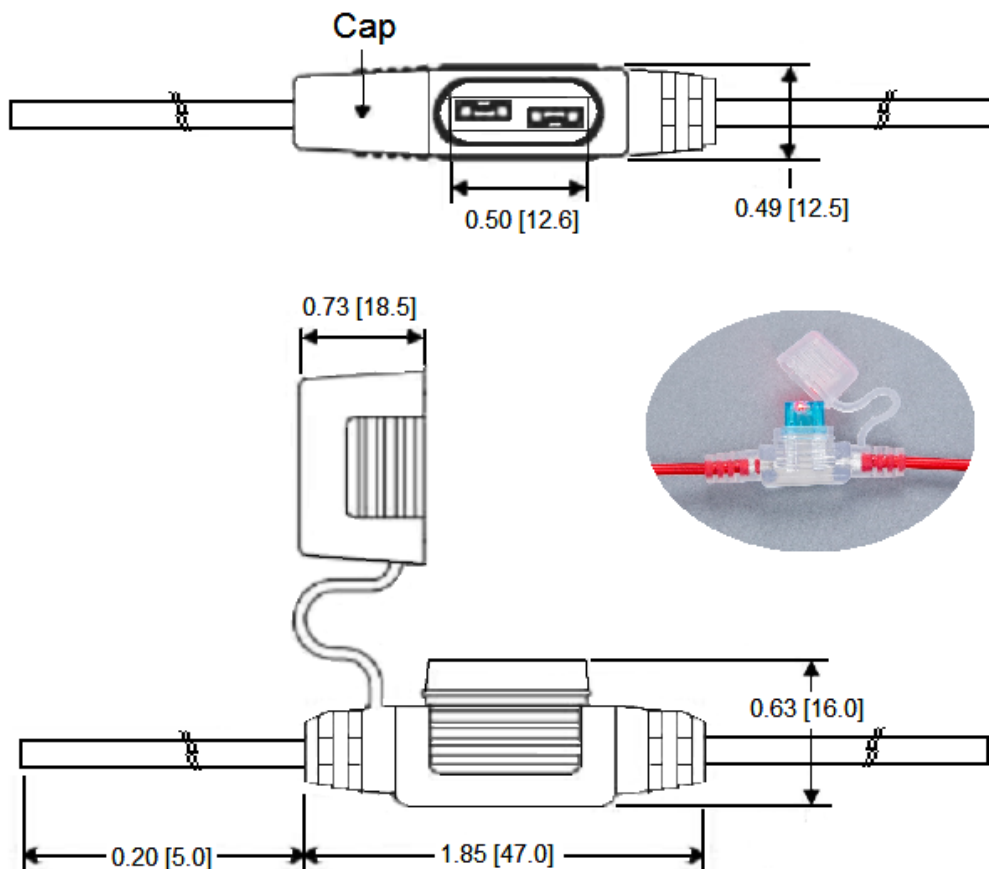
Part number format

LPM-01C-##R

Where ## = Wire gauge

Wire Gauge	Max. Amperage
12 AWG	30 A
14 AWG	20 A
16 AWG	15 A
18 AWG	10 A

Mechanical Dimensions: Inches [mm]



Warning:



- Operation beyond the specified maximum ratings or improper use may result in damage and possible electrical arcing and/or flame.
- Avoid contact of device with chemical solvent. Prolonged contact may damage the device performance.
- Not designed for prolonged liquid exposure or submersible applications.