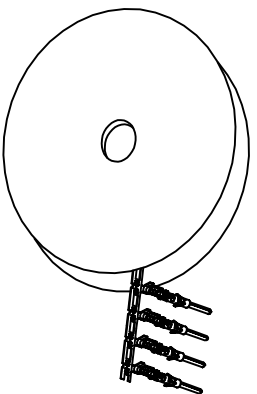


REVISIONS				
REV	ECO	DESCRIPTION	DATE	BY APPR
A1	-	RELEASED DRAWING	Jul-16-18	Flan Tommy



CONTACT ORIENTATION ON ROLL(3000PCS/COIL)

NOTES : (UNLESS OTHERWISE SPECIFIED)  
1. MATERIAL :

- 1.1. CONTACT BODY : COPPER ALLOY.
- 1.2. OUTER SPRING : STAINLESS STEEL.

2. SPECIFICATIONS :

- 2.1 CURRENT RATING : 13A MAX.
- 2.2 TERMINATION TYPE : CRIMPING.
- 2.3 WIRE RANGE : 18~16AWG.
- 2.4 WIRE INSULATION DIA(MAX) :  $\phi$ 3.2mm.

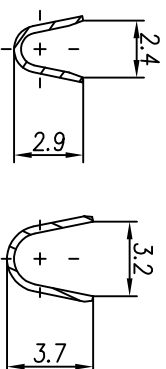
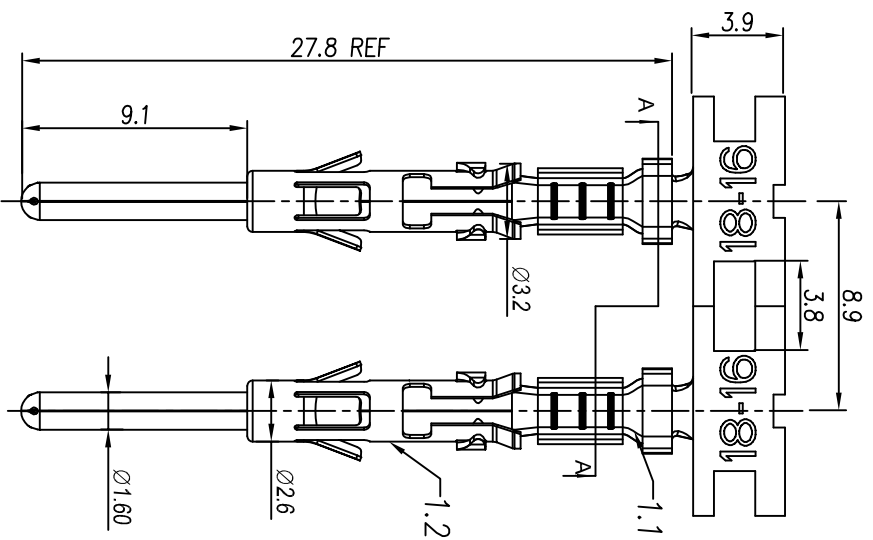
3. RoHS COMPLIANT.

4. ALL DIMENSIONS ARE FOR REFERENCE USE ONLY.

5. AVAILABLE TOOLS :

- 5.1 HAND CRIMPER : MFX-3954.
- 5.2 CRIMP APPLICATOR : MFX-3957.
- 5.3 EXTRACTION TOOL : QXRT16.

P/N	CONTACT PLATING(MATING AREA)
SP16M2T	TIN PLATING OVER NICKEL.
SP16M2N	NICKEL PLATING OVER COPPERIZE.
SP16M2F	GOLD FLASH PLATING OVER NICKEL.
SP16M2G5	5 $\mu$ "GOLD PLATING OVER NICKEL.
SP16M2G10	10 $\mu$ "GOLD PLATING OVER NICKEL.
SP16M2G15	15 $\mu$ "GOLD PLATING OVER NICKEL.
SP16M2G30	30 $\mu$ "GOLD PLATING OVER NICKEL.



SECTION A-A

QUANTITY	PART NUMBER	DESCRIPTION	ITEM
<b>MATERIALS LIST</b>			
UNLESS OTHERWISE SPECIFIED 1) All dimensions are in millimeters. 2) Tolerances are as follows: 1) Pl. DEC 20.30 Fractions .1"=14 3) Note reference = $\Delta$			
PROCESS SPECIFICATIONS: MATERIAL SPECIFICATIONS: CUSTOMER: Tommy APPROVAL: Jul-16-18		THIS DRAWING IS SUPERSEDED BY: SPECIFICATIONS AND PERFORMANCE DATA OF REPRODUCTION ARE ILLUSTRATED. ALL MANUFACTURING VARIATIONS.	
DRAWN: Flan CHECKED: Jod ENGINEER: Tommy APPROVAL: Jul-16-18		Sine Systems - www.amphenol-sine.com 44724 Morley Drive Clinton Township, MI 48036	
SIZE: B TYPE: C- SCALE: NONE		ECO-MATE PIN CONTACT, STAMPED, 18-16AWG, SIZE 16 <b>Amphenol</b> SP16M2XX A1	
NEXT ASSY:		SHEET 1 OF 1	

