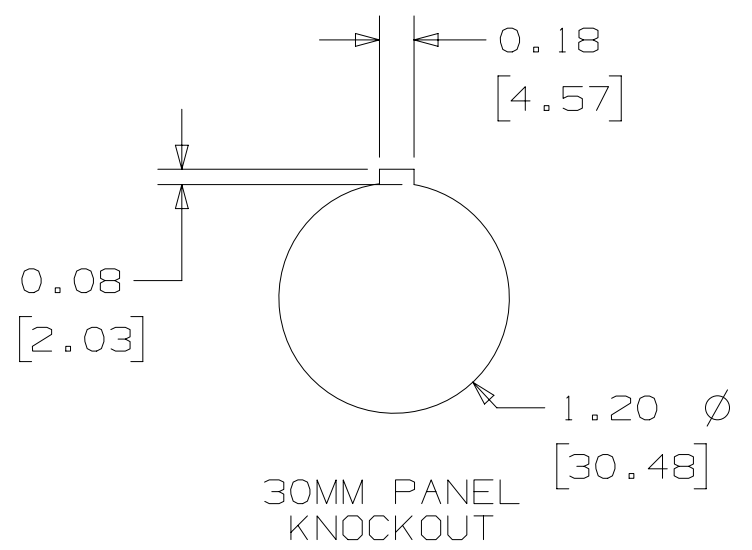


VS2-AVT-3IB



VS2-AVT-1IB



**NOTES:**

**READ PRODUCT INSTRUCTIONS BEFORE USING BATTERY AND SYSTEM CABLE NOT INCLUDED**

**PANDUIT PART NO.:**  
**VS2-AVT-1IB**  
**(SINGLE PHASE INDICATOR MODULE)**

**VS2-AVT-3IB**  
**(THREE PHASE INDICATOR MODULE)**

**FOR USE WITH VS2-AVT-\* PART NUMBERS**

**Degree of Protection:**  
**TYPE (UL, NEMA, CSA) 1, 12, 4, 4X, 13, IP66, IP67**

**Weight**  
**VS2-AVT-1IB: 50 gms / 0.11lbs**  
**VS2-AVT-3IB: 50 gms / 0.11lbs**

REV	DATE	BY	CHK	APR	DESCRIPTION	ECN
0	4/6/22	DFA	ZSG	MSAD	INITIAL RELEASE	GAECN06491

TITLE <b>VERISAFE 2.0 BATTERY - POWERED INDICATOR MODULE</b> (THREE PHASE AND SINGLE PHASE) CUSTOMER DRAWING			
ITEM REVISION NAME 18I216AY/01			
DATASET FILE NAME 18I216AY_DC/01			
UNLESS OTHERWISE SPECIFIED, DIMENSIONAL TOLERANCES ARE: IN [mm] .x ± .06 [1.5]      .xxx ± .010 [.25] .xx ± .02 [.5]      ANGLES ± 5°			
DRAWN BY DFA		DATE 4/6/22	
CHK ZSG		SCALE MSAD	
THIRD ANGLE PROJECTION			DRAWING NUMBER: 18I216AY_DC
SHT 1 OF 1			SIZE B

D10100DBV17