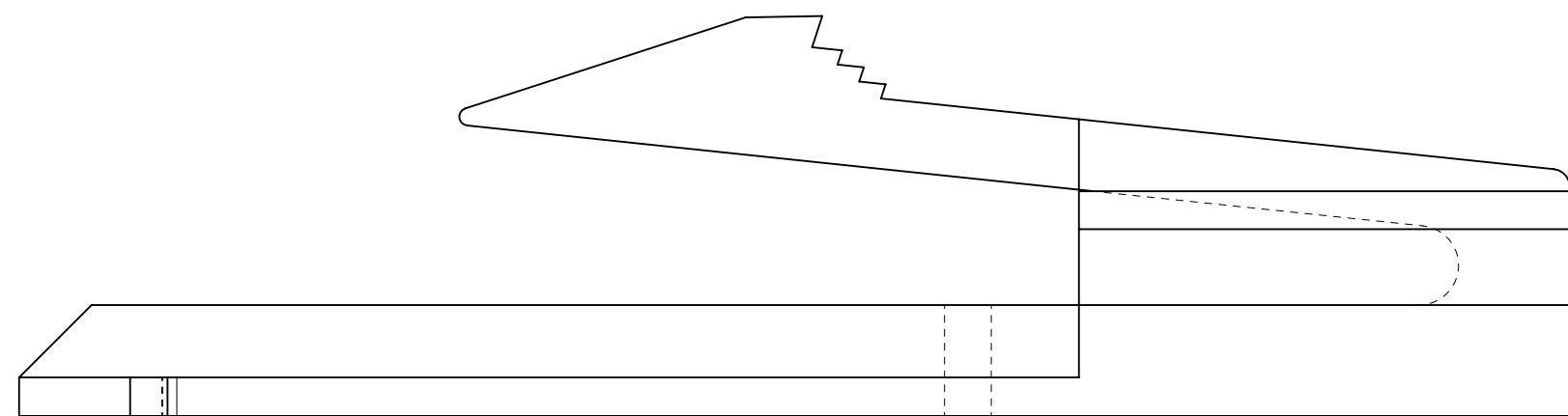
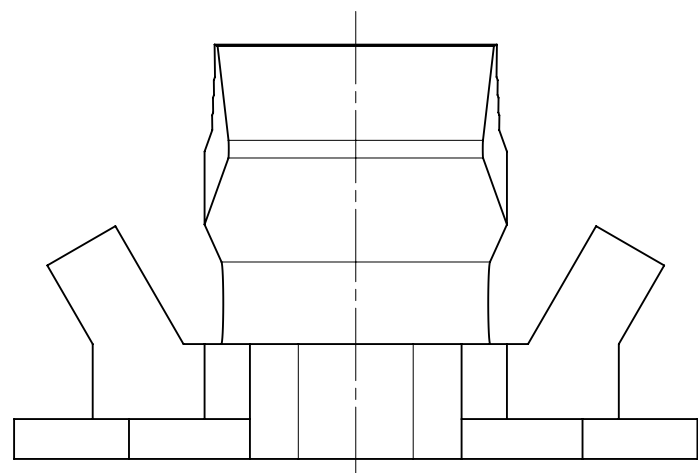
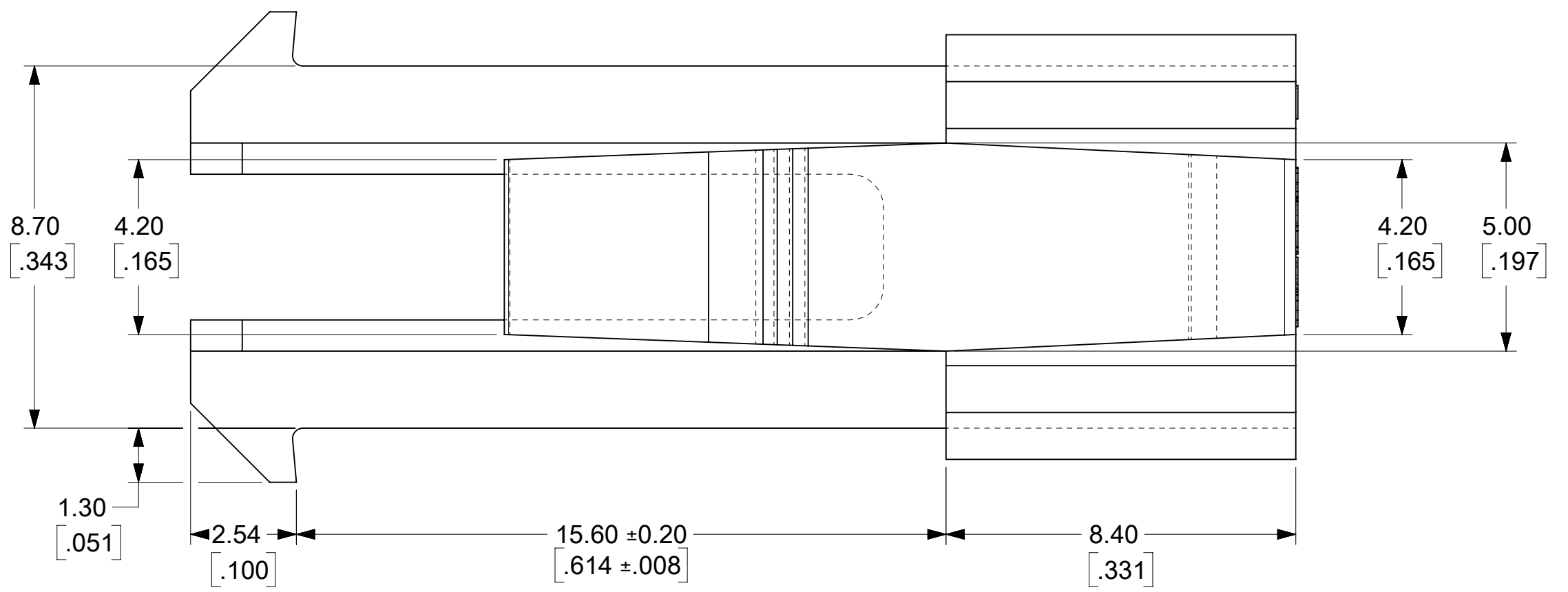


SCALE 5:1



NOTES:

1. MATERIAL: UNFILLED POLYESTER, U.L. 94V-0, COLOR: BLACK.
2. PART IS FOR USE WITH PLUG HOUSING 30068.
3. PRODUCT SPECIFICATION: PS-5556-003.
4. PACKAGING SPECIFICATION: PK-43130-001.

FUNCTIONAL SYMBOLS	THIS DRAWING CONTAINS INFORMATION THAT IS PROPRIETARY TO MOLEX ELECTRONIC TECHNOLOGIES, LLC AND SHOULD NOT BE USED WITHOUT WRITTEN PERMISSION									
	DIMENSION UNITS		SCALE		CURRENT REV DESC: CORRECT VIEWS, ADD 4.20 DIM.					
$\nabla_A = 0$	MM/INCH		8:1		EC NO: 719129 DRWN: RICARC13 2022/08/24 CHK'D: MKIPPER 2022/08/25 APPR: FSMITH 2022/08/25 INITIAL REVISION: DRWN: RFC_PLMIMP 2018/11/02 APPR: FSMITH 2010/03/08					
$\nabla_C = 0$	GENERAL TOLERANCES (UNLESS SPECIFIED)									
$\nabla_P = 0$			MM	INCH						
DIVISIONAL SYMBOLS	4 PLACES	±	±							
	3 PLACES	±	±	0.01						
	2 PLACES	±	0.25	± 0.015						
	1 PLACE	±	0.38	±						
	0 PLACES	±	±							
	ANGULAR TOL		± 0.5 °							
DRAFT WHERE APPLICABLE MUST REMAIN WITHIN DIMENSIONS		THIRD ANGLE PROJECTION		DRAWING	SERIES	DOCUMENT NUMBER		DOC TYPE	DOC PART	REVISION
				C-SIZE	43130	SD-43130-0001		PSD	001	C
						MATERIAL NUMBER		CUSTOMER		SHEET NUMBER
						43130-0001		GENERAL MARKET		1 OF 1

**molex**

MOUNTING EAR FOR PLUG HOUSING. (MINI-FIT T.P.A. SERIES)

PRODUCT CUSTOMER DRAWING