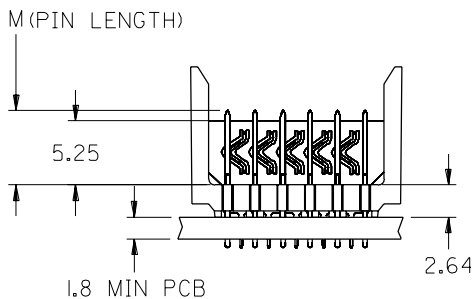
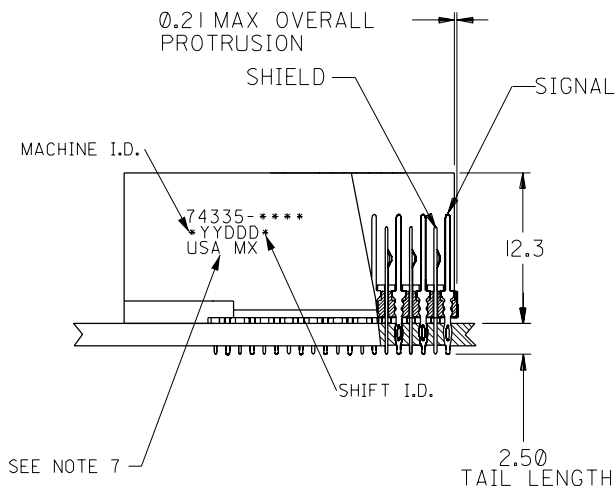
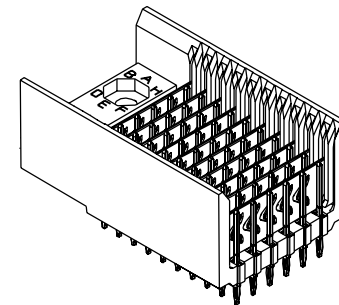


BACKPLANE HOLE PATTERN  
RECOMMENDED DIMENSIONS



NOTES:

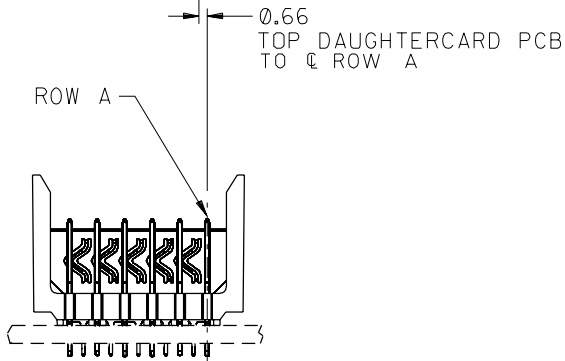
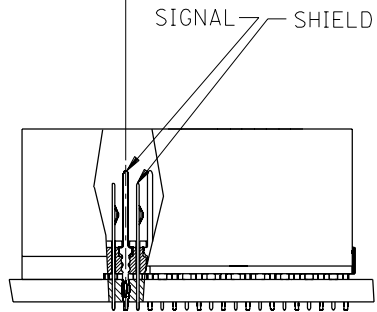
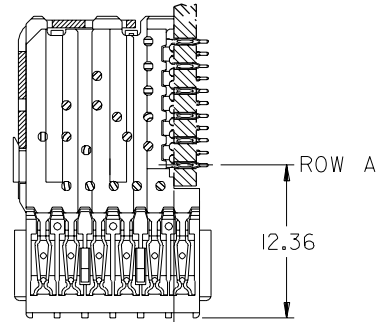
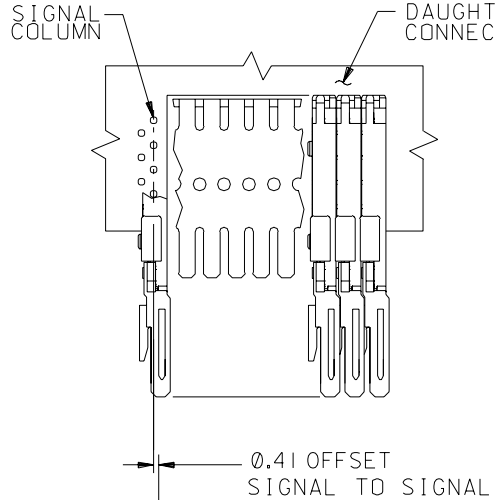
- MATERIALS:  
HOUSING - LIQUID CRYSTAL POLYMER (LCP),  
GLASS-FILLED, UL 94V-0, COLOR: BLACK.  
SIGNAL PIN & SHIELD - COPPER ALLOY.
- FINISHES:  
SELECTIVE GOLD (Au) IN CONTACT AREA;  
SELECTIVE TIN/LEAD (Sn/Pb) ON PCB TAILS AND  
NICKEL (Ni) OVERALL.
- THIS PART CONFORMS TO MOLEX  
PRODUCT SPECIFICATION PS-74031-999
- FOR MIXED CONTACT MATING LENGTHS.  
CONSULT MOLEX FOR AVAILABILITY.
- FOR SPECIFIC MATERIAL NUMBERS  
AND MATING INFORMATION REFER TO  
SHEET 2.
- PACKAGE PER PK-74057-003.
- EITHER MARK PARTS WITH PART NUMBER AND DATE CODE  
APPROXIMATELY WHERE SHOWN OR PLACE LABEL ON THE TUBE.

2	E
1	E
SHT	REV
REVISE ON CAD ONLY	

DIMENSIONS:

<input type="checkbox"/> mm	<input type="checkbox"/> INCH	<input checked="" type="checkbox"/> mm ONLY
-----------------------------	-------------------------------	---

REVISED EC NO. UDT2002-0443 DRWN: MWANG 01/09/18 CHK: JLAURX 01/09/18 APPR: CBIXLER 01/09/18	QUALITY SYMBOLS MAJOR = 0 CRITICAL = 0	GENERAL TOLERANCES: (UNLESS SPECIFIED)		SCALE 2.5:1	DESIGN UNITS <input checked="" type="checkbox"/> mm <input type="checkbox"/> INCH	<input checked="" type="checkbox"/> THIRD ANGLE <input type="checkbox"/> PROJECTION	DIMENSIONS:		SHEET NO. 1 OF 2
		mm    INCH	DRAWN BY & DATE MWANG 00/02/08	TITLE: VHDM BACKPLANE 6 ROW SIGNAL-PIN END SALES DRAWING		MATERIAL NO. SEE SHEET 2	DRAWING NO. SD-74335-002	SIZE B	
REV E	DESCRIPTION	4 PLACES ±0.--- ±. 3 PLACES ±0.--- ±. 2 PLACES ±0.--- ±. 1 PLACE ±0.--- ±.		CHECKED BY & DATE JLAURX 00/02/09	APPROVED BY & DATE CBIXLER 00/02/09		MOLEX INCORPORATED		THIS DRAWING CONTAINS INFORMATION THAT IS PROPRIETARY TO MOLEX INCORPORATED AND SHOULD NOT BE USED WITHOUT WRITTEN PERMISSION.



PART NUMBER	COLUMN	NUMBER OF SIGNAL	NUMBER OF PIN SHIELD	A MAX	B	M	Au (um) THICKNESS	Sn/Ph (um) THICKNESS
74335-1001	10	60	10	27.00	18.00	4.75	0.76	0.38-1.52
74335-1006							1.27	
74335-2501	25	150	25	57.00	48.00		0.76	
74335-2506							1.27	
74335-1002	10	60	10	27.00	18.00	6.25	0.76	
74335-1007							1.27	
74335-2502	25	150	25	57.00	48.00		0.76	
74335-2507							1.27	
74335-1003	10	60	10	27.00	18.00	4.25	0.76	
74335-1008							1.27	
74335-2503	25	150	25	57.00	48.00		0.76	
74335-2508							1.27	
74335-1004	10	60	10	27.00	18.00	5.15	0.76	
74335-1009							1.27	
74335-2504	25	150	25	57.00	48.00		0.76	
74335-2509							1.27	

REVISED EC NO. JDT2002-0443 DRWN: MWANG 01/09/18 CHK: JLAURX 01/09/18 APPR: CBIXLER 01/09/18	QUALITY SYMBOLS MAJOR $\nabla = 0$ CRITICAL $\nabla C = 0$	GENERAL TOLERANCES: (UNLESS SPECIFIED)		SCALE 2.5:1	DESIGN UNITS <input checked="" type="checkbox"/> mm <input type="checkbox"/> INCH	DIMENSIONS: <input type="checkbox"/> mm <input type="checkbox"/> INCH <input checked="" type="checkbox"/> mm ONLY	SHT REV	
		4 PLACES $\pm 0. \text{---} \pm.$	3 PLACES $\pm 0. \text{---} \pm.$	2 PLACES $\pm 0. \text{---} \pm.$	1 PLACE $\pm 0. \text{---} \pm.$	DRAWN BY & DATE MWANG 99/11/28	THIRD ANGLE PROJECTION	REVISION ON CAD ONLY
		ANGULAR: $\pm \text{---} \circ$				CHECKED BY & DATE JLAURX 00/02/09	TITLE: VHDM BACKPLANE 6 ROW SIGNAL-PIN END SALES DRAWING	
		DRAFT WHERE APPLICABLE MUST REMAIN WITHIN DIMENSIONS				APPROVED BY & DATE CBIXLER 00/02/09	MOLEX INCORPORATED	
REV E	DESCRIPTION	THIS DRAWING CONTAINS INFORMATION THAT IS PROPRIETARY TO MOLEX INCORPORATED AND SHOULD NOT BE USED WITHOUT WRITTEN PERMISSION.		CAD FILENAME SD-74335-002-DGN	MATERIAL NO. SEE CHART	DRAWING NO. SD-74335-002	SHEET NO. 2	