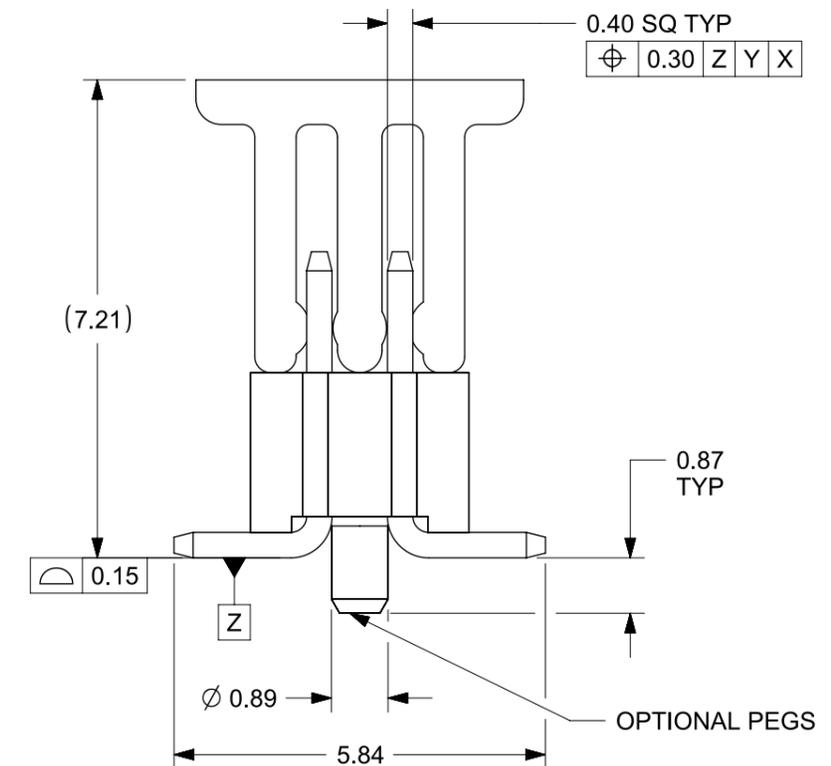
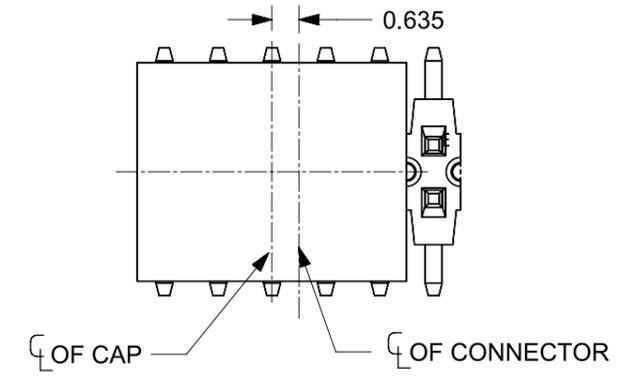
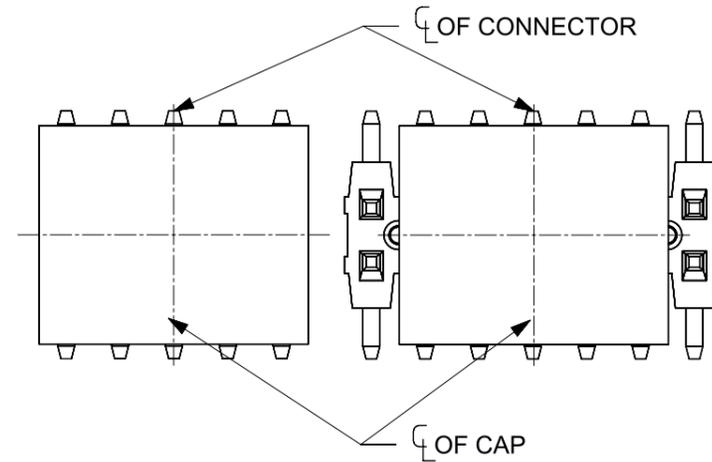


6 CAP POSITION WITH RESPECT TO CONNECTOR

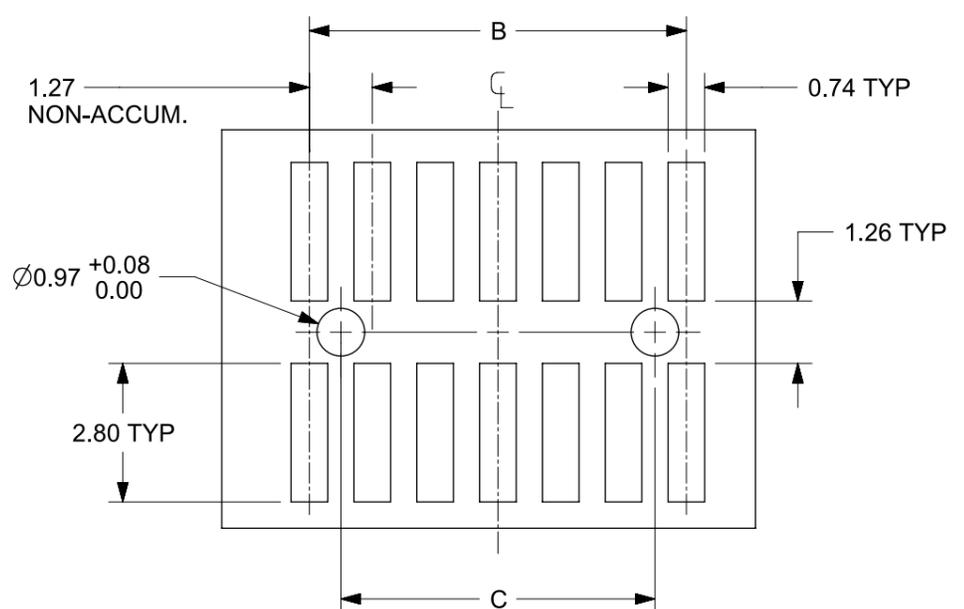
FOR CKT 10 & BELOW & CKT 14, 18, 22, 26, 30,
34, 38, 42, 46, 50, 54, 58, 62, 66, 70, 74, 78, 82,
86, 90, 94, 98

FOR 12, 16, 20, 24, 28, 32, 36, 40, 44, 48, 52,
56, 60, 64, 68, 72, 76, 80, 84, 86, 92, 96, 100

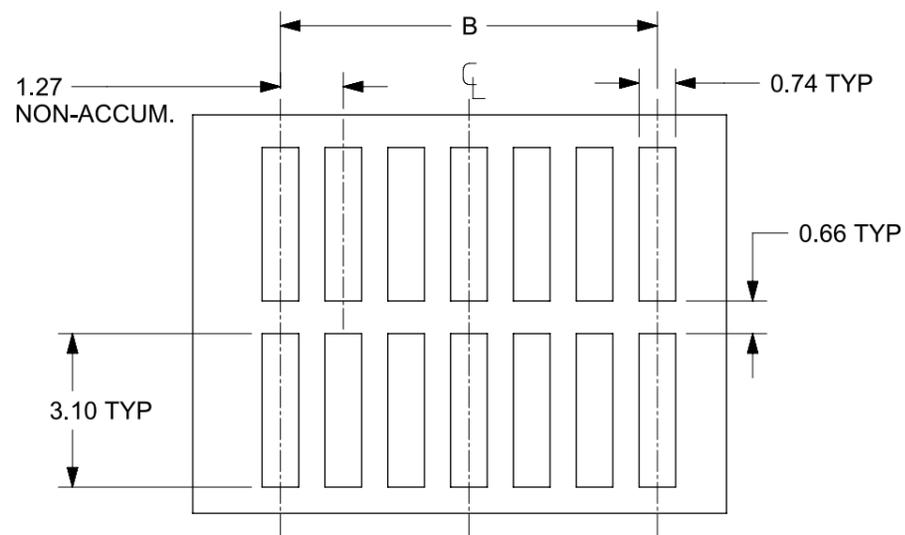


THIS DRAWING CONTAINS INFORMATION THAT IS PROPRIETARY TO MOLEX ELECTRONIC TECHNOLOGIES, LLC AND SHOULD NOT BE USED WITHOUT WRITTEN PERMISSION									
DIMENSION UNITS mm		SCALE NTS		CURRENT REV DESC: REMASTERED & BTB DISTANCE UPDATE					
GENERAL TOLERANCES (UNLESS SPECIFIED)									
ANGULAR TOL ± 3.0°									
4 PLACES ±		DRWN: KSUTAR		2021/05/10		1.27MM PITCH SMT HEADER WITH CAP PACKED IN TUBE			
3 PLACES ±		CHK'D: ABABUPS		2021/05/18					
2 PLACES ± 0.2		APPR: MRAMAKRISHNA		2021/05/18		PRODUCT CUSTOMER DRAWING			
1 PLACE ±		INITIAL REVISION:							
0 PLACES ±		DRWN: SCHEONG		2016/09/14		DOCUMENT NUMBER		DOC TYPE DOC PART REVISION	
DRAFT WHERE APPLICABLE MUST REMAIN WITHIN DIMENSIONS		THIRD ANGLE PROJECTION		DRAWING		SERIES		MATERIAL NUMBER	
				A3-SIZE		87933		SEE TABLE	
				GENERAL MARKET		SD-87933-0001		PSD 000 C3	
						GENERAL MARKET		1 OF 6	

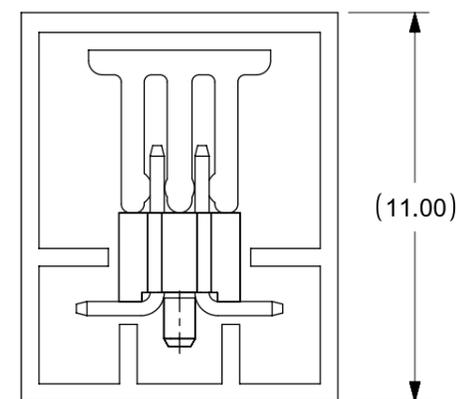
CKT SIZE	DIM A	DIM B	DIM C
4	2.54	1.27	-
6	3.81	2.54	-
8	5.08	3.81	-
10	6.35	5.08	3.81
12	7.62	6.35	-
14	8.89	7.62	-
16	10.16	8.89	-
18	11.43	10.16	-
20	12.70	11.43	10.16
22	13.97	12.70	-
24	15.24	13.97	-



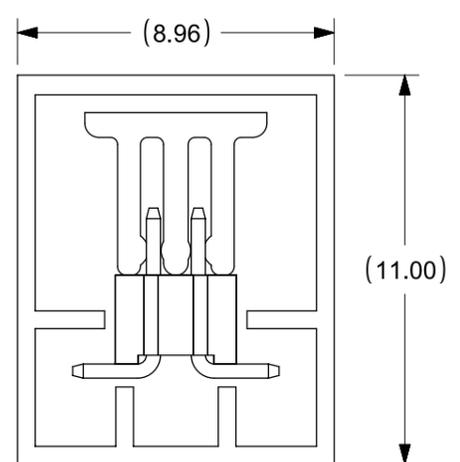
RECOMMENDED PCB LAYOUT
(PARTS WITH PEGS)
MANUFACTURING TOLERANCE ±0.05



RECOMMENDED PCB LAYOUT
(IMPROVED FOR WITHOUT PEGS OPTION)
MANUFACTURING TOLERANCE ±0.05



PART WITH PEG & CAP
PACKED IN TUBE



PART WITHOUT PEG &
WITH CAP PACKED IN TUBE

NOTE:

- MATERIAL: HOUSING: LCP GLASS FILLED, COLOR: BLACK
TERMINAL: COPPER ALLOY
- PIN PUSHOUT FORCE: 0.4KG MIN. IN EITHER DIRECTION.
- PLATING FINISH:
 - 2 MICRO INCH MIN. GOLD FLASH OVERALL, 50 MICRO INCH MIN. NICKEL UNDERPLATED
 - 100 MICRO INCH MIN. TIN OVERALL, 50 MICRO INCH MIN. NICKEL UNDERPLATED
 - 30 MICRO INCH MIN. GOLD PLATE IN SELECTED AREA AND 80 MICRO INCH MIN. TIN IN SELECTED AREA OVER, 50 MICRO INCH MIN. NICKEL UNDERPLATED
 - 15 MICRO INCH MIN. GOLD PLATE IN SELECTED AREA AND 80 MICRO INCH MIN. TIN IN SELECTED AREA OVER, 50 MICRO INCH MIN. NICKEL UNDERPLATED
 - 2 MICRO INCH MIN. GOLD FLASH IN SELECTED AREA AND 100 MICRO INCH MIN. TIN IN SELECTED AREA OVER, 50 MICRO INCH MIN. NICKEL UNDERPLATED
- THE ABOVE 14 CKT SHOWN IS FOR ILLUSTRATION ONLY.
- PARTS TO BE PACKED IN TUBE EXCEPT FOR 4 CKTS.
- POSITION OF CAP TO BE LOCATED AS SHOWN.
- IRREGULAR CIRCUIT CUTOFF WITHIN BREAKAWAY SECTION IS PERMISSIBLE. CUTTING OR CHIPPING OF THE MAIN BODY IS NOT ACCEPTABLE.
- PACKAGING SPECIFICATION REFER TO
TUBE : PK-89990-565
TAPE & REEL : PK-87933-300
- PRODUCT SPECIFICATION: 879330001_PS
- MATED SERIES: 78120 EXCEPT FOR FULL TIN PLATING FINISH
- PARTS CONFORMS TO CLASS "B" REQUIREMENT TO COSMETIC SPECIFICATION PS-45499-002

THIS DRAWING CONTAINS INFORMATION THAT IS PROPRIETARY TO MOLEX ELECTRONIC TECHNOLOGIES, LLC AND SHOULD NOT BE USED WITHOUT WRITTEN PERMISSION									
DIMENSION UNITS	SCALE	CURRENT REV DESC: REMASTERED & BTB DISTANCE UPDATE			molex				
mm	NTS								
GENERAL TOLERANCES (UNLESS SPECIFIED)					1.27MM PITCH SMT HEADER WITH CAP PACKED IN TUBE				
ANGULAR TOL	±	3.0°			PRODUCT CUSTOMER DRAWING				
4 PLACES	±				DOCUMENT NUMBER				
3 PLACES	±				SD-87933-0001				
2 PLACES	±	0.2			DOC TYPE				
1 PLACE	±				PSD				
0 PLACES	±				DOC PART				
DRAFT WHERE APPLICABLE MUST REMAIN WITHIN DIMENSIONS		THIRD ANGLE PROJECTION	DRAWING	SERIES	MATERIAL NUMBER	CUSTOMER	REVISION		
			A3-SIZE	87933	SEE TABLE	GENERAL MARKET	000	C3	2 OF 6

	10	9	8	7	6	5	4	3	2	1
	P/N WITH CAP PACKED IN T&R	TOOLED	NOT TOOLED	P/N WITH CAP PACKED IN TUBE	PEG	CKT SIZE	PLATING OPTIONS	DIM. M		
F	87933-0422		X	-	N	04	1	1.65		
	87933-0438		X	-	N	04	2	1.65		
	87933-0439		X	-	N	04	3	1.65		
	87933-0440		X	-	N	04	4	1.65		
	87933-0446		X	-	N	04	5	1.65		
	87933-0441		X	-	N	04	1	1.91		
	87933-0442		X	-	N	04	2	1.91		
	87933-0443		X	-	N	04	3	1.91		
E	87933-0444		X	-	N	04	4	1.91		
	87933-0448		X	-	N	04	5	1.91		
	87933-0425		X	-	N	04	1	3.05		
	87933-0426		X	-	N	04	2	3.05		
	87933-0427		X	-	N	04	3	3.05		
	87933-0428		X	-	N	04	4	3.05		
	87933-0424		X	-	N	04	5	3.05		
D	87933-0622	X		87933-0607	N	06	1	1.65		
	87933-0638	X		87933-0608	N	06	2	1.65		
	87933-0639	X		87933-0609	N	06	3	1.65		
	87933-0640	X		87933-0610	N	06	4	1.65		
	87933-0646	X		87933-0645	N	06	5	1.65		
	87933-0641	X		87933-0611	N	06	1	1.91		
	87933-0642	X		87933-0612	N	06	2	1.91		
	87933-0643	X		87933-0613	N	06	3	1.91		
	87933-0644	X		87933-0614	N	06	4	1.91		
C	87933-0648	X		87933-0647	N	06	5	1.91		
	87933-0625	X		87933-0615	N	06	1	3.05		
	87933-0626	X		87933-0616	N	06	2	3.05		
	87933-0627	X		87933-0617	N	06	3	3.05		
	87933-0628	X		87933-0618	N	06	4	3.05		
	87933-0624	X		87933-0623	N	06	5	3.05		
B	87933-0822		X	87933-0807	N	08	1	1.65		
	87933-0838		X	87933-0808	N	08	2	1.65		
	87933-0839		X	87933-0809	N	08	3	1.65		
	87933-0840		X	87933-0810	N	08	4	1.65		
	87933-0846		X	87933-0845	N	08	5	1.65		
	87933-0841		X	87933-0811	N	08	1	1.91		
	87933-0842		X	87933-0812	N	08	2	1.91		
	87933-0843		X	87933-0813	N	08	3	1.91		
	87933-0844		X	87933-0814	N	08	4	1.91		
	87933-0848		X	87933-0847	N	08	5	1.91		
A	87933-0825		X	87933-0815	N	08	1	3.05		
	87933-0826		X	87933-0816	N	08	2	3.05		
	87933-0827		X	87933-0817	N	08	3	3.05		

	10	9	8	7	6	5	4	3	2	1
	P/N WITH CAP PACKED IN T&R	TOOLED	NOT TOOLED	P/N WITH CAP PACKED IN TUBE	PEG	CKT SIZE	PLATING OPTIONS	DIM. M		
F	87933-0828		X	87933-0818	N	08	4	3.05		
	87933-0824	X		87933-0823	N	08	5	3.05		
	87933-1022	X		87933-1007	N	10	1	1.65		
	87933-1038	X		87933-1008	N	10	2	1.65		
	87933-1039	X		87933-1009	N	10	3	1.65		
	87933-1040	X		87933-1010	N	10	4	1.65		
	87933-1046	X		87933-1045	N	10	5	1.65		
	87933-1041	X		87933-1011	N	10	1	1.91		
E	87933-1042	X		87933-1012	N	10	2	1.91		
	87933-1043	X		87933-1013	N	10	3	1.91		
	87933-1044	X		87933-1014	N	10	4	1.91		
	87933-1048	X		87933-1047	N	10	5	1.91		
	87933-1025	X		87933-1015	N	10	1	3.05		
	87933-1026	X		87933-1016	N	10	2	3.05		
	87933-1021	X		87933-1017	N	10	3	3.05		
	87933-1028	X		87933-1018	N	10	4	3.05		
D	87933-1024	X		87933-1023	N	10	5	3.05		
	87933-1237		X	87933-1252	N	12	1	1.65		
	87933-1238		X	87933-1258	N	12	2	1.65		
	87933-1239		X	87933-1259	N	12	3	1.65		
	87933-1240		X	87933-1260	N	12	4	1.65		
	87933-1246		X	87933-1245	N	12	5	1.65		
	87933-1241		X	87933-1261	N	12	1	1.91		
	87933-1242		X	87933-1262	N	12	2	1.91		
	87933-1243		X	87933-1263	N	12	3	1.91		
C	87933-1244		X	87933-1264	N	12	4	1.91		
	87933-1248		X	87933-1247	N	12	5	1.91		
	87933-1225		X	87933-1219	N	12	1	3.05		
	87933-1229		X	87933-1220	N	12	2	3.05		
	87933-1227		X	87933-1221	N	12	3	3.05		
	87933-1232		X	87933-1222	N	12	4	3.05		
	87933-1224		X	87933-1223	N	12	5	3.05		

THIS DRAWING CONTAINS INFORMATION THAT IS PROPRIETARY TO MOLEX ELECTRONIC TECHNOLOGIES, LLC AND SHOULD NOT BE USED WITHOUT WRITTEN PERMISSION														
DIMENSION UNITS		SCALE		CURRENT REV DESC: REMASTERED & BTB DISTANCE UPDATE						1.27MM PITCH SMT HEADER WITH CAP PACKED IN TUBE				
mm		NTS												
GENERAL TOLERANCES (UNLESS SPECIFIED)				EC NO: 664214 DRWN: KSUTAR 2021/05/10 CHK'D: ABABUPS 2021/05/18 APPR: MRAMAKRISHNA 2021/05/18				PRODUCT CUSTOMER DRAWING						
ANGULAR TOL ± 3.0°														
4 PLACES ±								DOCUMENT NUMBER		DOC TYPE		DOC PART		REVISION
3 PLACES ±								SD-87933-0001		PSD		000		C3
2 PLACES ± 0.2								INITIAL REVISION:						
1 PLACE ±				DRWN: SCHEONG 2016/09/14										
0 PLACES ±				APPR: KHLIM 2016/12/19										
DRAFT WHERE APPLICABLE MUST REMAIN WITHIN DIMENSIONS				THIRD ANGLE PROJECTION		DRAWING		SERIES		SHEET NUMBER				
						A3-SIZE		87933		3 OF 6				

	10	9	8	7	6			
	P/N WITH CAP PACKED IN T&R	TOOLED	NOT TOOLED	P/N WITH CAP PACKED IN TUBE	PEG	CKT SIZE	PLATING OPTIONS	DIM. M
F	87933-1422		X	87933-1407	N	14	1	1.65
	87933-1438		X	87933-1408	N	14	2	1.65
	87933-1439		X	87933-1409	N	14	3	1.65
	87933-1440		X	87933-1410	N	14	4	1.65
	87933-1446		X	87933-1445	N	14	5	1.65
	87933-1441		X	87933-1411	N	14	1	1.91
	87933-1442		X	87933-1412	N	14	2	1.91
	87933-1443		X	87933-1413	N	14	3	1.91
E	87933-1444		X	87933-1414	N	14	4	1.91
	87933-1448		X	87933-1447	N	14	5	1.91
	87933-1425		X	87933-1415	N	14	1	3.05
	87933-1426		X	87933-1416	N	14	2	3.05
	87933-1427		X	87933-1417	N	14	3	3.05
	87933-1428		X	87933-1418	N	14	4	3.05
	87933-1424		X	87933-1423	N	14	5	3.05
	87933-1622		X	87933-1607	N	16	1	1.65
D	87933-1638		X	87933-1608	N	16	2	1.65
	87933-1639		X	87933-1609	N	16	3	1.65
	87933-1640		X	87933-1610	N	16	4	1.65
	87933-1646		X	87933-1645	N	16	5	1.65
	87933-1641		X	87933-1611	N	16	1	1.91
	87933-1642		X	87933-1612	N	16	2	1.91
	87933-1643		X	87933-1613	N	16	3	1.91
	87933-1644		X	87933-1614	N	16	4	1.91
	87933-1648		X	87933-1647	N	16	5	1.91
C	87933-1625		X	87933-1615	N	16	1	3.05
	87933-1626		X	87933-1616	N	16	2	3.05
	87933-1627		X	87933-1617	N	16	3	3.05
	87933-1628		X	87933-1618	N	16	4	3.05
	87933-1624		X	87933-1623	N	16	5	3.05
	87933-1822		X	87933-1807	N	18	1	1.65
	87933-1838		X	87933-1808	N	18	2	1.65
	87933-1839		X	87933-1809	N	18	3	1.65
B	87933-1840		X	87933-1810	N	18	4	1.65
	87933-1846		X	87933-1845	N	18	5	1.65
	87933-1841		X	87933-1811	N	18	1	1.91
	87933-1842		X	87933-1812	N	18	2	1.91
	87933-1843		X	87933-1813	N	18	3	1.91
	87933-1844		X	87933-1814	N	18	4	1.91
	87933-1848		X	87933-1847	N	18	5	1.91
	87933-1825		X	87933-1815	N	18	1	3.05
A	87933-1826		X	87933-1816	N	18	2	3.05
	87933-1827		X	87933-1817	N	18	3	3.05

	5	4	3	2	1			
	P/N WITH CAP PACKED IN T&R	TOOLED	NOT TOOLED	P/N WITH CAP PACKED IN TUBE	PEG	CKT SIZE	PLATING OPTIONS	DIM. M
	87933-1828	X		87933-1818	N	18	4	3.05
	87933-1824	X		87933-1823	N	18	5	3.05
	87933-2037	X		87933-2007	N	20	1	1.65
	87933-2038	X		87933-2008	N	20	2	1.65
	87933-2039	X		87933-2009	N	20	3	1.65
	87933-2040	X		87933-2010	N	20	4	1.65
	87933-2046	X		87933-2045	N	20	5	1.65
	87933-2041	X		87933-2011	N	20	1	1.91
	87933-2042	X		87933-2012	N	20	2	1.91
	87933-2043	X		87933-2013	N	20	3	1.91
	87933-2044	X		87933-2014	N	20	4	1.91
	87933-2048	X		87933-2047	N	20	5	1.91
	87933-2025	X		87933-2015	N	20	1	3.05
	87933-2026	X		87933-2016	N	20	2	3.05
	87933-2027	X		87933-2017	N	20	3	3.05
	87933-2021	X		87933-2018	N	20	4	3.05
	87933-2024	X		87933-2023	N	20	5	3.05
	87933-2237		X	87933-2207	N	22	1	1.65
	87933-2238		X	87933-2208	N	22	2	1.65
	87933-2239		X	87933-2209	N	22	3	1.65
	87933-2240		X	87933-2210	N	22	4	1.65
	87933-2246		X	87933-2245	N	22	5	1.65
	87933-2241		X	87933-2211	N	22	1	1.91
	87933-2242		X	87933-2212	N	22	2	1.91
	87933-2243		X	87933-2213	N	22	3	1.91
	87933-2244		X	87933-2214	N	22	4	1.91
	87933-2248		X	87933-2247	N	22	5	1.91
	87933-2225		X	87933-2215	N	22	1	3.05
	87933-2226		X	87933-2216	N	22	2	3.05
	87933-2227		X	87933-2217	N	22	3	3.05
	87933-2228		X	87933-2218	N	22	4	3.05
	87933-2224		X	87933-2223	N	22	5	3.05

THIS DRAWING CONTAINS INFORMATION THAT IS PROPRIETARY TO MOLEX ELECTRONIC TECHNOLOGIES, LLC AND SHOULD NOT BE USED WITHOUT WRITTEN PERMISSION														
DIMENSION UNITS		SCALE		CURRENT REV DESC: REMASTERED & BTB DISTANCE UPDATE						1.27MM PITCH SMT HEADER WITH CAP PACKED IN TUBE				
mm		NTS												
GENERAL TOLERANCES (UNLESS SPECIFIED)				EC NO: 664214 DRWN: KSUTAR 2021/05/10 CHK'D: ABABUPS 2021/05/18 APPR: MRAMAKRISHNA 2021/05/18				PRODUCT CUSTOMER DRAWING						
ANGULAR TOL ± 3.0 °														
4 PLACES ±								INITIAL REVISION: DRWN: SCHEONG 2016/09/14 APPR: KHLIM 2016/12/19		DOCUMENT NUMBER		DOC TYPE	DOC PART	REVISION
3 PLACES ±										SD-87933-0001		PSD	000	C3
2 PLACES ±		0.2												
1 PLACE ±														
0 PLACES ±														
DRAFT WHERE APPLICABLE MUST REMAIN WITHIN DIMENSIONS			THIRD ANGLE PROJECTION		DRAWING	SERIES	MATERIAL NUMBER		CUSTOMER		SHEET NUMBER			
					A3-SIZE	87933	SEE TABLE		GENERAL MARKET		4 OF 6			

10	9	8	7	6	5	4	3	2	1
P/N WITH CAP PACKED IN T&R	TOOLED	NOT TOOLED	P/N WITH CAP PACKED IN TUBE	PEG	CKT SIZE	PLATING OPTIONS	DIM. M		
87933-2437		X	87933-2407	N	24	1	1.65		
87933-2438		X	87933-2408	N	24	2	1.65		
87933-2439		X	87933-2409	N	24	3	1.65		
87933-2440		X	87933-2410	N	24	4	1.65		
87933-2446		X	87933-2445	N	24	5	1.65		
87933-2441		X	87933-2411	N	24	1	1.91		
87933-2442		X	87933-2412	N	22	2	1.91		
87933-2443		X	87933-2413	N	24	3	1.91		
87933-2444		X	87933-2414	N	24	4	1.91		
87933-2448		X	87933-2447	N	24	5	1.91		
87933-2425		X	87933-2415	N	24	1	3.05		
87933-2426		X	87933-2416	N	24	2	3.05		
87933-2427		X	87933-2417	N	24	3	3.05		
87933-2428		X	87933-2418	N	24	4	3.05		
87933-2424		X	87933-2423	N	24	5	3.05		

THIS DRAWING CONTAINS INFORMATION THAT IS PROPRIETARY TO MOLEX ELECTRONIC TECHNOLOGIES, LLC AND SHOULD NOT BE USED WITHOUT WRITTEN PERMISSION											
DIMENSION UNITS	SCALE	CURRENT REV DESC: REMASTERED & BTB DISTANCE UPDATE					molex				
mm	NTS										
GENERAL TOLERANCES (UNLESS SPECIFIED)		EC NO: 664214 DRWN: KSUTAR 2021/05/10 CHK'D: ABABUPS 2021/05/18 APPR: MRAMAKRISHNA 2021/05/18 INITIAL REVISION: DRWN: SCHEONG 2016/09/14 APPR: KHLIM 2016/12/19					1.27MM PITCH SMT HEADER WITH CAP PACKED IN TUBE				
ANGULAR TOL	± 3.0 °						PRODUCT CUSTOMER DRAWING				
4 PLACES	±						DOCUMENT NUMBER		DOC TYPE	DOC PART	REVISION
3 PLACES	±						SD-87933-0001		PSD	000	C3
2 PLACES	± 0.2						MATERIAL NUMBER		CUSTOMER		SHEET NUMBER
1 PLACE	±	SEE TABLE		GENERAL MARKET		5 OF 6					
0 PLACES	±										
DRAFT WHERE APPLICABLE MUST REMAIN WITHIN DIMENSIONS		THIRD ANGLE PROJECTION	DRAWING	SERIES							
			A3-SIZE	87933							

DOCUMENT STATUS	P1	RELEASE DATE	2021/05/18	14:43:04
-----------------	----	--------------	------------	----------

BOARD TO BOARD (BTB) DISTANCE

HEADER	MATES WITH (RECEPTACLE)	BTB DIST.	PICTORIAL VIEW
87933	78120	7.57	

THIS DRAWING CONTAINS INFORMATION THAT IS PROPRIETARY TO MOLEX ELECTRONIC TECHNOLOGIES, LLC AND SHOULD NOT BE USED WITHOUT WRITTEN PERMISSION									
DIMENSION UNITS	SCALE	CURRENT REV DESC: REMASTERED & BTB DISTANCE UPDATE							
mm	NTS								
GENERAL TOLERANCES (UNLESS SPECIFIED)		EC NO: 664214				1.27MM PITCH SMT HEADER WITH CAP PACKED IN TUBE PRODUCT CUSTOMER DRAWING			
ANGULAR TOL ± 3.0 °		DRWN: KSUTAR 2021/05/10							
4 PLACES ±		CHK'D: ABABUPS 2021/05/18				DOCUMENT NUMBER SD-87933-0001 PSD 000 C3			
3 PLACES ±		APPR: MRAMAKRISHNA 2021/05/18							
2 PLACES ± 0.2		INITIAL REVISION:				MATERIAL NUMBER SEE TABLE			
1 PLACE ±		DRWN: SCHEONG 2016/09/14							
0 PLACES ±		APPR: KHLIM 2016/12/19				CUSTOMER GENERAL MARKET			
DRAFT WHERE APPLICABLE MUST REMAIN WITHIN DIMENSIONS		THIRD ANGLE PROJECTION	DRAWING	SERIES	SHEET NUMBER				
			A3-SIZE	87933	6 OF 6				

DOCUMENT STATUS	P1	RELEASE DATE	2021/05/18	14:43:04
-----------------	----	--------------	------------	----------