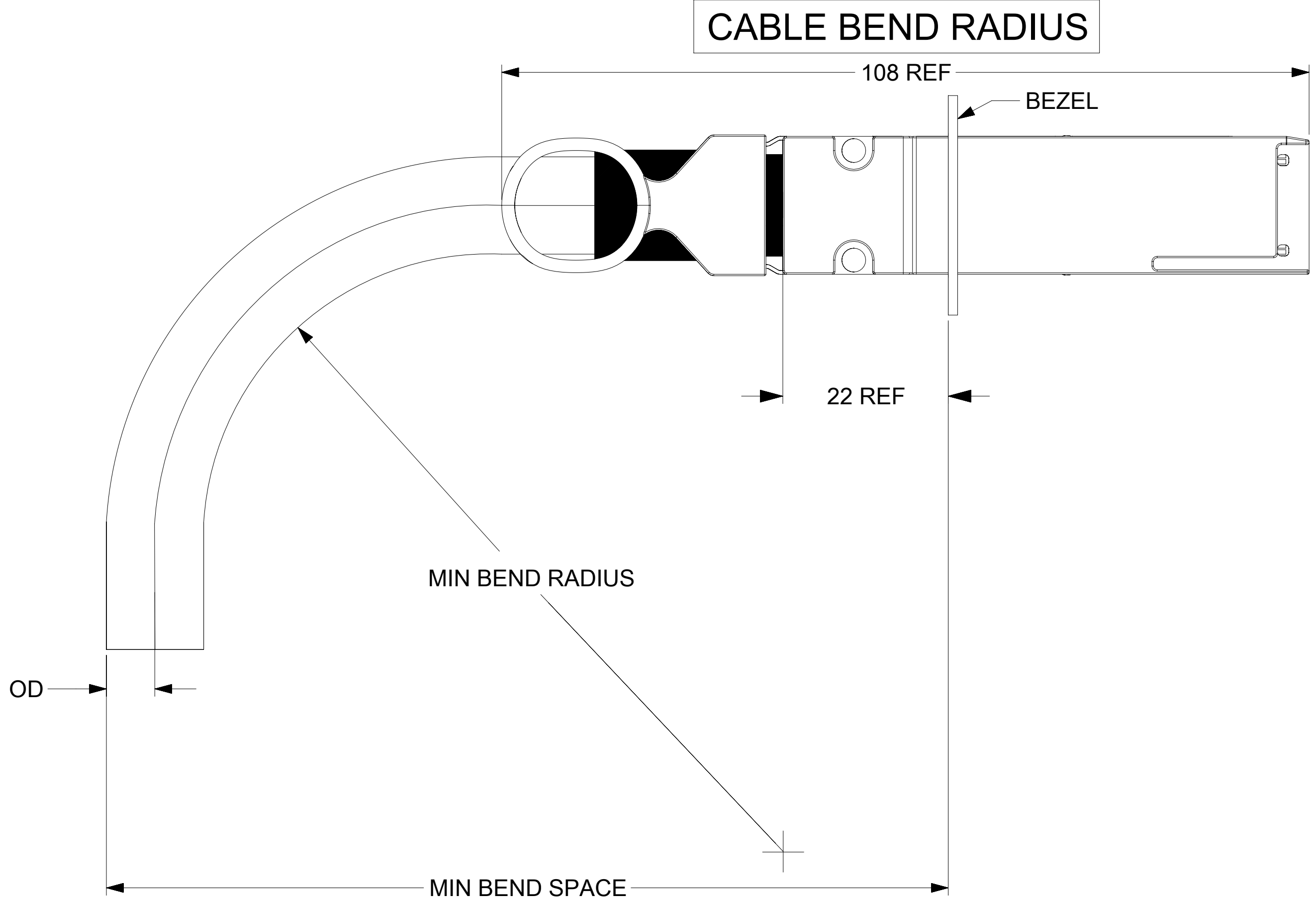


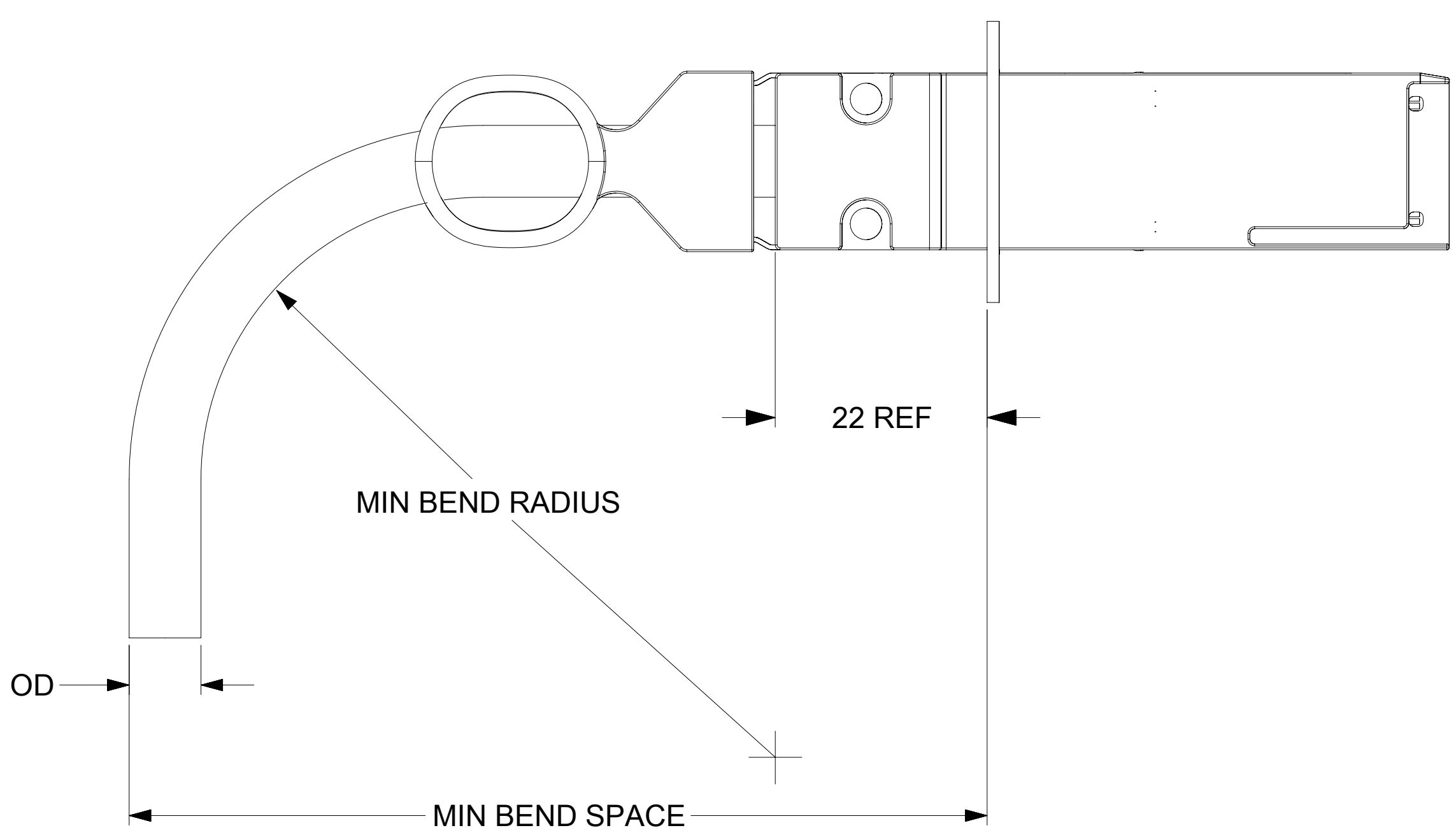
- NOTES:
- CABLE LENGTH DEPENDS ON WIRE GAUGE, DATA RATE, AND HOST BOARD DRIVER CAPABILITIES
 - MATERIALS:
 - BACKSHELLS - ZINC DIE CAST WITH BRIGHT NICKEL PLATING
 - DELATCH - STAINLESS STEEL WITH OVERMOLDED NYLON
 - PCB - HALOGEN FREE
 - RAW CABLE JACKET- PVC
 - RIVETS - STAINLESS STEEL
 - IMPEDANCE - 100 OHMS DIFFERENTIAL
 - 'P1' LABEL REQUIRED ON zQ END, 'P2' & 'P3' LABELS REQUIRED ON BOTH 2zQ ENDS
 - RoHS COMPLIANT, NO EXEMPTIONS
 - ALL PART NUMBERS MAY USE TEMPFLEX OR BELDEN CABLE

| | | | | | | | | | |
|---|--------|---|----------------|--|--|--|--|--|--|
| THIS DRAWING CONTAINS INFORMATION THAT IS PROPRIETARY TO MOLEX ELECTRONIC TECHNOLOGIES, LLC AND SHOULD NOT BE USED WITHOUT WRITTEN PERMISSION | | | | | | | | | |
| DIMENSION UNITS | SCALE | CURRENT REV DESC: REMOVED OBSOLETE PART NUMBER AS PER PCN#512658. | | | | | | | |
| mm | 2:1 | molex ZQSFP+ TO 2X ZQSFP+ BREAKOUT CABLE ASSEMBLY PRODUCT CUSTOMER DRAWING | | | | | | | |
| GENERAL TOLERANCES (UNLESS SPECIFIED) | | | | | | | | | |
| ANGULAR TOL | ± 1.0° | | | | | | | | |
| 4 PLACES | ± | | | | | | | | |
| 3 PLACES | ± | | | | | | | | |
| 2 PLACES | ± 0.13 | EC NO: 722794 | 2022/10/07 | | | | | | |
| 1 PLACE | ± 0.25 | DRWN: SANTHN | 2022/10/12 | | | | | | |
| 0 PLACES | ± | CHK'D: GGA | 2022/10/12 | | | | | | |
| DRAFT WHERE APPLICABLE MUST REMAIN WITHIN DIMENSIONS | | APPR: GGA | 2022/10/12 | | | | | | |
| THIRD ANGLE PROJECTION | | INITIAL REVISION: | 2017/01/11 | | | | | | |
| DUST COVER | | DRWN: MTAMBRALLI | 2017/02/07 | | | | | | |
| DUST COVER | | APPR: ARAYBURN | 2017/02/07 | | | | | | |
| DUST COVER | | DOCUMENT NUMBER | 1003461051 | | | | | | |
| DUST COVER | | DOC TYPE | PSD | | | | | | |
| DUST COVER | | DOC PART | 001 | | | | | | |
| DUST COVER | | REVISION | M1 | | | | | | |
| DUST COVER | | MATERIAL NUMBER | SEE PN TABLE | | | | | | |
| DUST COVER | | CUSTOMER | GENERAL MARKET | | | | | | |
| DUST COVER | | SHEET NUMBER | 1 OF 3 | | | | | | |

| | | | | |
|-----------------|----|--------------|------------|----------|
| DOCUMENT STATUS | P1 | RELEASE DATE | 2022/10/12 | 10:21:53 |
|-----------------|----|--------------|------------|----------|

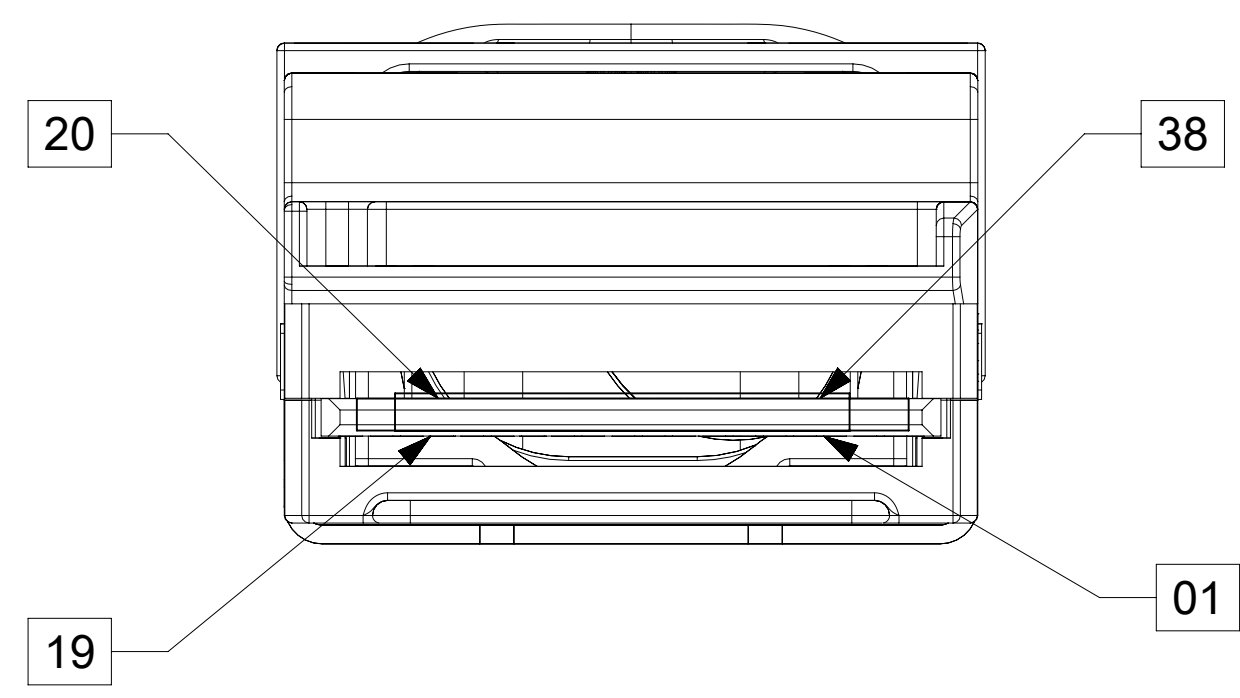


| CABLE AWG | OD (mm) | MINIMUM BEND RADIUS (mm) | MINIMUM BEND SPACE (mm) |
|-----------|---------|--------------------------|-------------------------|
| 30 | 5.89 | 28 | 61 |
| 28 | 6.1 | 30 | 64 |
| 26 | 7.62 | 38 | 75 |



| CABLE AWG | OD (mm) | MINIMUM BEND RADIUS (mm) | MINIMUM BEND SPACE (mm) |
|-----------|---------|--------------------------|-------------------------|
| 30 | 5.89 | 28 | 55 |
| 28 | 6.1 | 30 | 58 |
| 26 | 7.62 | 38 | 67 |

PINOUT



LOW SPEED SIGNALS
P1, P2 & P3

| PAD | SIGNAL |
|-----|---------|
| 08 | ModSelL |
| 09 | ResetL |
| 10 | VccRx |
| 11 | SCL |
| 12 | SDA |
| 27 | ModPrsL |
| 28 | IntL |
| 29 | VccTx |
| 30 | Vcc1 |
| 31 | LPMODE |

WIRING DIAGRAM

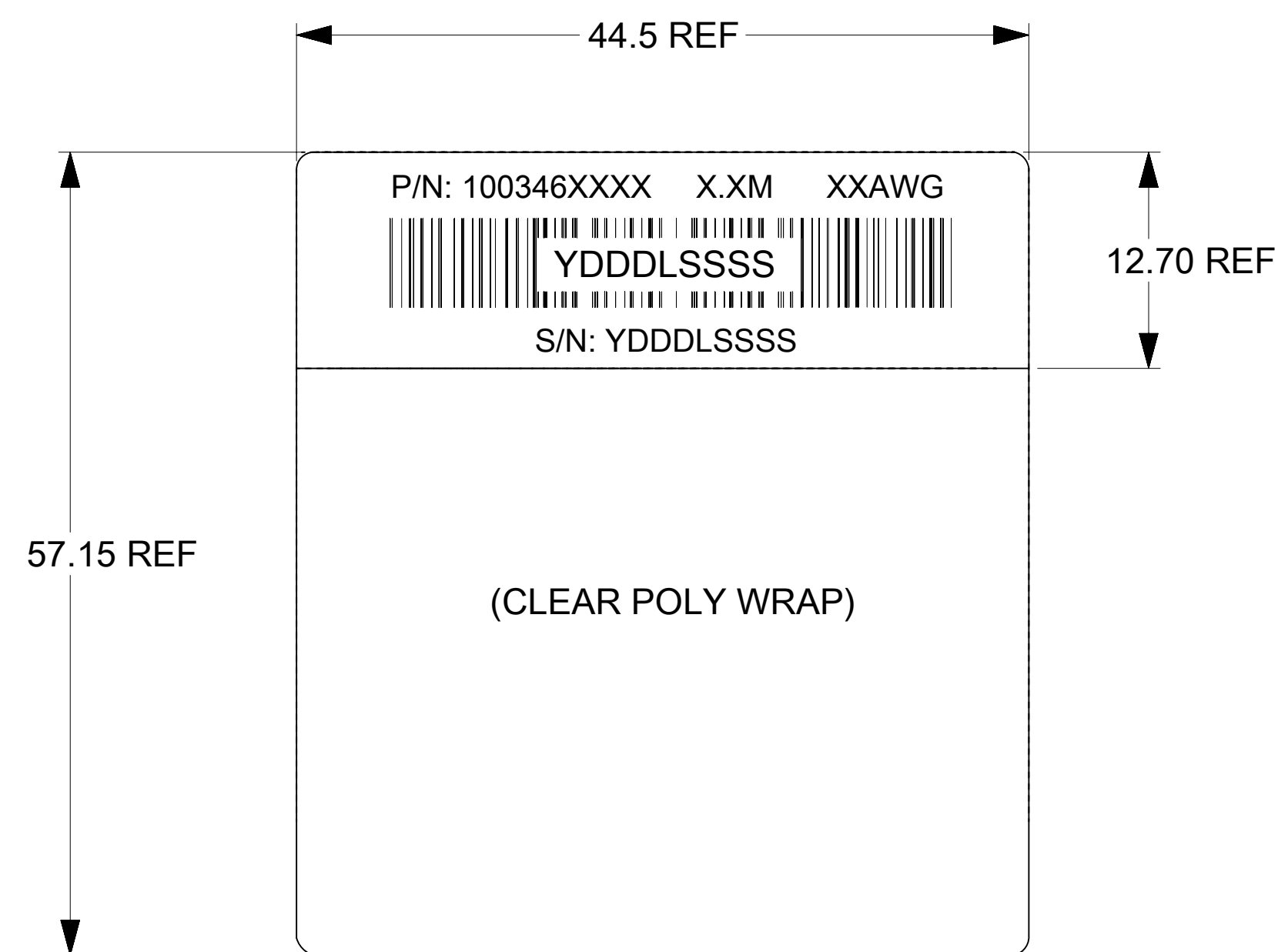
| QSFP P1 | | QSFP | | PLUG |
|---------|--------|--------|-----|------|
| PAD | SIGNAL | SIGNAL | PAD | |
| 38 | GND | GND | 19 | P2 |
| 37 | TX1- | Rx1- | 18 | |
| 36 | TX1+ | Rx1+ | 17 | |
| 35 | GND | GND | 16 | |
| 19 | GND | GND | 38 | |
| 17 | RX1+ | Tx1+ | 36 | |
| 18 | RX1- | Tx1- | 37 | |
| 16 | GND | GND | 35 | |
| 01 | GND | GND | 20 | |
| 02 | TX2- | Rx2- | 21 | |
| 03 | TX2+ | Rx2+ | 22 | |
| 04 | GND | GND | 23 | |
| 20 | GND | GND | 01 | |
| 22 | RX2+ | Tx2+ | 03 | |
| 21 | RX2- | Tx2- | 02 | |
| 23 | GND | GND | 04 | |
| 35 | GND | GND | 19 | P3 |
| 34 | TX3- | Rx1- | 18 | |
| 33 | TX3+ | Rx1+ | 17 | |
| 32 | GND | GND | 16 | |
| 16 | GND | GND | 38 | |
| 13 | GND | GND | 35 | |
| 14 | RX3+ | Tx1+ | 36 | |
| 15 | RX3- | Tx1- | 37 | |
| 04 | GND | GND | 20 | |
| 05 | TX4- | Rx2- | 21 | |
| 06 | TX4+ | Rx2+ | 22 | |
| 07 | GND | GND | 23 | |
| 23 | GND | GND | 01 | |
| 26 | GND | GND | 04 | |
| 25 | RX4+ | Tx2+ | 03 | |
| 24 | RX4- | Tx2- | 02 | |

QSFP+ PADS 1, 4, 7, 13, 16, 19, 20, 23, 26
32, 35 AND 38 ARE GND

THIS DRAWING CONTAINS INFORMATION THAT IS PROPRIETARY TO MOLEX ELECTRONIC TECHNOLOGIES, LLC AND SHOULD NOT BE USED WITHOUT WRITTEN PERMISSION

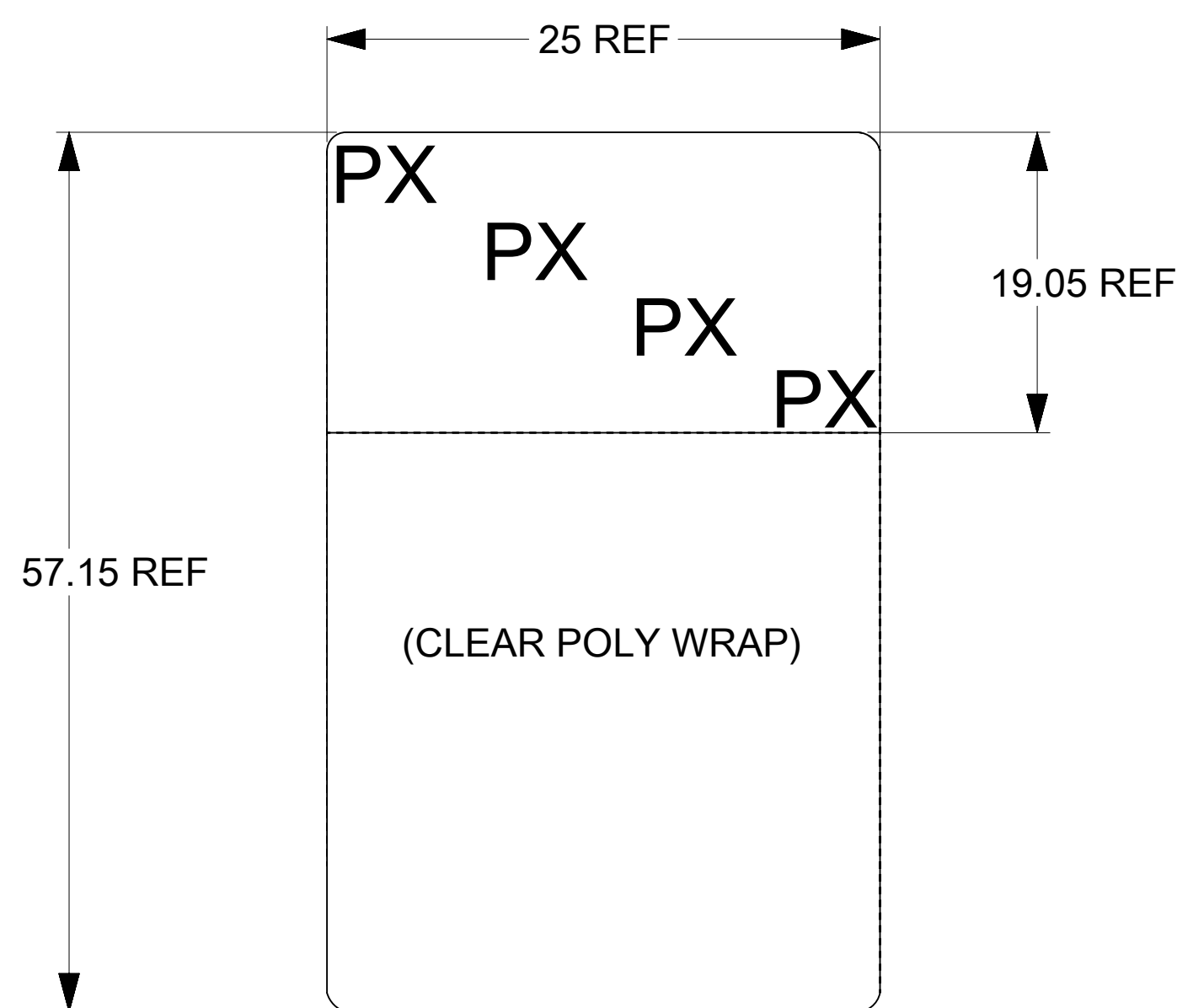
| | | | | | |
|--|------------------------|---|-----------------------------|--|--|
| DIMENSION UNITS mm | SCALE 2:1 | CURRENT REV DESC: REMOVED OBSOLETE PART NUMBER AS PER PCN#512658. | | | |
| GENERAL TOLERANCES (UNLESS SPECIFIED) | | | | | |
| ANGULAR TOL ± 1.0° | | EC NO: 722794 | PRODUCT CUSTOMER DRAWING | | |
| 4 PLACES ± | | DRWN: SANTHN 2022/10/07 | DOCUMENT NUMBER | | |
| 3 PLACES ± | | CHK'D: GGA 2022/10/12 | 1003461051 | | |
| 2 PLACES ± 0.13 | | APPR: GGA 2022/10/12 | DOC TYPE DOC PART REVISION | | |
| 1 PLACE ± 0.25 | | INITIAL REVISION: | PSD 001 M1 | | |
| 0 PLACES ± | | DRWN: MTAMBRALLI 2017/01/11 | MATERIAL NUMBER CUSTOMER | | |
| | | APPR: ARAYBURN 2017/02/07 | SEE PN TABLE GENERAL MARKET | | |
| DRAFT WHERE APPLICABLE MUST REMAIN WITHIN DIMENSIONS | THIRD ANGLE PROJECTION | DRAWING SERIES | SHEET NUMBER | | |
| | | D-SIZE 100346 | 2 OF 3 | | |

LABEL DETAILS



P/N: 100346XXXX - MOLEX PART NUMBER (SEE P/N TABLE)
 X.XM - CABLE LENGTH IN METERS (EXAMPLES - 0.5M, 1.0M)
 S/N: YDDLSSSS - SERIAL NUMBER
 Y - YEAR, THE LAST DIGIT OF YEAR
 DDD - DAY OF THE YEAR
 L - LOCATION
 1 - USA
 2 - MEXICO
 3 - CHINA
 4 - PHILIPPINES
 SSSS - SERIAL NUMBER (0001-9999)

END LABEL



'P2' & 'P3' LABELS REQUIRED ON BOTH 2zQ ENDS.
 'P1' LABEL REQUIRED ON zQ END.
 PX - P1/P2/P3 ENDS

| MOLEX P/N | LENGTH(M) | TOL.(M) | AWG | RAW CABLE |
|------------|-----------|---------|-----|-----------|
| 1003461051 | 0.5 | ±0.05 | 30 | TEMPFLEX |
| 1003461071 | 0.75 | ±0.05 | 30 | |
| 1003461101 | 1.0 | ±0.05 | 30 | |
| 1003461151 | 1.5 | ±0.08 | 30 | |
| 1003461201 | 2.0 | ±0.08 | 30 | |
| 1003461251 | 2.5 | ±0.08 | 30 | |
| 1003461301 | 3.0 | ±0.08 | 30 | |
| 1003462051 | 0.5 | ±0.05 | 28 | |
| 1003462071 | 0.75 | ±0.05 | 28 | |
| 1003462101 | 1.0 | ±0.05 | 28 | |
| 1003462151 | 1.5 | ±0.05 | 28 | |
| 1003462201 | 2.0 | ±0.08 | 28 | |
| 1003462251 | 2.5 | ±0.08 | 28 | |
| 1003462301 | 3.0 | ±0.08 | 28 | |
| 1003463051 | 0.5 | ±0.05 | 26 | |
| 1003463071 | 0.75 | ±0.05 | 26 | |
| 1003463101 | 1.0 | ±0.05 | 26 | |
| 1003463151 | 1.5 | ±0.05 | 26 | |
| 1003463201 | 2.0 | ±0.08 | 26 | |
| 1003463251 | 2.5 | ±0.08 | 26 | |
| 1003463301 | 3.0 | ±0.08 | 26 | |
| 1003463351 | 3.5 | ±0.08 | 26 | |
| 1003463401 | 4.0 | ±0.08 | 26 | |
| 1003463451 | 4.5 | ±0.08 | 26 | |
| 1003463501 | 5.0 | ±0.08 | 26 | |

*CABLES SHORTER THAN 1.0M, MAY NOT MEET ALL SI PARAMETERS OF IEEE 802.3BJ.

| | | | | | | | | | |
|---|--|------------------------|--|--|--|-------------------------|--|--------------------------------|--|
| THIS DRAWING CONTAINS INFORMATION THAT IS PROPRIETARY TO MOLEX ELECTRONIC TECHNOLOGIES, LLC AND SHOULD NOT BE USED WITHOUT WRITTEN PERMISSION | | | | | | | | | |
| DIMENSION UNITS mm | | SCALE 1:1 | | CURRENT REV DESC: REMOVED OBSOLETE PART NUMBER AS PER PCN#512658. | | | | molex | |
| GENERAL TOLERANCES (UNLESS SPECIFIED) | | | | EC NO: 722794 DRWN: SANTHN 2022/10/07 CHK'D: GGA 2022/10/12 APPR: GGA 2022/10/12 INITIAL REVISION: DRWN: MTAMBRALLI 2017/01/11 APPR: ARAYBURN 2017/02/07 | | | | | |
| ANGULAR TOL ± 1.0° | | | | | | | | | |
| 4 PLACES ± | | | | | | | | | |
| 3 PLACES ± | | | | | | | | | |
| 2 PLACES ± 0.13 | | | | DOCUMENT NUMBER | | DOC TYPE | | DOC PART | |
| 1 PLACE ± 0.25 | | | | 1003461051 | | PSD | | 001 M1 | |
| 0 PLACES ± | | | | MATERIAL NUMBER | | CUSTOMER | | SHEET NUMBER | |
| DRAFT WHERE APPLICABLE MUST REMAIN WITHIN DIMENSIONS | | THIRD ANGLE PROJECTION | | DRAWING D-SIZE | | SERIES 100346 | | SEE PN TABLE GENERAL MARKET | |