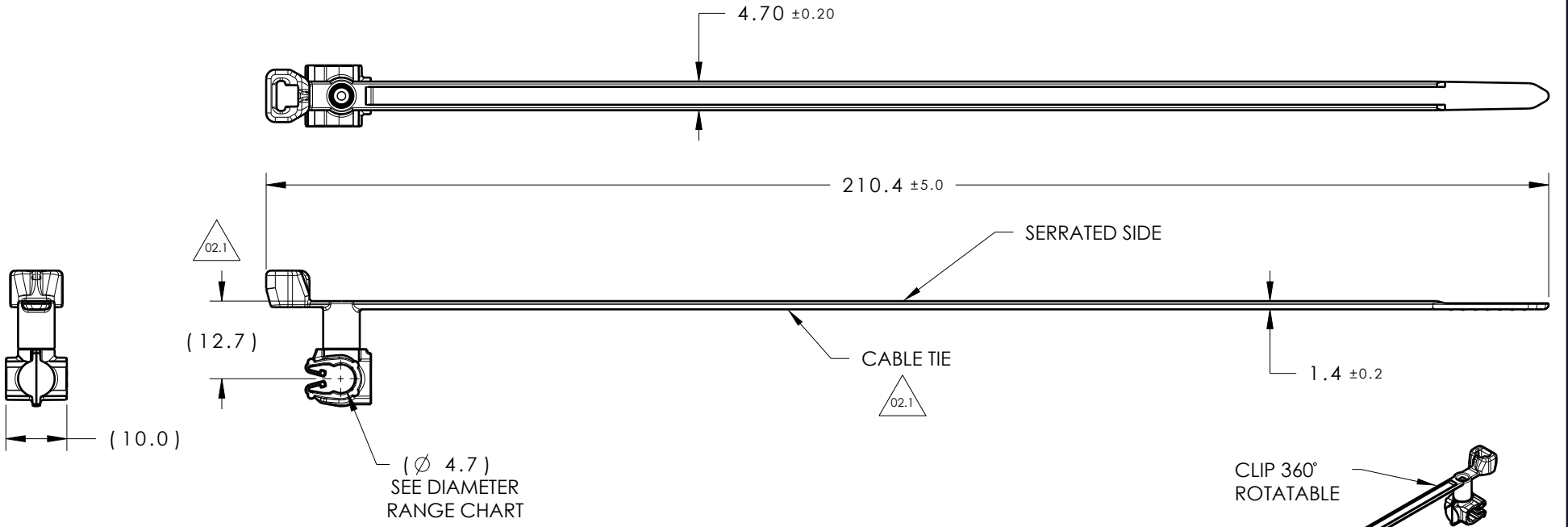


Revision Level			Revision Record	Changed	Date	Approved	Date
Drawing	State	Part					
02.1	Design Release	-	SEE ECN# 014539	CTF	07/25/2018	TAT	07/25/2018



TYPE	SUGGESTED DIAMETER RANGE*
HARNESS	4.5MM - 5.3MM
HOSE	4.0MM - 5.3MM
HARD PIPE/TUBE	4.8MM - 5.5MM

*RECOMMENDED SIZES MAY DIFFER DEPENDING ON THE APPLICATION , PRODUCT REQUIREMENTS AND MATERIALS USED

**PATENT PENDING 29/582,271

GLOBAL PART DESCRIPTION	BUNDLE RANGE	CABLE TIE			CLIP**		
		DRAWING	MATERIAL	COLOR	DRAWING	MATERIAL	COLOR
T50SMVCMOC5M-PA66HIRHSUV-BK	2 TO 50	14-0606-012-CSU	PA66HIRHSUV	BLACK	16-0313-000-CSU	PA66HIRHSUV	BLACK

Material
SEE CHART
COLOR: SEE CHART

Units millimeters
Tolerance defined on each dimension

The copyright of this drawing is reserved by HellermannTyton. It is issued on condition that it is not reproduced, copied or disclosed to a third party, either wholly or in part, without the consent of HellermannTyton.

Drawn TAT 4/3/17
Approved EJH 5/31/17

HellermannTyton

North America
Email: corp@htamericas.com
Web: www.hellermann.tyton.com

Article/Type-No T50SMVCMOC5M

Title T50SMVC CABLE TIE COUPLED TO 5MM MOC

Drawing-No PRODUCTION : Phase

16-0313-302-CSU

Scale 1:1
Project Number 16-0313
Format AH
Sheet 1/1