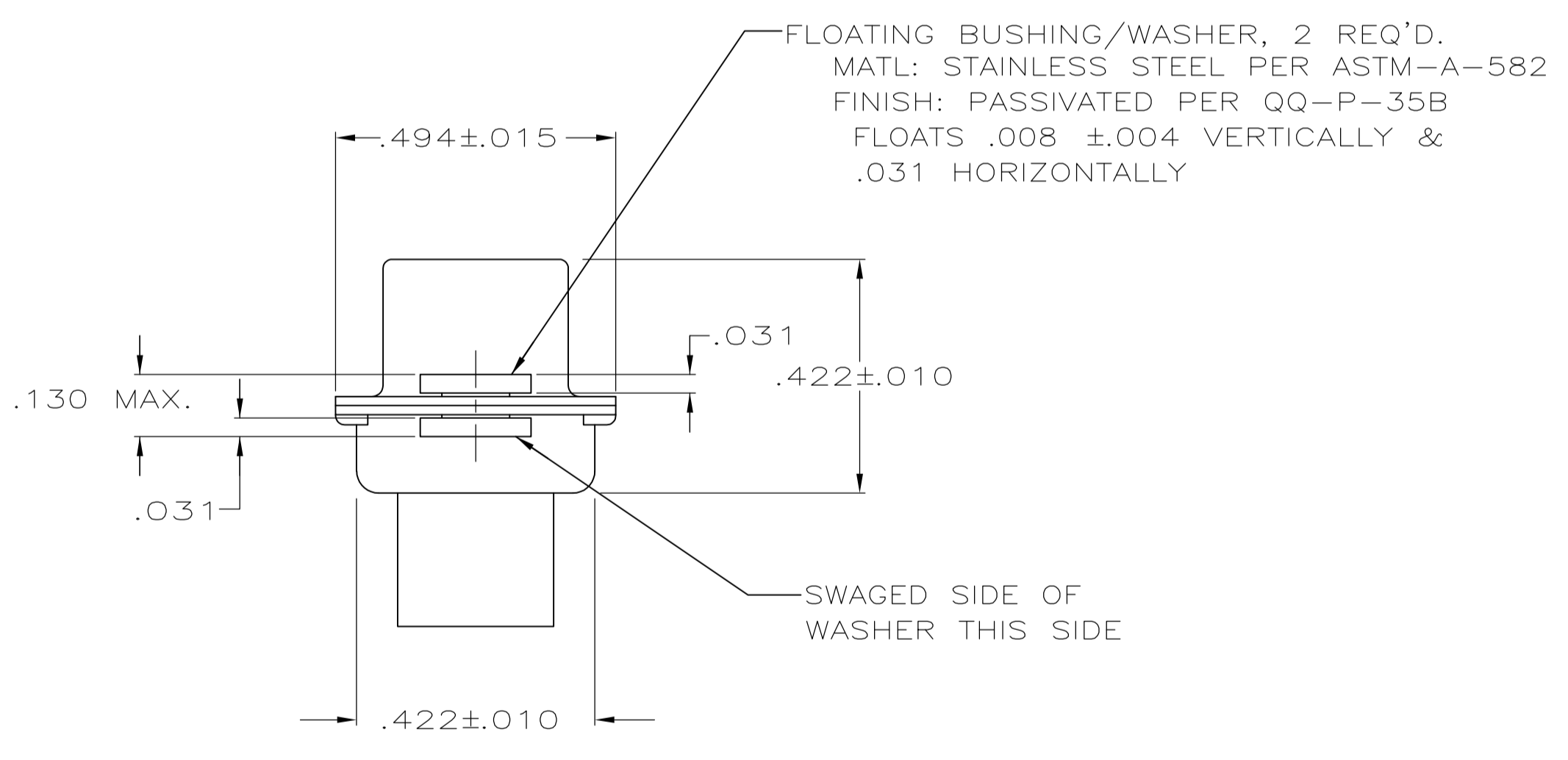
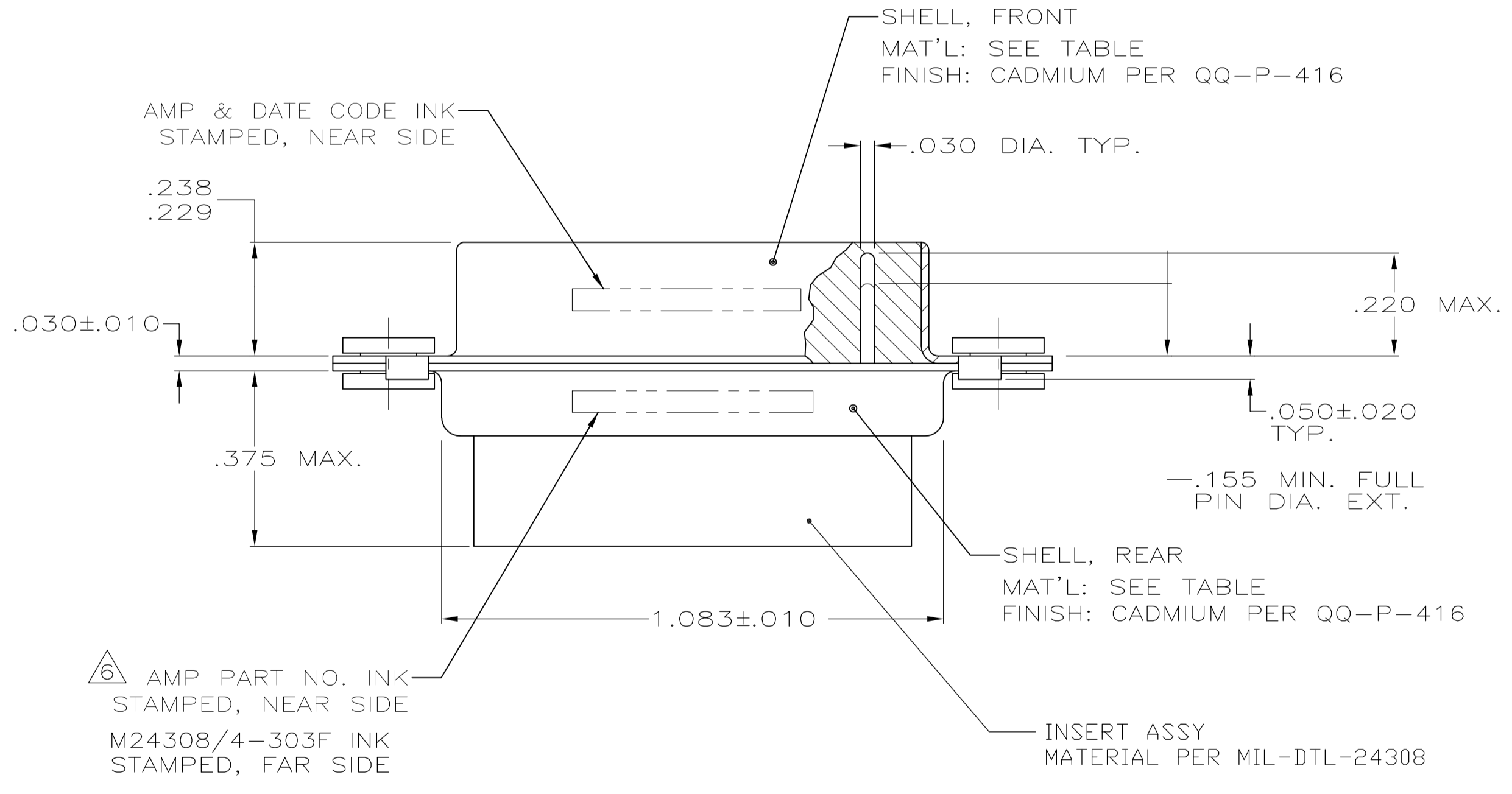
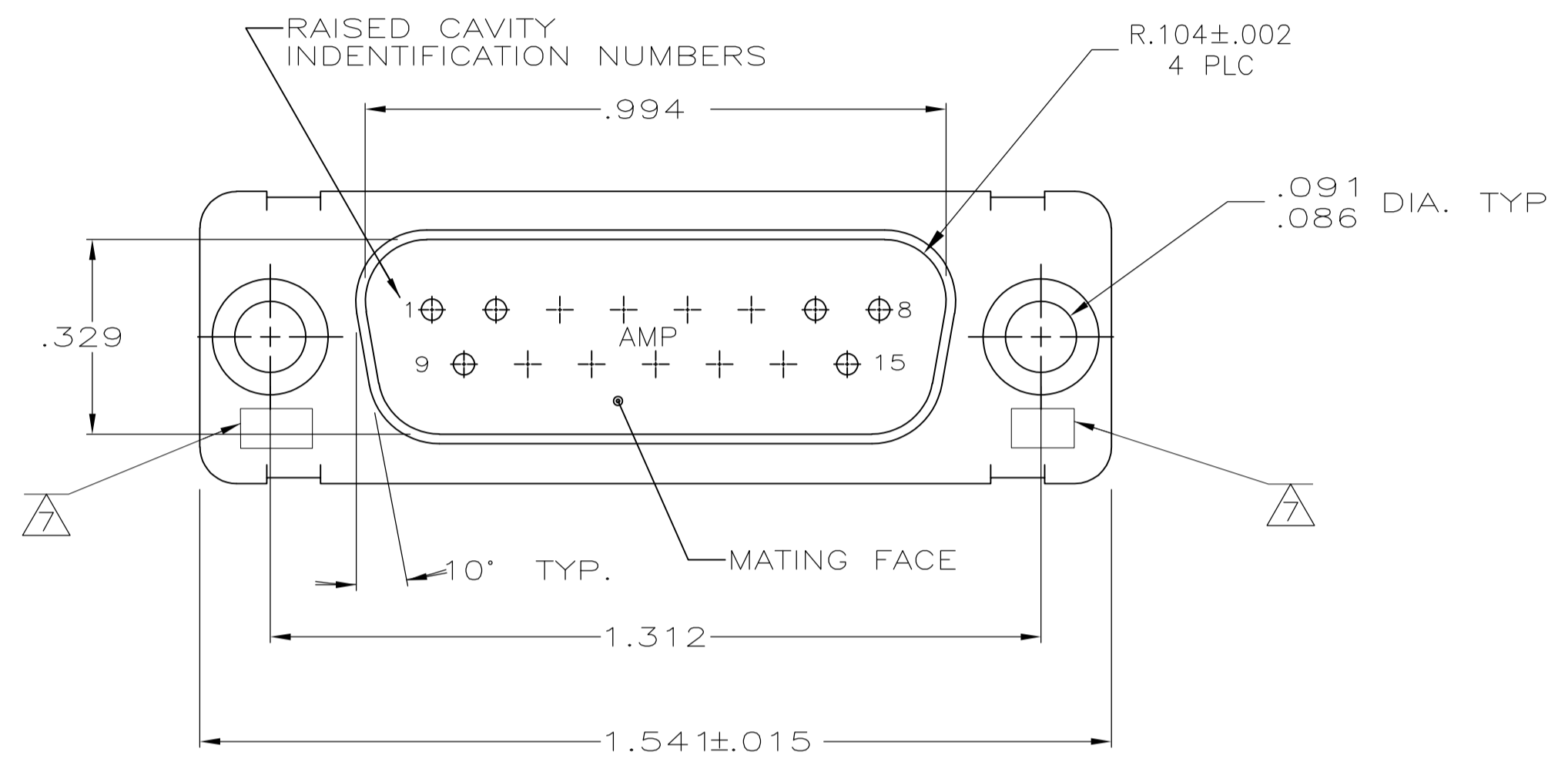


LOC		DIST		REVISIONS			
P	LTR	DESCRIPTION	DATE	DMN	APVD		
N	REV PER	ECO-15-016062	10NOV15	KG	CD		



1. THIS PLUG IS DESIGNED TO CONFORM TO THE LATEST ISSUE OF MIL-C-24308
  2. MAX WIRE INSUL. TO BE USED WITH THIS PLUG IS .068 DIA.
  3. STAINLESS STEEL RETENTION CLIPS ARE INCLUDED IN INSERTS
  4. PACKAGE STAMPED M 24308/4-325F
  5. THIS PLUG WILL ACCEPT SIZE 20 PIN CONTACT M24308/11 OR AMP # 205089
- TE PART NO. STAMPED ON CONNECTOR REPRESENTS KIT NUMBER WITH CONTACTS  
 UL/CSA DESIGNATION STAMPED IN THIS AREA.

OBSOLETE	BRASS	205408-2
	STEEL PER ASTM-A-109	205408-1
	SHELL MATERIAL	PART NO.

THIS DRAWING IS A CONTROLLED DOCUMENT.

DIMENSIONS: INCHES	TOLERANCES UNLESS OTHERWISE SPECIFIED:	DIN C.C.THOMAS 12-8-87	FC RALLEW III	12-10-87	APVD	NAME	TE Connectivity
0 PLC ± -	1 PLC ± -	2 PLC ± -	3 PLC ± .005	4 PLC ± -	ANGLES ± -	PRODUCT SPEC	PLUG ASSY,AMPLITE, HDM-20, SERIES 109 W/FLOAT BUSHINGS SIZE 2, 15 POSITION,
MATERIAL SEE CALLOUTS	FINISH SEE CALLOUTS	WEIGHT	SIZE	CAGE CODE	DRAWING NO	RESTRICTED TO	
			A1	00779	205408		
CUSTOMER DRAWING		SCALE	4:1	SHEET	1 OF 1	REV	N