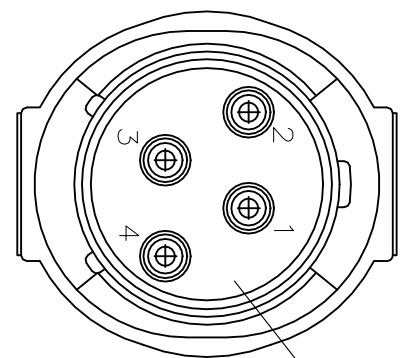
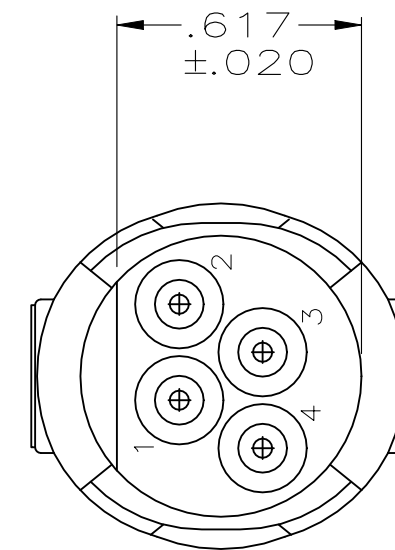
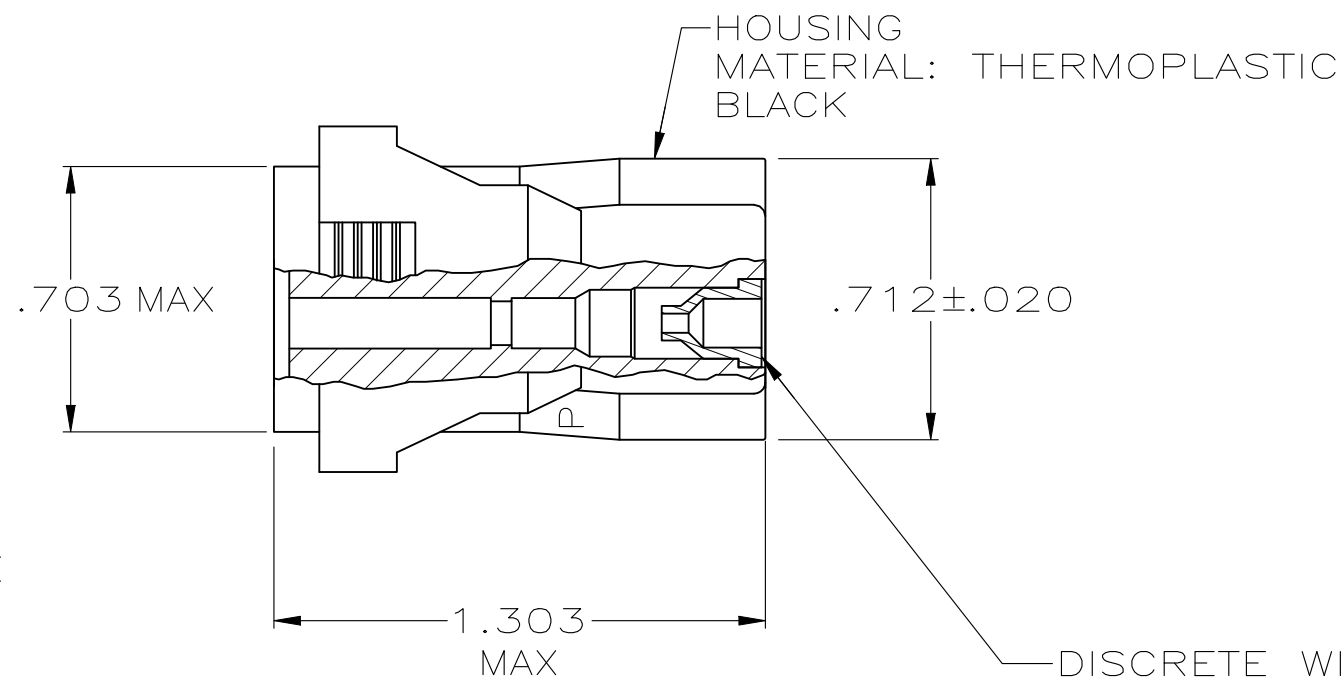


REVISIONS				
P	LTR	DESCRIPTION	DATE	APVD
	H	PER PCN E-20-018081	10MAR2021	SCK



MATING FACE



DISCRETE WIRE SEALS MATERIAL: ELASTOMER BLACK

1. WIRE INSULATION SEALING RANGE .070-.130 DIA.
2. THIN MEMBRANE PERMISSIBLE ON SMALL DIAMETER OF WIRE SEALS.

207571-1
PART NUMBER

THIS DRAWING IS A CONTROLLED DOCUMENT.		DWN J GALLUCCI BG 8-16-90	STE TE Connectivity			
DIMENSIONS: INCHES		CHK -				
TOLERANCES UNLESS OTHERWISE SPECIFIED:		APVD -	NAME PLUG, 4 POSITION, STANDARD CIRCULAR SEALED CONNECTOR			
0 PLC ± -		PRODUCT SPEC -				
1 PLC ± -		APPLICATION SPEC -	SIZE	CAGE CODE	DRAWING NO	RESTRICTED TO
2 PLC ± -		---	A3	00779	C-207571	-
3 PLC ± -		---	WEIGHT 0.000000			
4 PLC ± -		---	CUSTOMER DRAWING			
ANGLES ± -		---	SCALE 2:1	SHEET 1 OF 1	REV H	
FINISH -		---				
MATERIAL SEE CALLOUT		---				