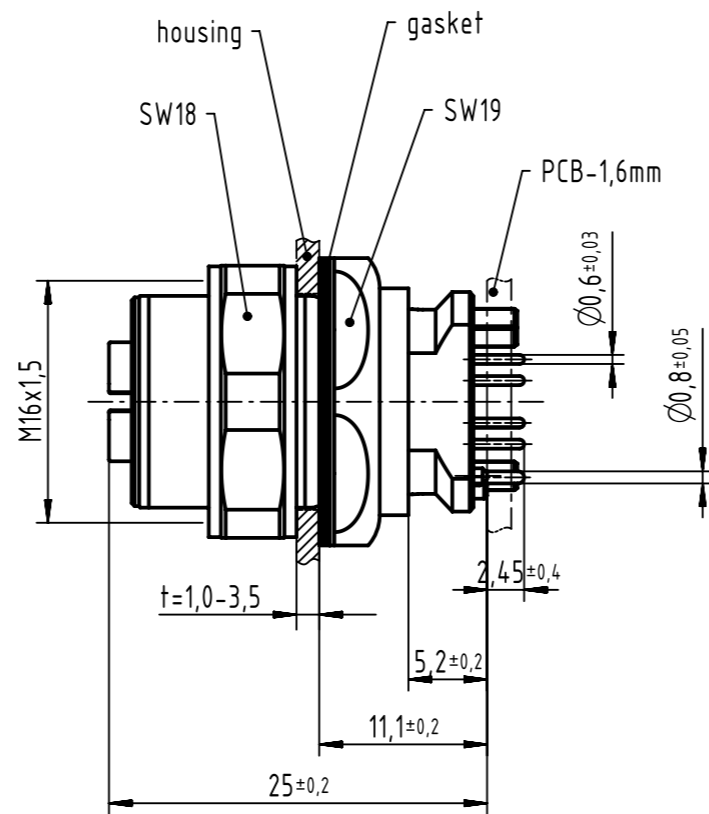
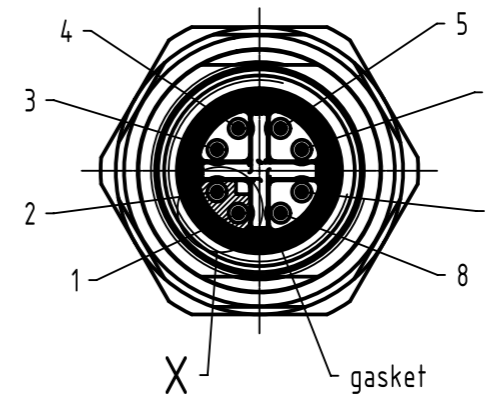


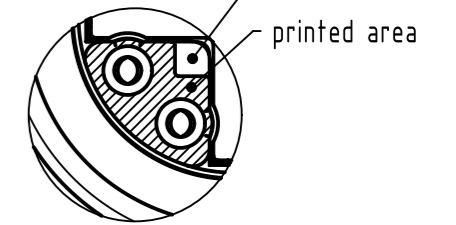
A



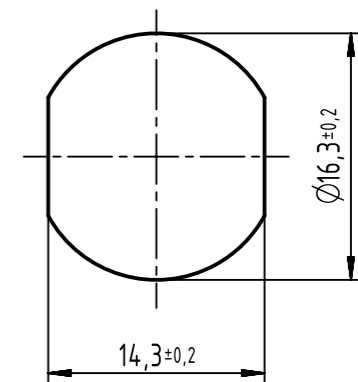
contact face acc. to IEC 61076-2-109



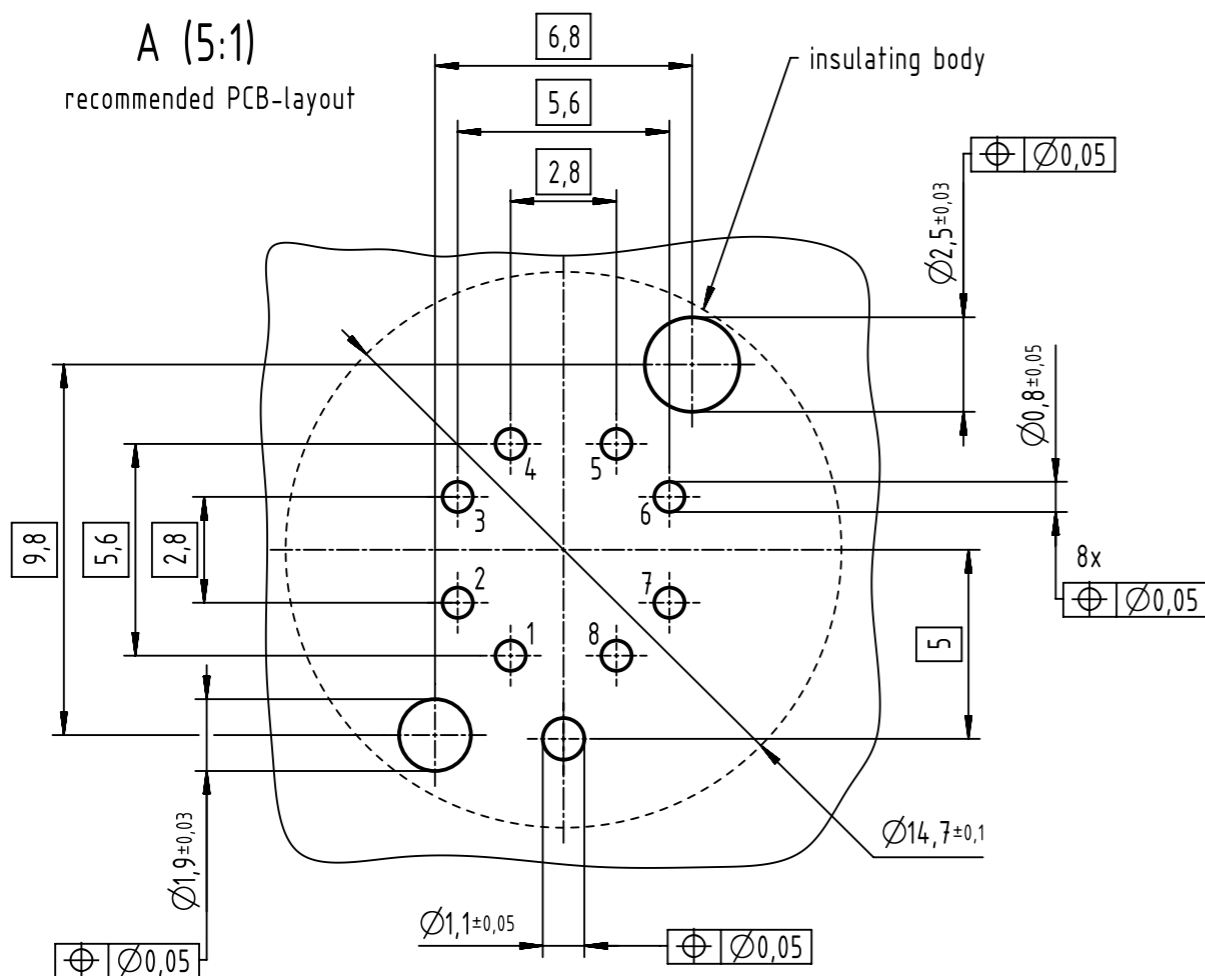
X (5:1)



panel cut out

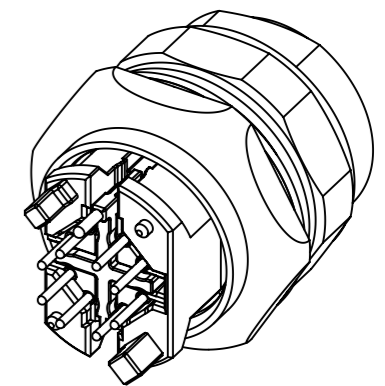


A (5:1)
recommended PCB-layout



- 500 mating cycles acc. to DIN EN 60512-9-1
- design for reflow soldering
- 60 pcs. tray package
- packed with pick&place-cap

pin assignment		
pin	Signal	pair
1	TD1+	2
2	RD1-	2
3	TD2+	3
4	RD2-	3
5	TD4+	4
6	RD4-	4
7	RD3-	1
8	TD3+	1



	All rights reserved Department EL PD	Created by DYCKC	Inspected by 104122	Standardisation KOHLER	Date 2020-06-02	State Final Release	Ref. Sub.
	HARTING Electronics GmbH D-32339 Espelkamp	Title har-speed M12 PCB Cat6A receptacle straight rear			Doc-Key / ECM-Nr. 100232902/UGD/003/G 500000169499		Rev. G Page 1/1