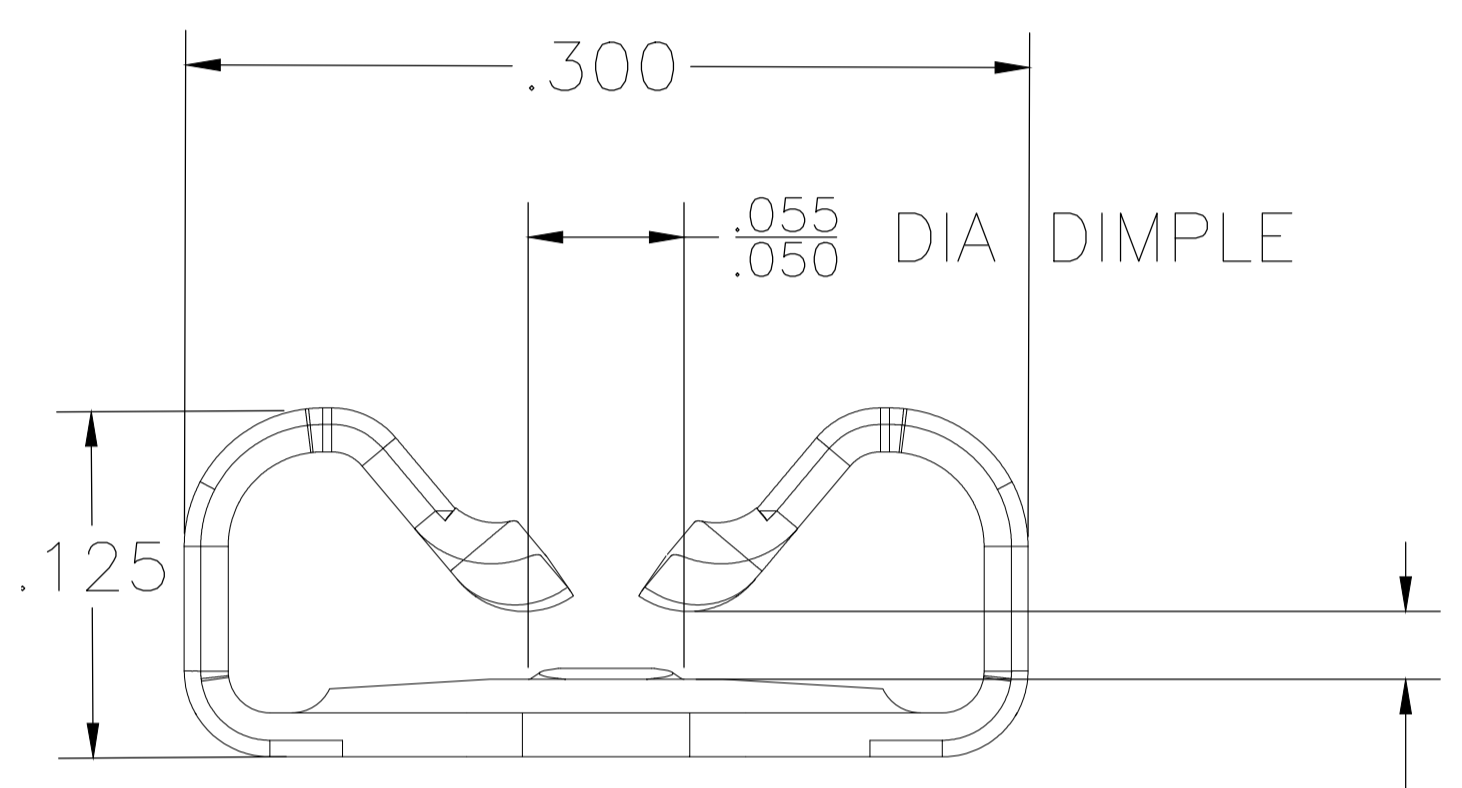
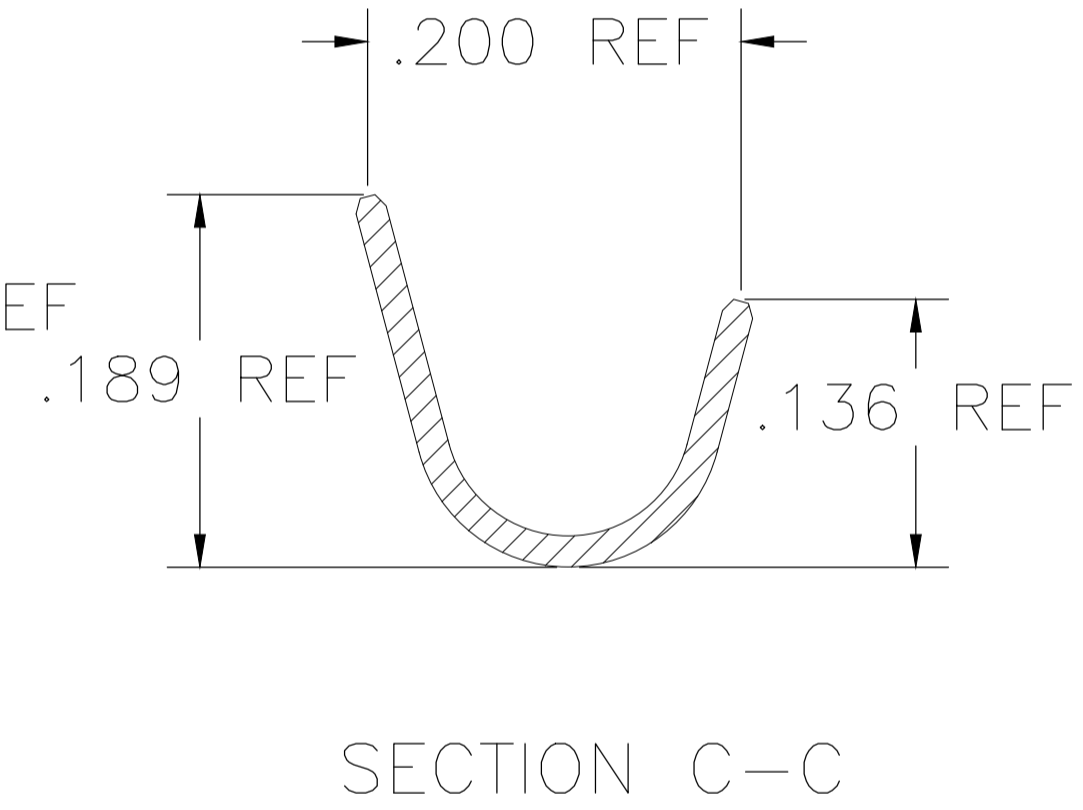
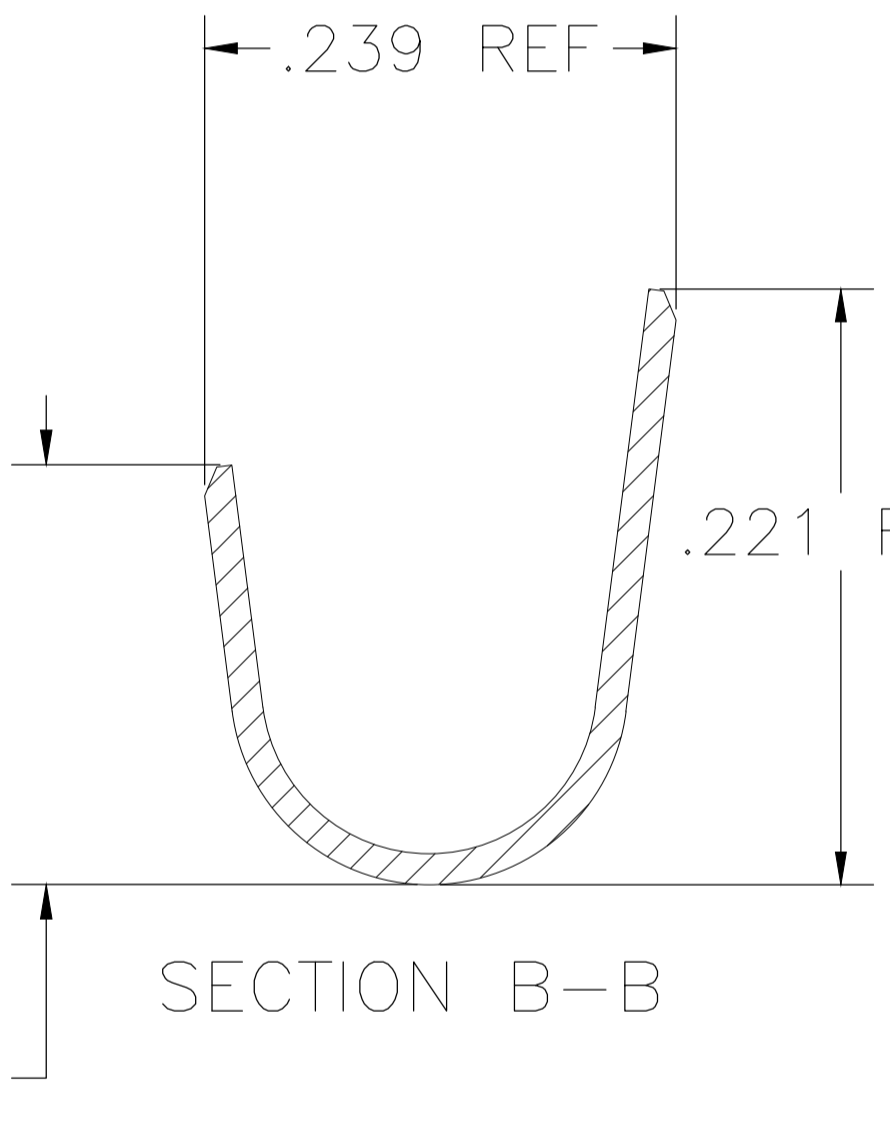
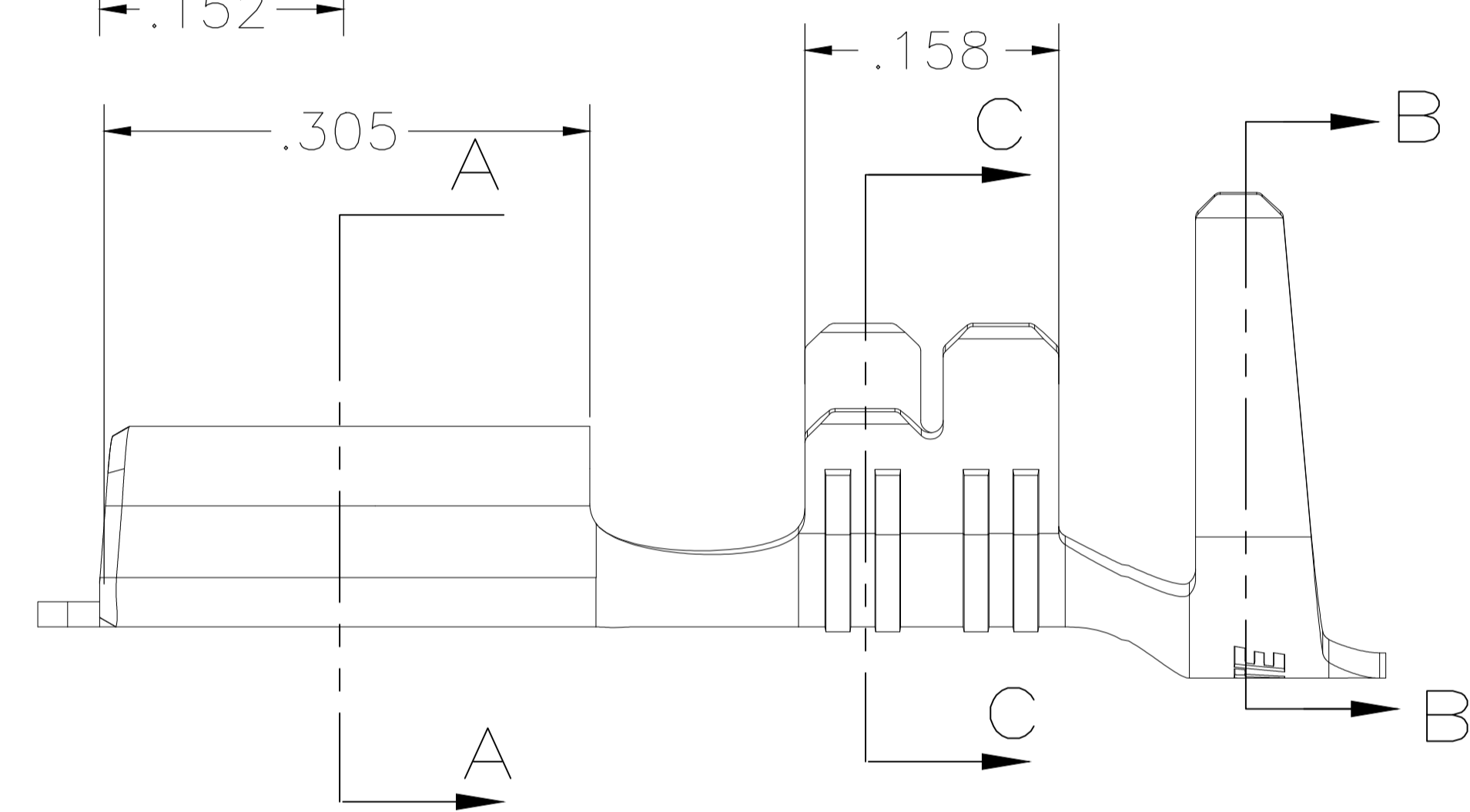
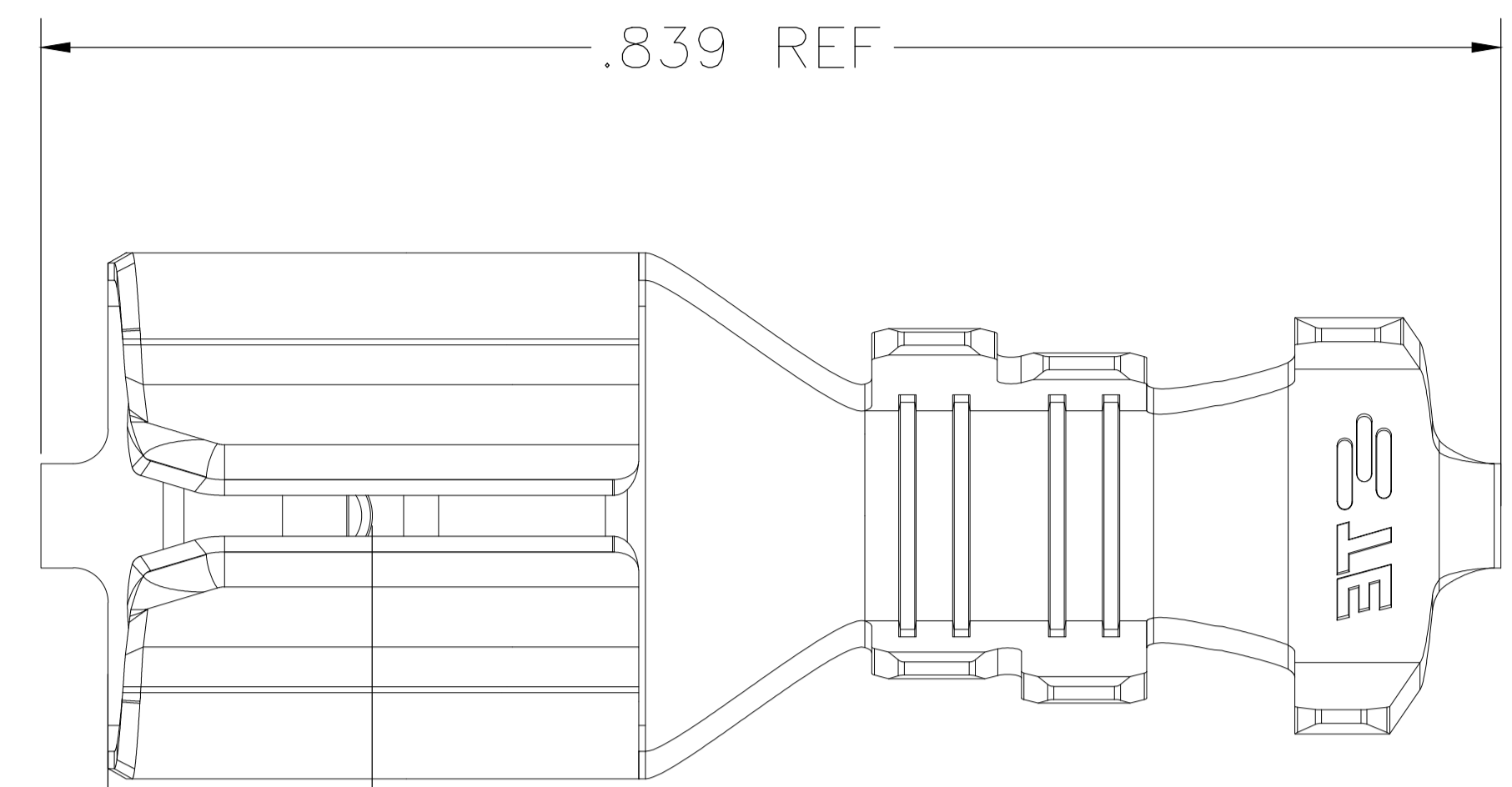
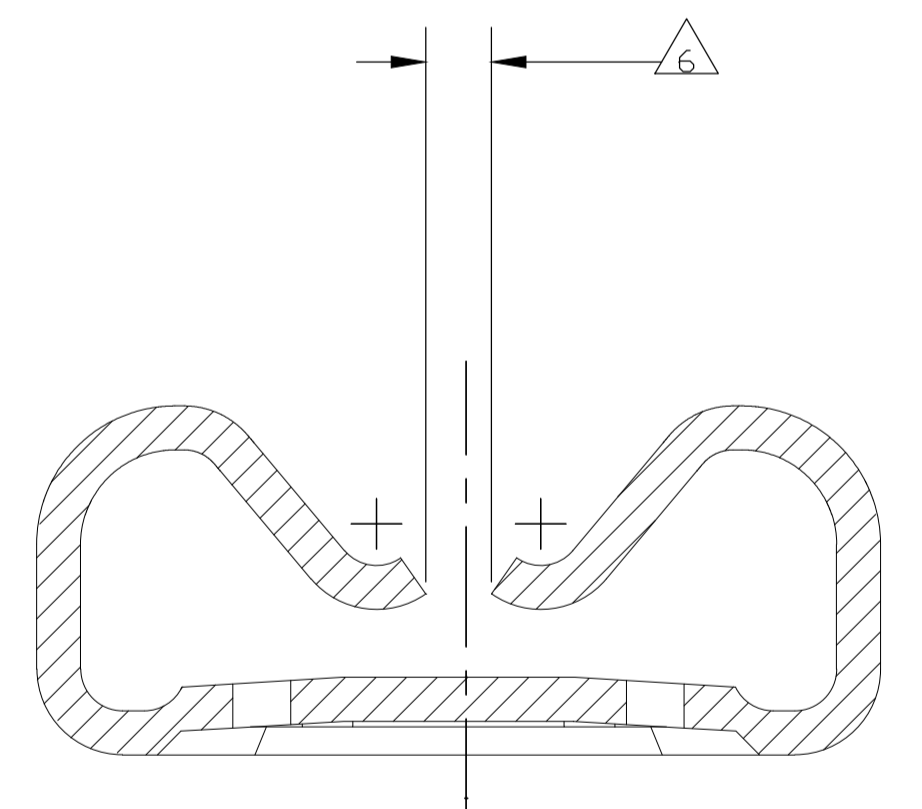


| REVISIONS | | | | | |
|-----------|-----|---------------------------|------------|-----|------|
| P | LTR | DESCRIPTION | DATE | DMN | APVD |
| A1 | | REVISED PER ECR-18-013271 | 09SEP2018 | BDA | DH |
| A2 | | REVISED PER ECR-20-009164 | 14JULY2020 | MK | DH |



GAP AS REQUIRED TO MEET FORCE SPECIFICATIONS AND .028 MAX



SECTION A-A

- 1 CONTINUOUS STRIP ON REELS.
 - 2 WIRE SIZE IS 22-12 AWG
 - 3 INSULATION RANGE IS [.074 - .157]
 - 4 MATING TAB THK IS .033 -.030
- ⚠ NOTE NOT USED
- ⚠ CONTACT ROLLS TO NOT TOUCH EACH OTHER.

| | | | |
|--|------------|---|------------------|
| OBSOLETE/SUPERSEDED BY 2238173-3 | TIN PLATED | BRASS | 2238173-3 |
| | TIN PLATED | BRASS | 2238173-1 |
| | FINISH | MATERIAL | PART NUMBER |
| THIS DRAWING IS A CONTROLLED DOCUMENT. | | DIVYA SHUKLA 29DEC2016 DAVID HUMPHREY 29DEC2016 TIM DING 29DEC2016 | |
| DIMENSIONS: INCHES 0 PLC ± - 1 PLC ± - 2 PLC ± - 3 PLC ± .01 4 PLC ± - ANGLES ± 1° | | NAME: FASTON .250 STD. REC. 2D STR PRODUCT SPEC: AWG 22-12 TPBR APPLICATION SPEC: | |
| MATERIAL: - | | SIZE: A1 | RESTRICTED TO: - |
| FINISH: - | | WEIGHT: 00779 | SCALE: 10:1 |
| CUSTOMER DRAWING | | DRAWING NO: 2238173 | SHEET 1 OF 1 |