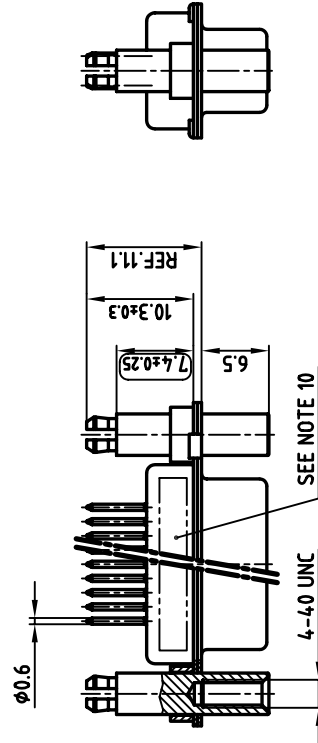
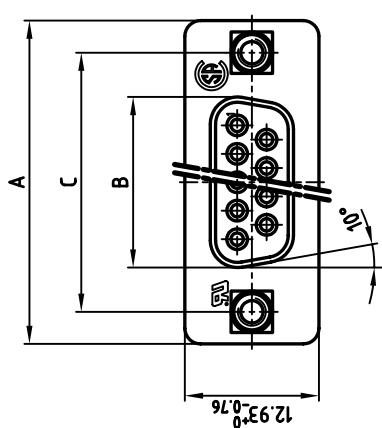
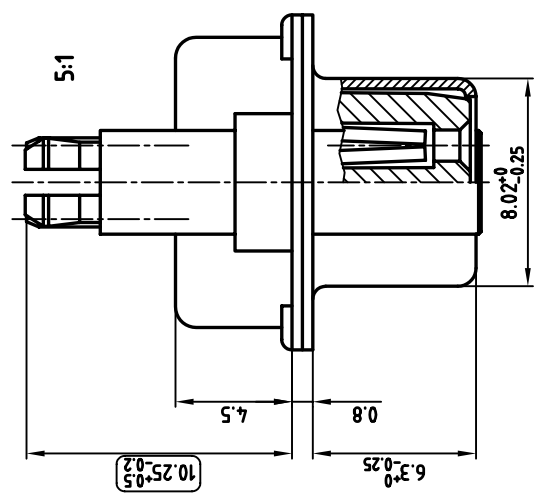


1 2 3 4 5 6 7 8

used for: D-SUB FILTER



**NOTES:**

1. METAL SHELLS: STEEL; min. 320µ" TIN
2. INSULATORS: PBT GF UL 94 V-0, BLACK
3. CONTACTS: COPPER ALLOY  
PLATING: 8µ" HARD GOLD OVER min. 50µ" NICKEL
4. THREADED LOCK/SPACER CLIP: COPPER ALLOY; min. 200µ" TIN over 80µ" NICKEL  
PCB-HOLE: φ3.1±0.1; PCB THICKNESS 1.6mm
5. COLLAR: COPPER ALLOY; min. 200µ" TIN over 80µ" NICKEL
6. P.C.B. HOLE DRILLINGS ON DRAWING NO.: 16K111UA
7. CAPACITANCE: 1300pF ±20%
8. DIELECTRIC WITHSTANDING VOLTAGE: 424 VDC
9. MAXIMUM TORQUE VALUE FOR THREAD: 6" LBS
10. CONNECTOR IS PART MARKED: [PART-NO.] CONEC [Y/WW]
11. [ ] = CHECK DIMENSION



APPROVAL # FREIGABE # DEBLOCKAGE # AUTORIZACION # APPROVAL

CUSTOMER APPROVAL DATE:

NAME: TITLE:

COMPANY NAME:

APPROVAL # FREIGABE # DEBLOCKAGE # AUTORIZACION # APPROVAL

DO NOT ALTER CAD DRAWING BY HAND

OWNERSHIP AND COPYRIGHT OF CONEC GMBH

WRITTEN PERMISSION

REPRODUCED IN ANY WAY, AND MAY NOT BE PASSED ON TO A THIRD PARTY WITHOUT

THIS DRAWING MAY NOT BE COPIED OR

rev.	description	date	name

tolerance	dim. in mm
2003	date
drawn	12.06.
Lehmann/klüber	name
appl.	12.06.
norm	DIN 41652
6-old	

scale: 2:1 (5:1)

material: SEE NOTES

title: D-SUB FILTER FEMALE

9-37pos. SOLDER PIN STRAIGHT with threaded lock and spacer clip

AutoCAD#000

DIN-A 3

sh: 1/1

dwg no: 24K1A396

part no: SEE TABLE

POS.	A	B	C	PART NO.
9	31.19	16.46	25.00 <sup>+0.12</sup> <sub>-0.13</sub>	242A15330X
15	39.52	24.79	33.30 <sup>+0.15</sup> <sub>-0.1</sub>	242A15340X
25	53.42	38.50	47.04 <sup>+0.13</sup>	242A15350X
37	69.70	54.96	63.50 <sup>+0.13</sup>	242A15360X

1 2 3 4 5 6 7 8