



Power contactor, AC-3 265 A, 132 kW / 400 V Coil AC 50/60 Hz and DC 200-277 V x (0.8-1.1) F-SPS input 24 V DC 3-pole size S10 Auxiliary contacts 2 NO + 2 NC permanently mounted Main circuit: Busbar Control and auxiliary circuit: Screw terminal

product brand name	SIRIUS
product designation	Power contactor
product type designation	3RT1
General technical data	
size of contactor	S10
product extension	
<ul style="list-style-type: none"> function module for communication auxiliary switch 	<p>No</p> <p>Yes</p>
power loss [W] for rated value of the current	
<ul style="list-style-type: none"> at AC in hot operating state at AC in hot operating state per pole without load current share typical 	<p>54 W</p> <p>18 W</p> <p>3.4 W</p>
insulation voltage	
<ul style="list-style-type: none"> of main circuit with degree of pollution 3 rated value of auxiliary circuit with degree of pollution 3 rated value 	<p>1 000 V</p> <p>500 V</p>
surge voltage resistance	
<ul style="list-style-type: none"> of main circuit rated value of auxiliary circuit rated value 	<p>8 kV</p> <p>6 kV</p>
maximum permissible voltage for safe isolation between coil and main contacts according to EN 60947-1	690 V
shock resistance at rectangular impulse	
<ul style="list-style-type: none"> at AC at DC 	<p>8,5g / 5 ms, 4,2g / 10 ms</p> <p>8,5g / 5 ms, 4,2g / 10 ms</p>
shock resistance with sine pulse	
<ul style="list-style-type: none"> at AC at DC 	<p>13,4g / 5 ms, 6,5g / 10 ms</p> <p>13,4g / 5 ms, 6,5g / 10 ms</p>
mechanical service life (switching cycles)	
<ul style="list-style-type: none"> of contactor typical of the contactor with added electronically optimized auxiliary switch block typical of the contactor with added auxiliary switch block typical 	<p>10 000 000</p> <p>5 000 000</p> <p>10 000 000</p>
reference code according to IEC 81346-2	Q
Substance Prohibitance (Date)	03/01/2017
Ambient conditions	
installation altitude at height above sea level maximum	2 000 m
ambient temperature	
<ul style="list-style-type: none"> during operation during storage 	<p>-25 ... +60 °C</p> <p>-55 ... +80 °C</p>

relative humidity minimum	10 %
relative humidity at 55 °C according to IEC 60068-2-30 maximum	95 %
Main circuit	
number of poles for main current circuit	3
number of NO contacts for main contacts	3
operating voltage	
• at AC-3 rated value maximum	1 000 V
• at AC-3e rated value maximum	1 000 V
operational current	
• at AC-1 at 400 V at ambient temperature 40 °C rated value	330 A
• at AC-1	
— up to 690 V at ambient temperature 40 °C rated value	330 A
— up to 690 V at ambient temperature 60 °C rated value	300 A
— up to 1000 V at ambient temperature 40 °C rated value	150 A
— up to 1000 V at ambient temperature 60 °C rated value	150 A
• at AC-3	
— at 400 V rated value	265 A
— at 500 V rated value	265 A
— at 690 V rated value	265 A
— at 1000 V rated value	95 A
• at AC-3e	
— at 400 V rated value	265 A
— at 500 V rated value	265 A
— at 1000 V rated value	95 A
• at AC-4 at 400 V rated value	230 A
• at AC-5a up to 690 V rated value	290 A
• at AC-5b up to 400 V rated value	219 A
• at AC-6a	
— up to 230 V for current peak value n=20 rated value	265 A
— up to 400 V for current peak value n=20 rated value	265 A
— up to 500 V for current peak value n=20 rated value	265 A
— up to 690 V for current peak value n=20 rated value	265 A
— up to 1000 V for current peak value n=20 rated value	95 A
• at AC-6a	
— up to 230 V for current peak value n=30 rated value	184 A
— up to 400 V for current peak value n=30 rated value	184 A
— up to 500 V for current peak value n=30 rated value	184 A
— up to 690 V for current peak value n=30 rated value	184 A
— up to 1000 V for current peak value n=30 rated value	95 A
minimum cross-section in main circuit at maximum AC-1 rated value	185 mm ²
operational current for approx. 200000 operating cycles at AC-4	
• at 400 V rated value	117 A
• at 690 V rated value	105 A
operational current	
• at 1 current path at DC-1	
— at 24 V rated value	300 A

— at 110 V rated value	33 A
— at 220 V rated value	3.8 A
— at 440 V rated value	0.9 A
— at 600 V rated value	0.6 A
● with 2 current paths in series at DC-1	
— at 24 V rated value	300 A
— at 110 V rated value	300 A
— at 220 V rated value	300 A
— at 440 V rated value	4 A
— at 600 V rated value	2 A
● with 3 current paths in series at DC-1	
— at 24 V rated value	300 A
— at 110 V rated value	300 A
— at 220 V rated value	300 A
— at 440 V rated value	11 A
— at 600 V rated value	5.2 A
● at 1 current path at DC-3 at DC-5	
— at 24 V rated value	300 A
— at 110 V rated value	3 A
— at 220 V rated value	0.6 A
— at 440 V rated value	0.18 A
— at 600 V rated value	0.125 A
● with 2 current paths in series at DC-3 at DC-5	
— at 24 V rated value	300 A
— at 110 V rated value	300 A
— at 220 V rated value	2.5 A
— at 440 V rated value	0.65 A
— at 600 V rated value	0.37 A
● with 3 current paths in series at DC-3 at DC-5	
— at 24 V rated value	300 A
— at 110 V rated value	300 A
— at 220 V rated value	300 A
— at 440 V rated value	1.4 A
— at 600 V rated value	0.75 A
operating power	
● at AC-2 at 400 V rated value	132 kW
● at AC-3	
— at 230 V rated value	75 kW
— at 400 V rated value	132 kW
— at 500 V rated value	160 kW
— at 690 V rated value	250 kW
— at 1000 V rated value	132 kW
● at AC-3e	
— at 230 V rated value	75 kW
— at 400 V rated value	132 kW
— at 500 V rated value	160 kW
— at 1000 V rated value	132 kW
operating power for approx. 200000 operating cycles at AC-4	
● at 400 V rated value	66 kW
● at 690 V rated value	102 kW
operating apparent power at AC-6a	
● up to 230 V for current peak value n=20 rated value	100 000 kVA
● up to 400 V for current peak value n=20 rated value	180 000 VA
● up to 500 V for current peak value n=20 rated value	220 000 VA
● up to 690 V for current peak value n=20 rated value	310 000 VA
● up to 1000 V for current peak value n=20 rated value	160 000 VA
operating apparent power at AC-6a	
● up to 230 V for current peak value n=30 rated value	70 000 VA
● up to 400 V for current peak value n=30 rated value	120 000 VA

<ul style="list-style-type: none"> • up to 500 V for current peak value n=30 rated value • up to 690 V for current peak value n=30 rated value • up to 1000 V for current peak value n=30 rated value 	150 000 VA 220 000 VA 160 000 VA
short-time withstand current in cold operating state up to 40 °C <ul style="list-style-type: none"> • limited to 1 s switching at zero current maximum • limited to 5 s switching at zero current maximum • limited to 10 s switching at zero current maximum • limited to 30 s switching at zero current maximum • limited to 60 s switching at zero current maximum 	4 880 A; Use minimum cross-section acc. to AC-1 rated value 4 045 A; Use minimum cross-section acc. to AC-1 rated value 2 785 A; Use minimum cross-section acc. to AC-1 rated value 1 664 A; Use minimum cross-section acc. to AC-1 rated value 1 276 A; Use minimum cross-section acc. to AC-1 rated value
no-load switching frequency <ul style="list-style-type: none"> • at AC • at DC 	1 000 1/h 1 000 1/h
operating frequency <ul style="list-style-type: none"> • at AC-1 maximum • at AC-2 maximum • at AC-3 maximum • at AC-3e maximum • at AC-4 maximum 	750 1/h 300 1/h 700 1/h 700 1/h 130 1/h
Control circuit/ Control	
type of voltage of the control supply voltage	AC/DC
control supply voltage at AC <ul style="list-style-type: none"> • at 50 Hz rated value • at 60 Hz rated value 	200 ... 277 V 200 ... 277 V
control supply voltage at DC <ul style="list-style-type: none"> • rated value 	200 ... 277 V
type of PLC-control input according to IEC 60947-1	Type 1
consumed current at PLC-control input according to IEC 60947-1 maximum	14 mA
voltage at PLC-control input rated value	24 V
operating range factor of the voltage at PLC-control input	0.8 ... 1.1
operating range factor control supply voltage rated value of magnet coil at DC <ul style="list-style-type: none"> • initial value • full-scale value 	0.8 1.1
operating range factor control supply voltage rated value of magnet coil at AC <ul style="list-style-type: none"> • at 50 Hz • at 60 Hz 	0.8 ... 1.1 0.8 ... 1.1
design of the surge suppressor	with varistor
apparent pick-up power of magnet coil at AC <ul style="list-style-type: none"> • at 50 Hz • at 60 Hz 	530 VA 530 VA
inductive power factor with closing power of the coil <ul style="list-style-type: none"> • at 50 Hz • at 60 Hz 	0.8 0.8
apparent holding power of magnet coil at AC <ul style="list-style-type: none"> • at 50 Hz • at 60 Hz 	5 VA 5 VA
inductive power factor with the holding power of the coil <ul style="list-style-type: none"> • at 50 Hz • at 60 Hz 	0.5 0.5
closing power of magnet coil at DC	580 W
holding power of magnet coil at DC	3.4 W
closing delay <ul style="list-style-type: none"> • at AC • at DC 	60 ... 75 ms 60 ... 75 ms
opening delay <ul style="list-style-type: none"> • at AC 	115 ... 130 ms

<ul style="list-style-type: none"> • at DC 	115 ... 130 ms
recovery time after power failure typical	2 s
arcing time	10 ... 15 ms
control version of the switch operating mechanism	Fail-safe PLC input (F-PLC-IN)
Auxiliary circuit	
number of NC contacts for auxiliary contacts instantaneous contact	2
number of NO contacts for auxiliary contacts instantaneous contact	2
operational current at AC-12 maximum	10 A
operational current at AC-15	
<ul style="list-style-type: none"> • at 230 V rated value • at 400 V rated value • at 500 V rated value • at 690 V rated value 	6 A 3 A 2 A 1 A
operational current at DC-12	
<ul style="list-style-type: none"> • at 24 V rated value • at 48 V rated value • at 60 V rated value • at 110 V rated value • at 125 V rated value • at 220 V rated value • at 600 V rated value 	10 A 6 A 6 A 3 A 2 A 1 A 0.15 A
operational current at DC-13	
<ul style="list-style-type: none"> • at 24 V rated value • at 48 V rated value • at 60 V rated value • at 110 V rated value • at 125 V rated value • at 220 V rated value • at 600 V rated value 	10 A 2 A 2 A 1 A 0.9 A 0.3 A 0.1 A
contact reliability of auxiliary contacts	1 faulty switching per 100 million (17 V, 1 mA)
UL/CSA ratings	
full-load current (FLA) for 3-phase AC motor	
<ul style="list-style-type: none"> • at 480 V rated value • at 600 V rated value 	240 A 242 A
yielded mechanical performance [hp]	
<ul style="list-style-type: none"> • for 3-phase AC motor <ul style="list-style-type: none"> — at 200/208 V rated value — at 220/230 V rated value — at 460/480 V rated value — at 575/600 V rated value 	75 hp 100 hp 200 hp 250 hp
contact rating of auxiliary contacts according to UL	A600 / P600
Short-circuit protection	
design of the fuse link	
<ul style="list-style-type: none"> • for short-circuit protection of the main circuit <ul style="list-style-type: none"> — with type of coordination 1 required — with type of assignment 2 required • for short-circuit protection of the auxiliary switch required 	gG: 500 A (690 V, 100 kA) gG: 400 A (690 V, 100 kA), aM: 315 A (690 V, 50 kA), BS88: 400 A (415 V, 50 kA) gG: 10 A (500 V, 1 kA)
Installation/ mounting/ dimensions	
mounting position	with vertical mounting surface +/-90° rotatable, with vertical mounting surface +/- 22.5° tiltable to the front and back
fastening method	screw fixing
<ul style="list-style-type: none"> • side-by-side mounting 	Yes
height	210 mm
width	145 mm
depth	202 mm
required spacing	
<ul style="list-style-type: none"> • with side-by-side mounting 	

— forwards	20 mm
— upwards	10 mm
— downwards	10 mm
— at the side	0 mm
● for grounded parts	
— forwards	20 mm
— upwards	10 mm
— at the side	10 mm
— downwards	10 mm
● for live parts	
— forwards	20 mm
— upwards	10 mm
— downwards	10 mm
— at the side	10 mm

Connections/ Terminals

type of electrical connection	
<ul style="list-style-type: none"> ● for main current circuit ● for auxiliary and control circuit ● at contactor for auxiliary contacts ● of magnet coil 	Connection bar screw-type terminals Screw-type terminals Screw-type terminals
width of connection bar	25 mm
thickness of connection bar	6 mm
diameter of holes	11 mm
number of holes	1
type of connectable conductor cross-sections	
<ul style="list-style-type: none"> ● at AWG cables for main contacts 	2/0 ... 500 kcmil
connectable conductor cross-section for main contacts	
<ul style="list-style-type: none"> ● stranded 	70 ... 240 mm ²
connectable conductor cross-section for auxiliary contacts	
<ul style="list-style-type: none"> ● solid or stranded ● finely stranded with core end processing 	0.5 ... 4 mm ² 0.5 ... 2.5 mm ²
type of connectable conductor cross-sections	
<ul style="list-style-type: none"> ● for auxiliary contacts <ul style="list-style-type: none"> — solid — solid or stranded — finely stranded with core end processing ● at AWG cables for auxiliary contacts 	2x (0.5 ... 1.5 mm ²), 2x (0.75 ... 2.5 mm ²), max. 2x (0.75 ... 4 mm ²) 2x (0,5 ... 1,5 mm ²), 2x (0,75 ... 2,5 mm ²), max. 2x (0,75 ... 4 mm ²) 2x (0.5 ... 1.5 mm ²), 2x (0.75 ... 2.5 mm ²) 2x (20 ... 16), 2x (18 ... 14), 1x 12
AWG number as coded connectable conductor cross section	
<ul style="list-style-type: none"> ● for auxiliary contacts 	18 ... 14

Safety related data

product function	
<ul style="list-style-type: none"> ● mirror contact according to IEC 60947-4-1 ● positively driven operation according to IEC 60947-5-1 	Yes No
safety device type according to IEC 61508-2	Type B
B10 value with high demand rate according to SN 31920	1 000 000
Safety Integrity Level (SIL) according to IEC 61508	2
SIL Claim Limit (subsystem) according to EN 62061	2
performance level (PL) according to EN ISO 13849-1	c
category according to EN ISO 13849-1	2
stop category according to EN 60204-1	0
Safe failure fraction (SFF)	93 %
failure rate [FIT] with low demand rate according to SN 31920	100 FIT
PFHD with high demand rate according to EN 62061	0.00000045 1/h
PFDAvg with low demand rate according to IEC 61508	0.007
MTBF	75 y
hardware fault tolerance according to IEC 61508	0

T1 value for proof test interval or service life according to IEC 61508	20 y
protection class IP on the front according to IEC 60529	IP00; IP20 with box terminal/cover
touch protection on the front according to IEC 60529	finger-safe, for vertical contact from the front with box terminal/cover
suitability for use <ul style="list-style-type: none"> • safety-related switching on • safety-related switching OFF 	No Yes

Certificates/ approvals

General Product Approval



[Confirmation](#)



[KC](#)



EMC	Functional Safety/Safety of Machinery	Declaration of Conformity	Test Certificates	other
-----	---------------------------------------	---------------------------	-------------------	-------



[Type Examination Certificate](#)



EG-Konf.

[Special Test Certificate](#)

[Type Test Certificates/Test Report](#)

[Confirmation](#)

other	Railway
-------	---------

[Miscellaneous](#)

[Miscellaneous](#)

[Special Test Certificate](#)

Further information

Information- and Downloadcenter (Catalogs, Brochures,...)

<https://www.siemens.com/ic10>

Industry Mall (Online ordering system)

<https://mall.industry.siemens.com/mall/en/en/Catalog/product?mlfb=3RT1065-6SP36-3PA0>

Cax online generator

<http://support.automation.siemens.com/WW/CAXorder/default.aspx?lang=en&mlfb=3RT1065-6SP36-3PA0>

Service&Support (Manuals, Certificates, Characteristics, FAQs,...)

<https://support.industry.siemens.com/cs/ww/en/ps/3RT1065-6SP36-3PA0>

Image database (product images, 2D dimension drawings, 3D models, device circuit diagrams, EPLAN macros, ...)

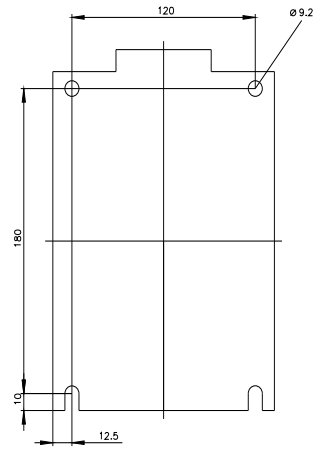
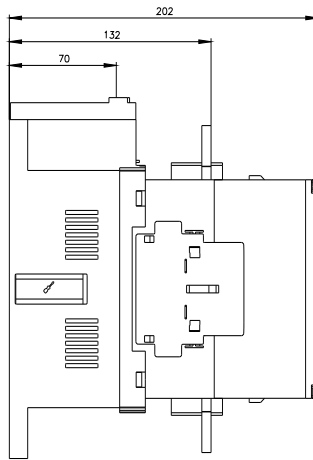
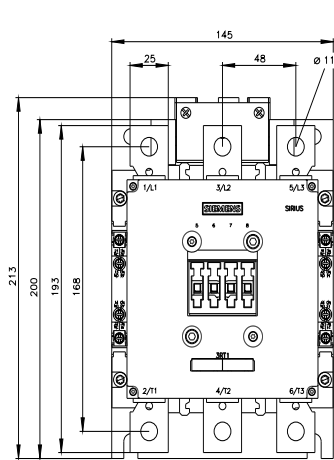
http://www.automation.siemens.com/bilddb/cax_de.aspx?mlfb=3RT1065-6SP36-3PA0&lang=en

Characteristic: Tripping characteristics, I^t, Let-through current

<https://support.industry.siemens.com/cs/ww/en/ps/3RT1065-6SP36-3PA0/char>

Further characteristics (e.g. electrical endurance, switching frequency)

<http://www.automation.siemens.com/bilddb/index.aspx?view=Search&mlfb=3RT1065-6SP36-3PA0&objecttype=14&gridview=view1>



last modified:

3/24/2022 