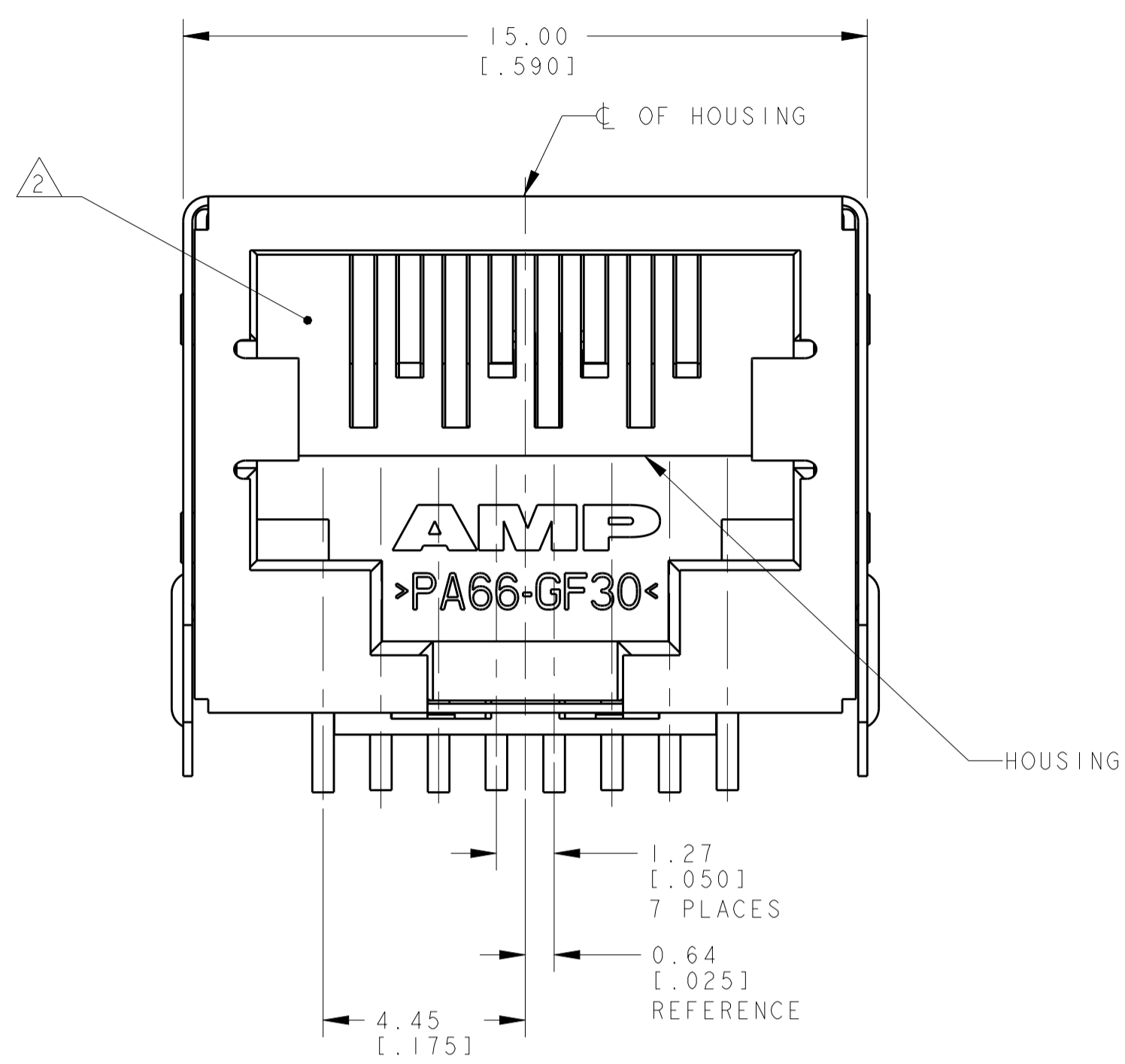
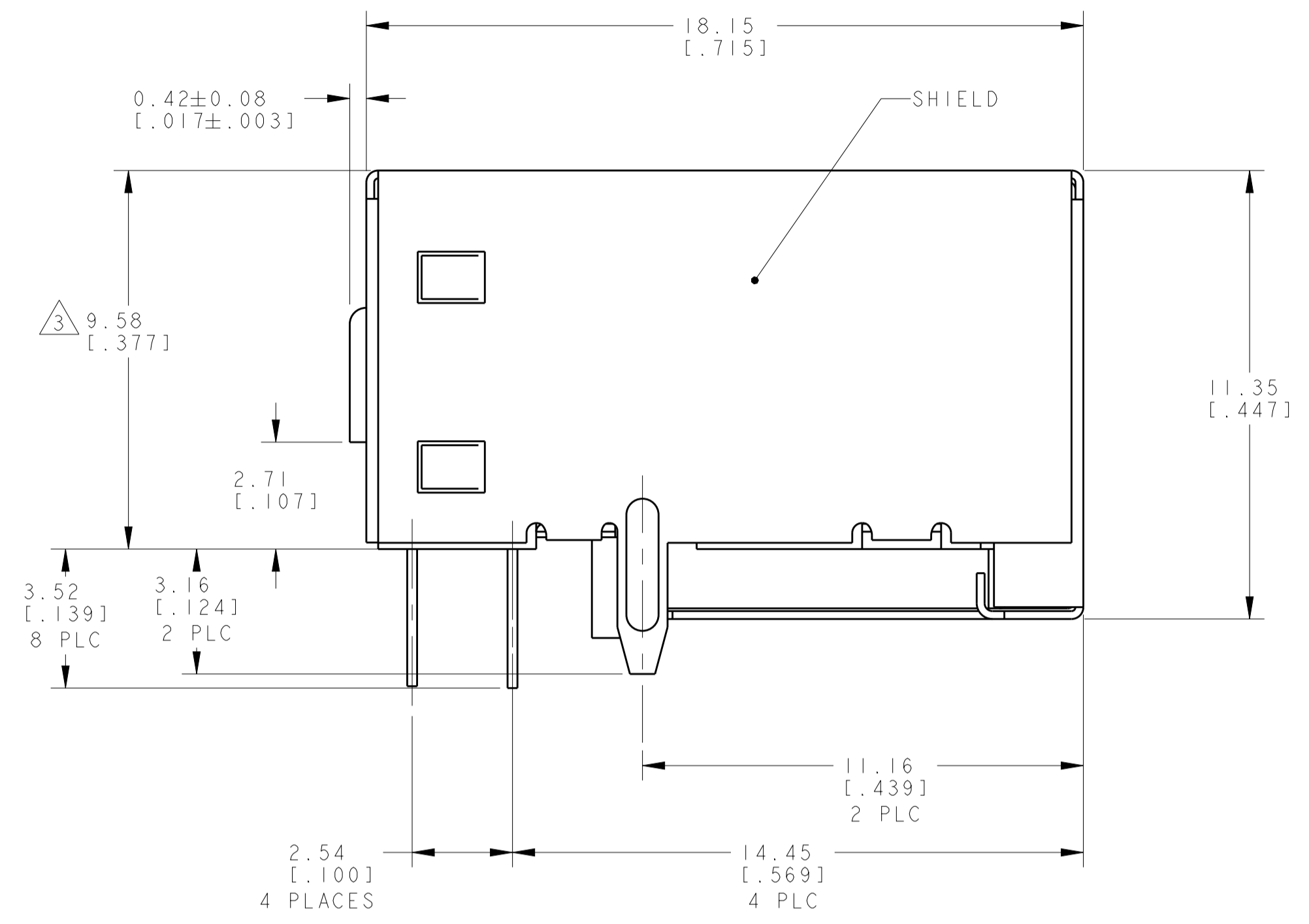
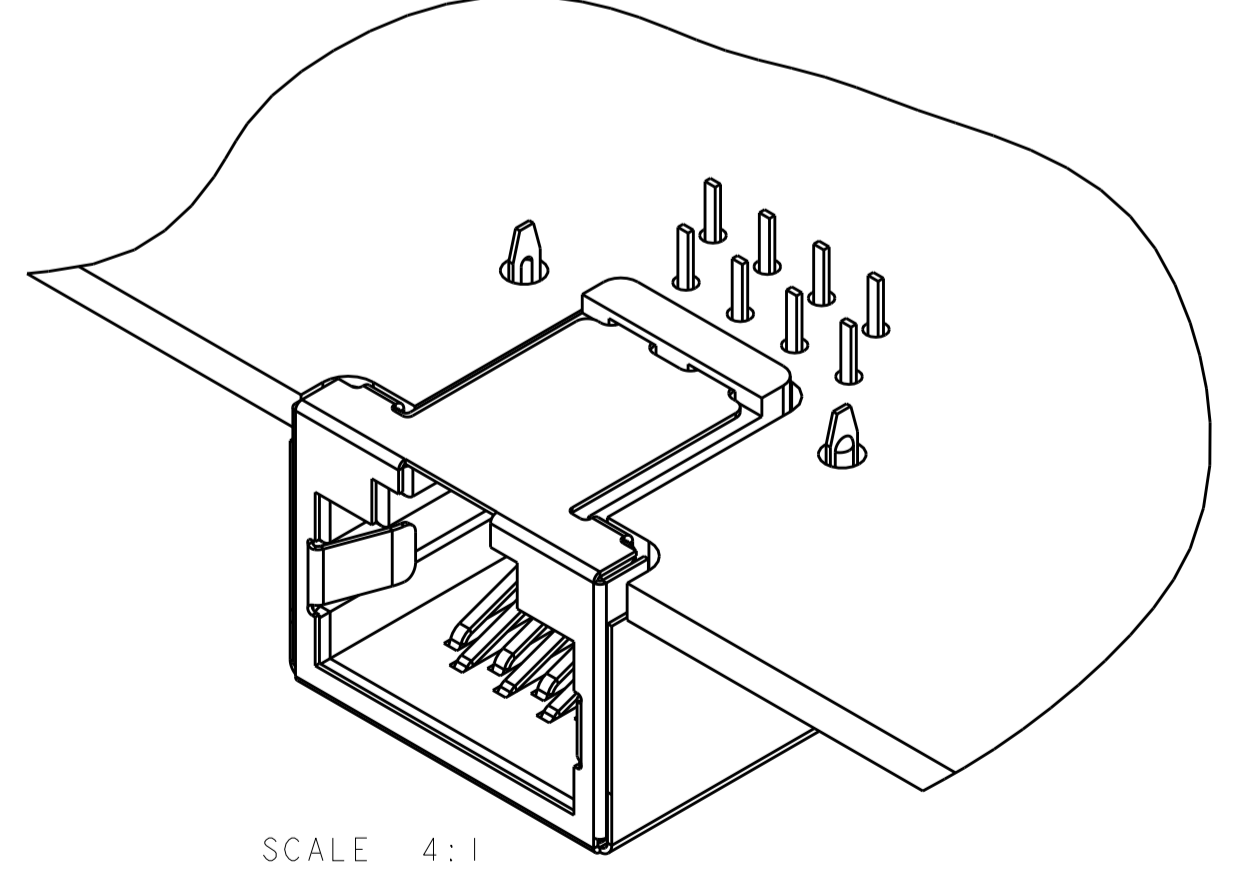
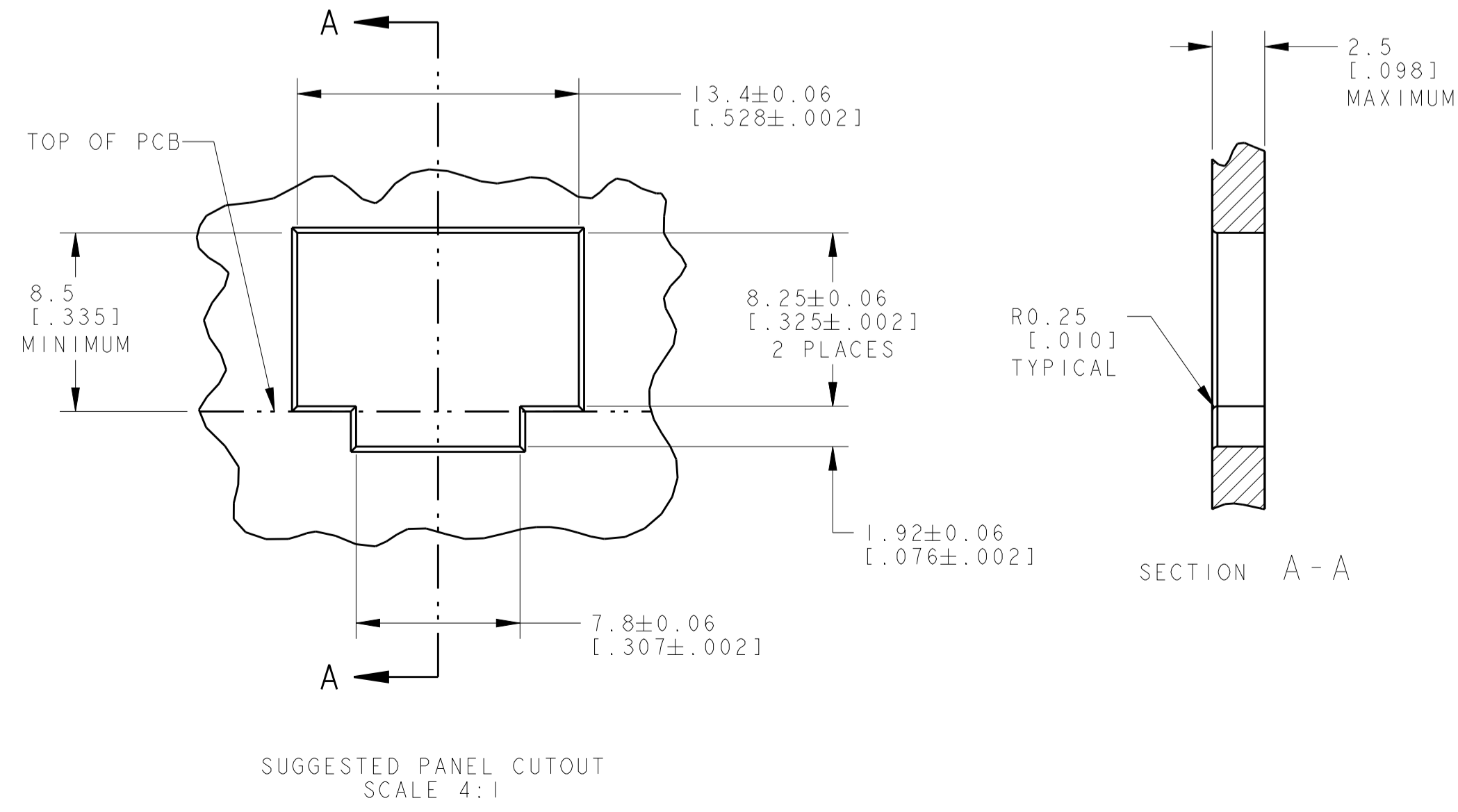
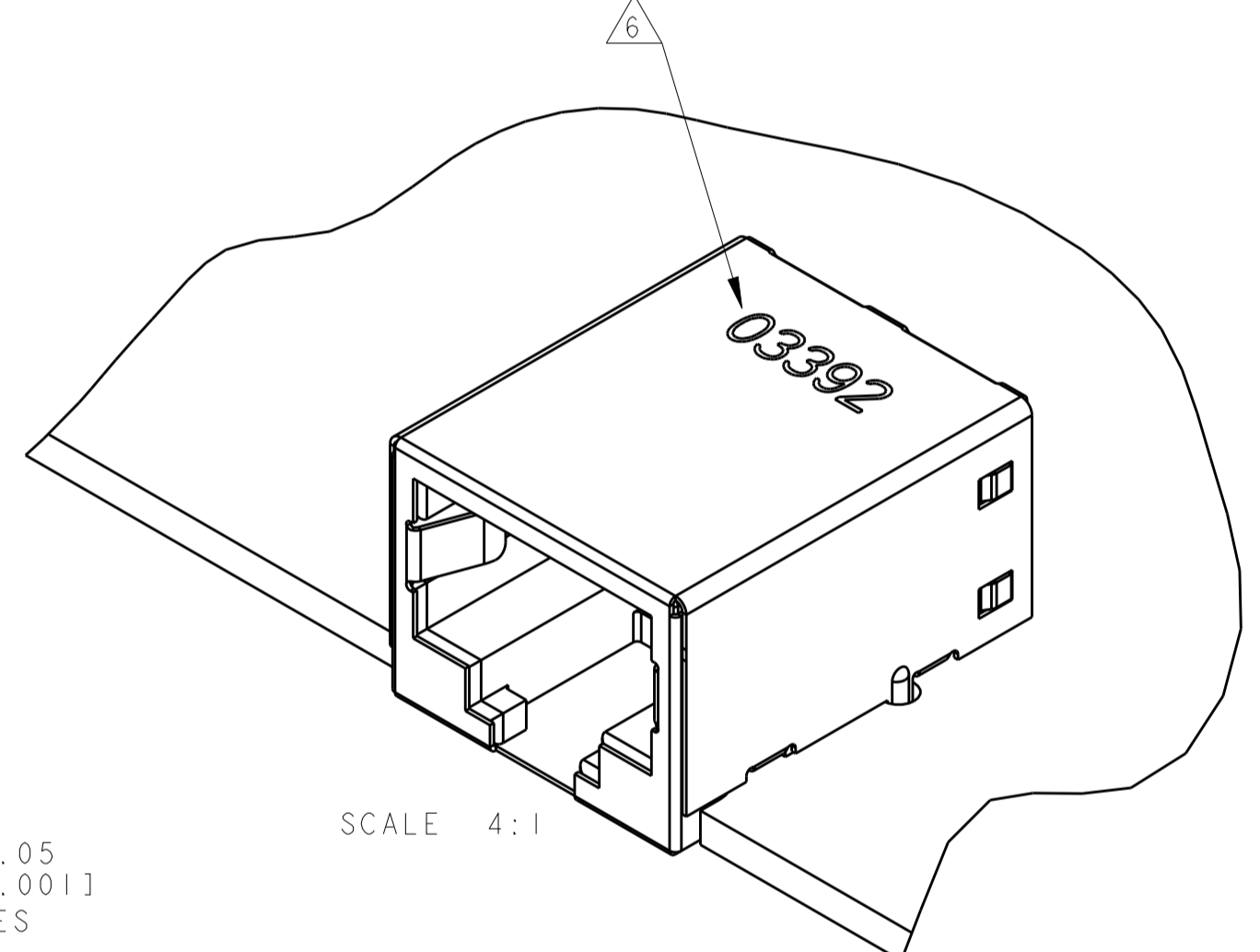
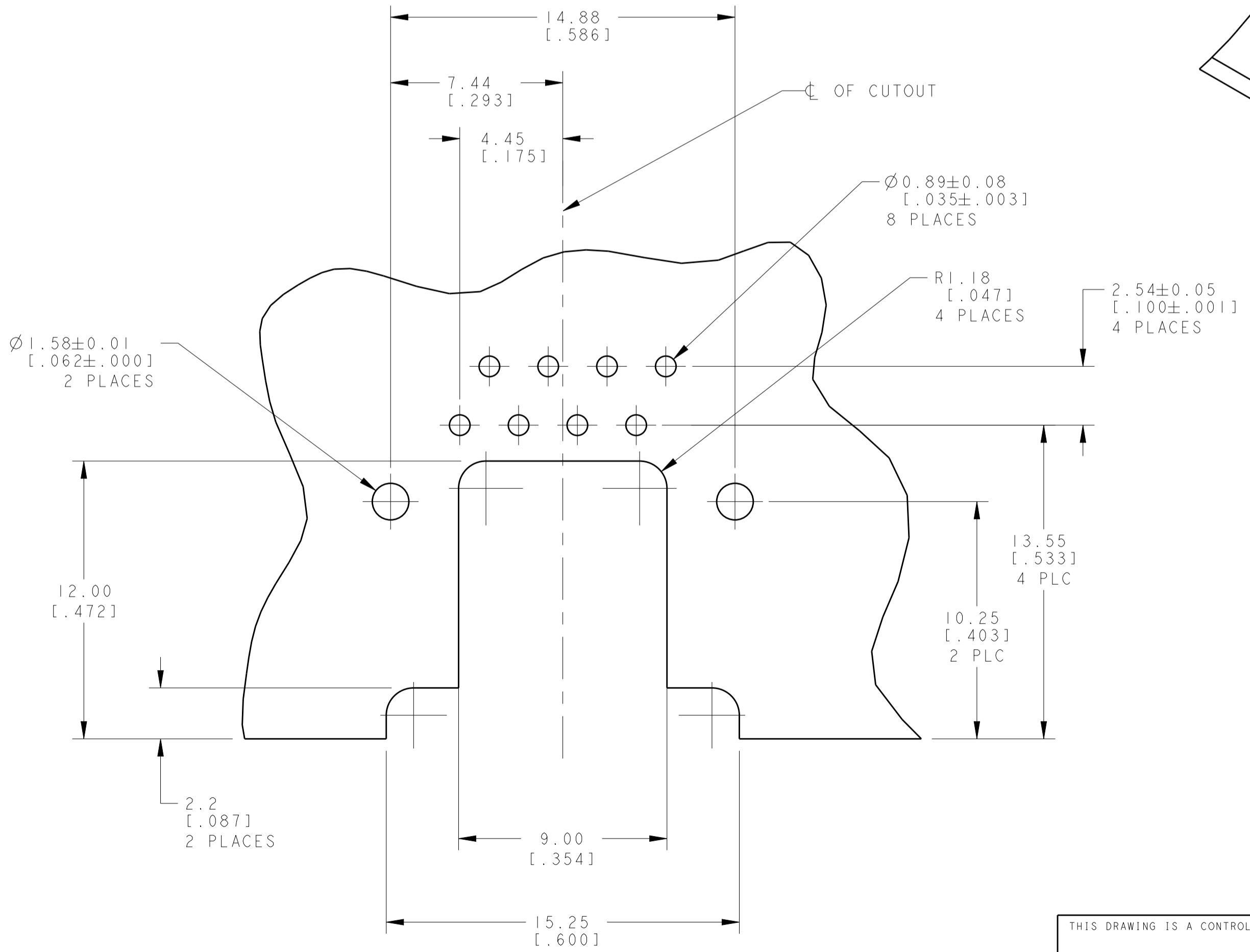
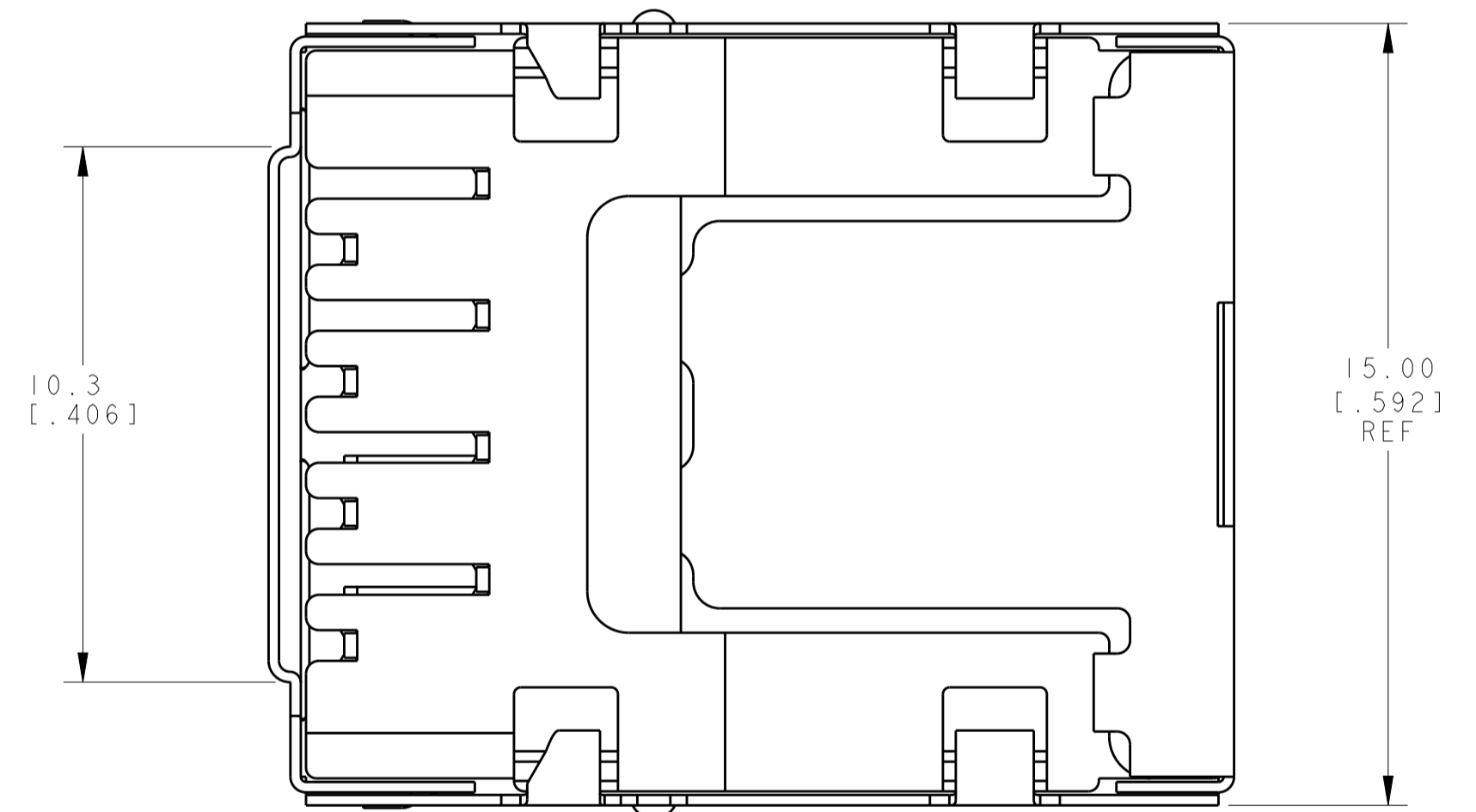


REVISIONS				
P	LTN	DESCRIPTION	DATE	OWN APVD
J	ECO-14-015233		27APR2015	LL SH



- 1 MATERIAL: HOUSING - HIGH TEMPERATURE NYLON, BLACK, UL 94V-0. TERMINALS - 0.25(.010) THICK PHOSPHOR BRONZE PLATED WITH 3.81µm(.000150) MINIMUM THICK BRIGHT TIN-LEAD IN SOLDER AREA, 1.27µm(.000050) MINIMUM GOLD IN LOCALIZED PLATE AREA. ENTIRE TERMINAL PLATED WITH 1.27µm(.000050) MINIMUM THICK NICKEL. SHIELD - 0.21(.0079) THICK COPPER ZINC ALLOY, PREPLATED WITH 2.03µm(.000080) MIN THICK BRIGHT TIN OVER 1.27µm (.000050) MIN THICK NICKEL
- 2 JACK CAVITY CONFORMS TO FCC RULES AND REGULATIONS PART 68, SUBPART F.
- 3 THIS DIMENSION REPRESENTS THE TOTAL HEIGHT OF THE CONNECTOR FROM THE TOP OF THE PC BOARD.
- 4 PACKAGED 66 ASSEMBLIES PER PVC TRAY, 396 PER BOX.
- 5 DIELECTRIC WITHSTANDING VOLTAGE BETWEEN SHIELD AND TERMINAL IS 1500 VAC
- 6 MANUFACTURING DATE CODE: ORIENTED AND LOCATED APPROXIMATELY AS SHOWN. LASER PRINTING. TEXT HEIGHT APPROXIMATELY 2MM. FIRST 2 DIGITS = LAST 2 DIGITS OF YEAR NEXT 2 DIGITS = MANUFACTURING WORK WEEK LAST DIGIT = DAY OF WEEK WITH SUNDAY = 1
- 7 MATERIAL: HOUSING - HIGH TEMPERATURE NYLON, BLACK, UL 94V-0. TERMINALS - 0.25(.010) THICK PHOSPHOR BRONZE PLATED WITH 3.81µm(.000150) MINIMUM THICK MATTE TIN IN SOLDER AREA, 1.27µm(.000050) MINIMUM GOLD IN LOCALIZED PLATE AREA. ENTIRE TERMINAL PLATED WITH 1.27µm(.000050) MINIMUM THICK NICKEL. SHIELD - 0.21(.0079) THICK COPPER ZINC ALLOY, PREPLATED WITH 2.03µm(.000080) MIN THICK BRIGHT TIN OVER 1.27µm (.000050) MINIMUM THICK NICKEL



406732-2	
406732-1	
MATERIAL/FINISH	PART NUMBER

THIS DRAWING IS A CONTROLLED DOCUMENT.		OWN: L. VARSIK 14FEB01	406732-2
DIMENSIONS: mm [INCHES]		CHK: L. VARSIK 14FEB01	406732-1
TOLERANCES UNLESS OTHERWISE SPECIFIED:		APVD: L. VARSIK 14FEB01	
0 PLC	±	PRODUCT SPEC	
1 PLC	±	108-1163	
2 PLC	±	APPLICATION SPEC	
3 PLC	±	114-2048	
4 PLC	±	WEIGHT: 3.4 grams	
ANGLES	±	CAGE CODE: 406732	
MATERIAL: SEE NOTE 1	FINISH: SEE NOTE 1	RESTRICTED TO	
CUSTOMER DRAWING		SCALE: 8:1	SHEET 1 OF 1 REV J