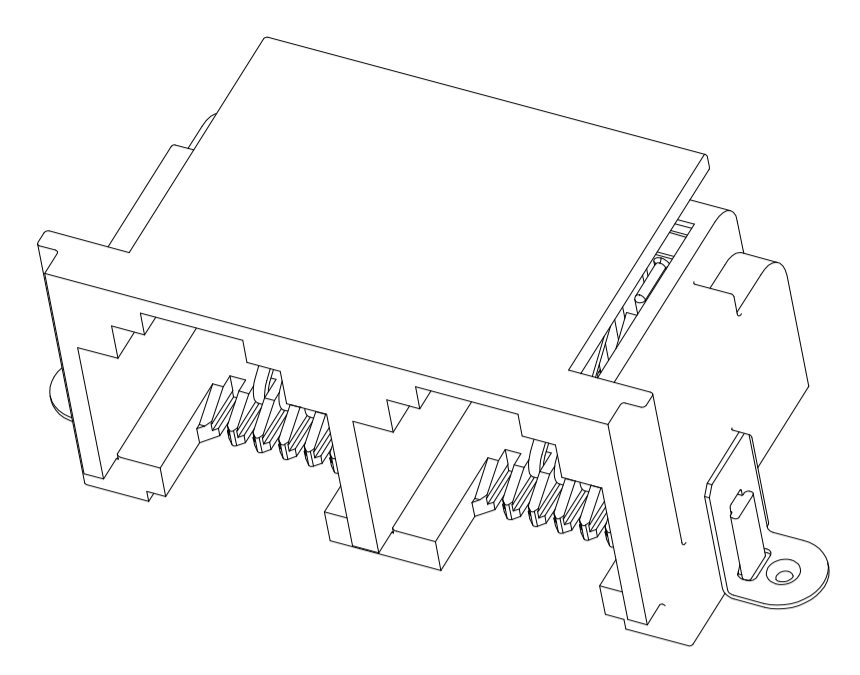
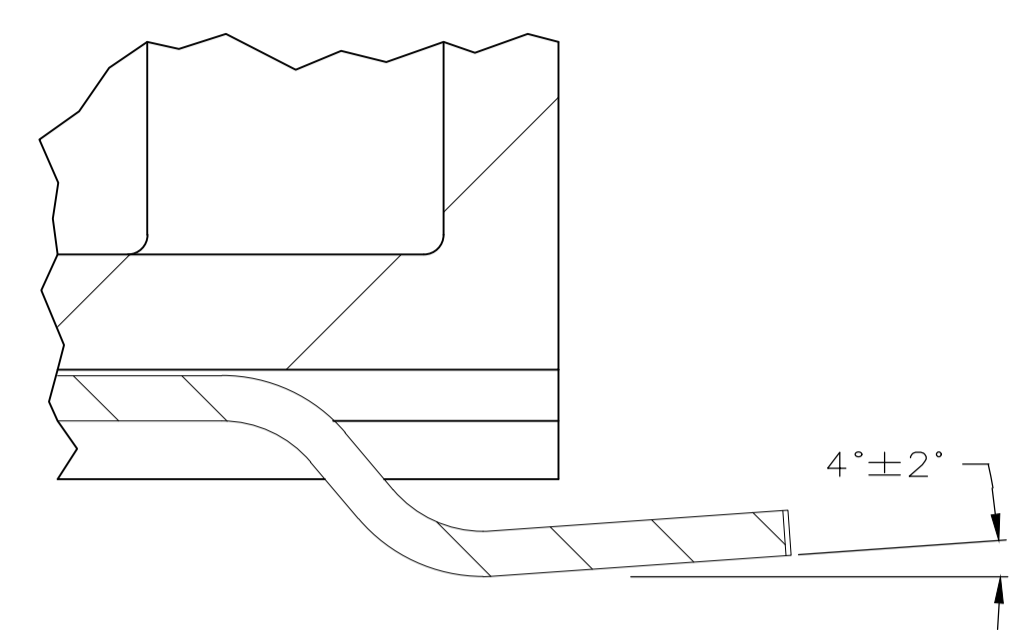
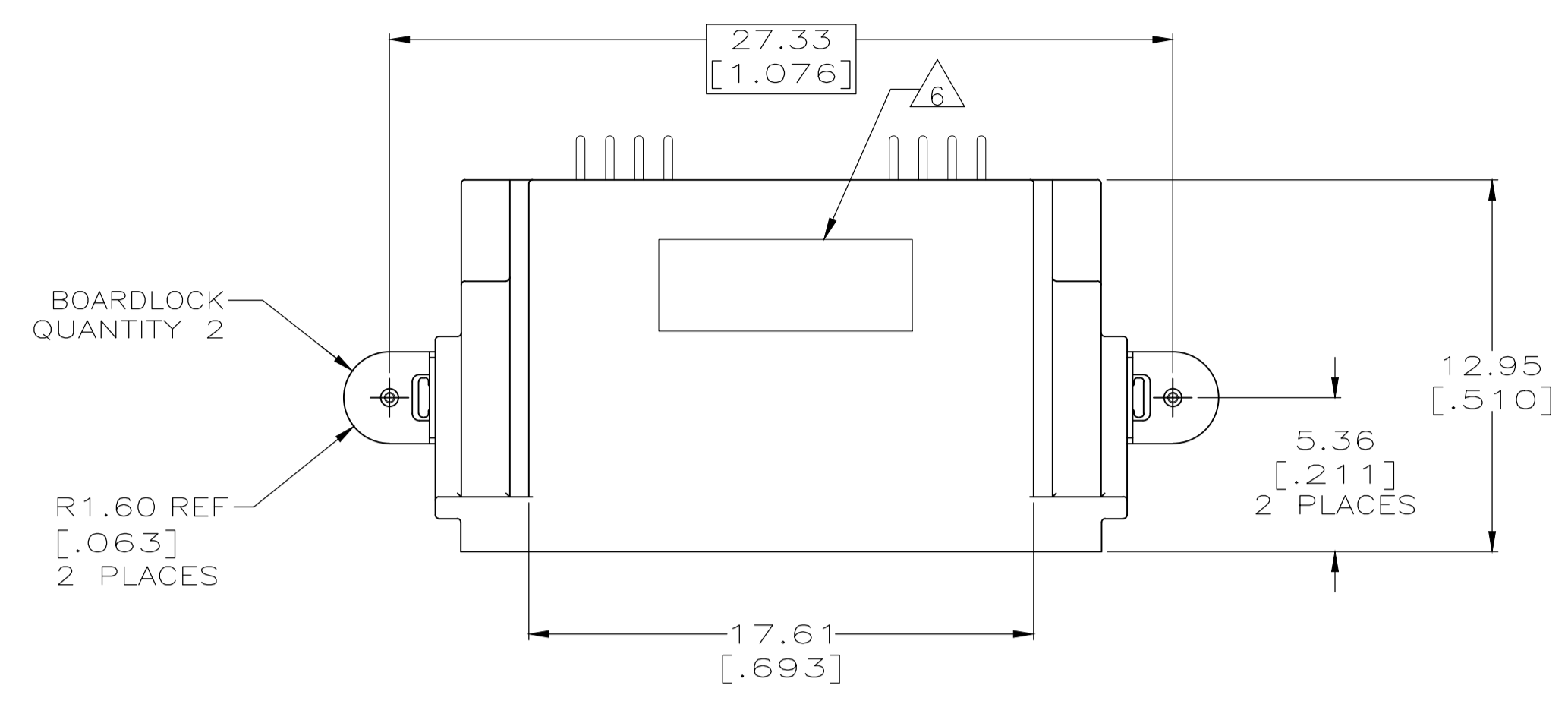
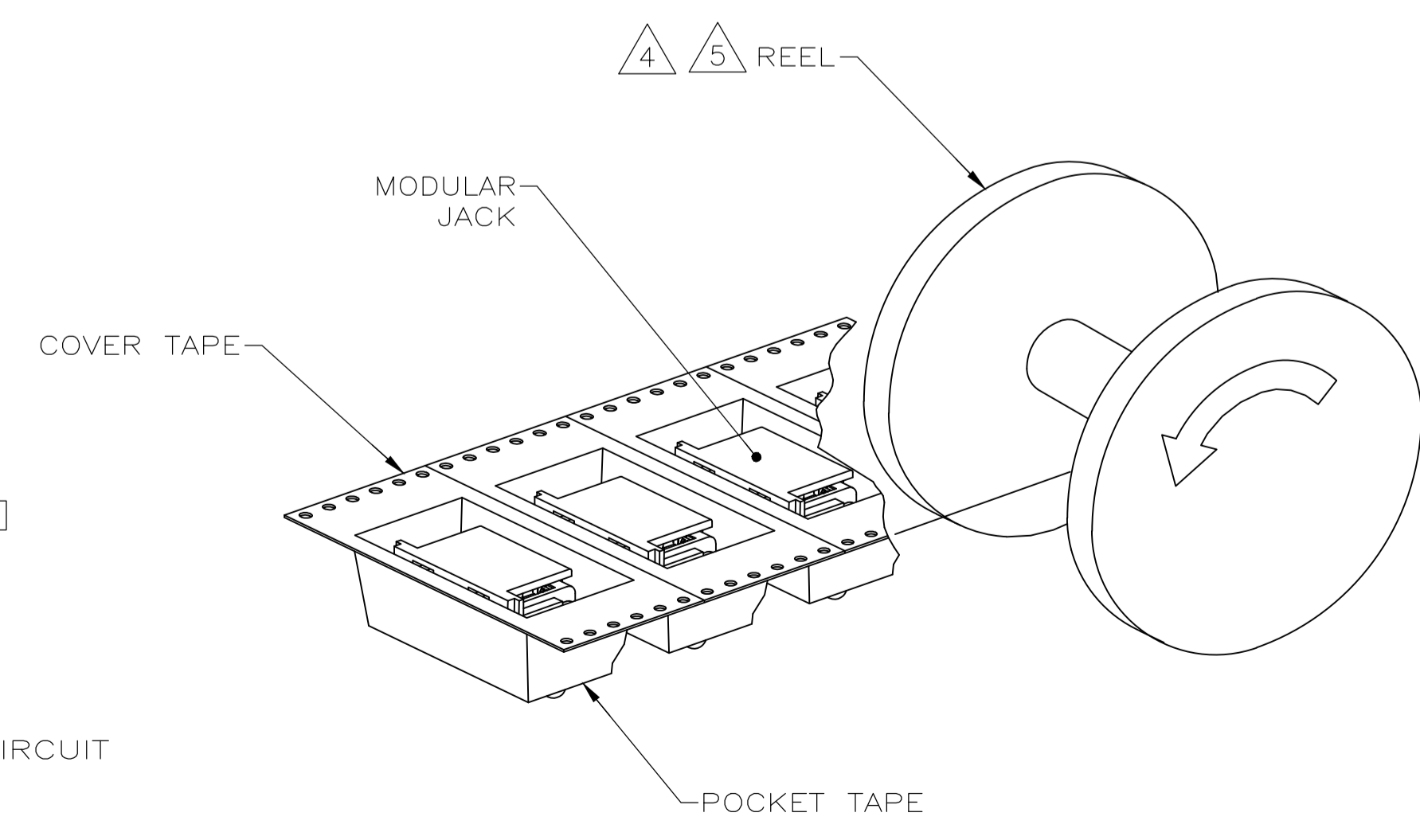
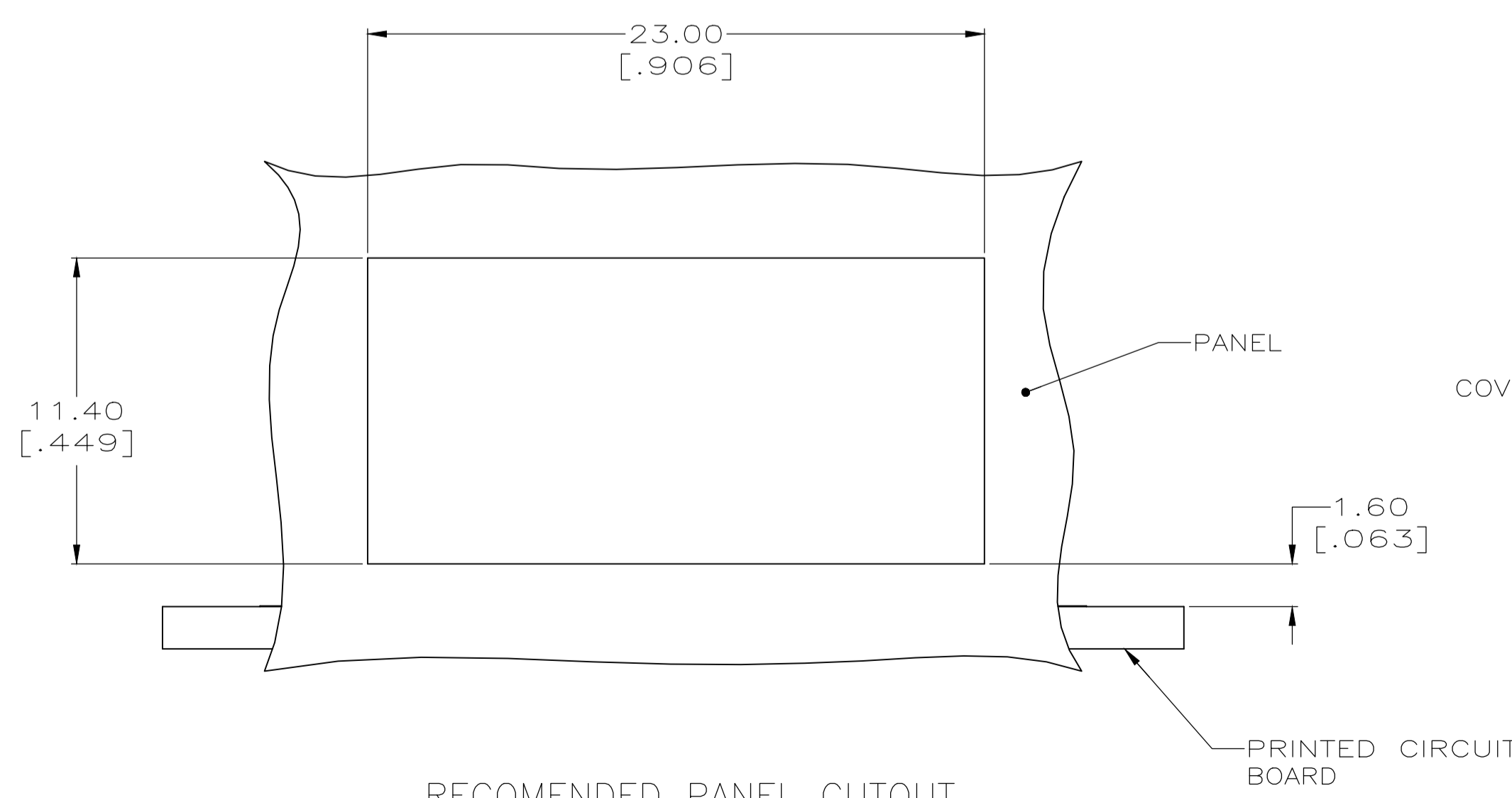
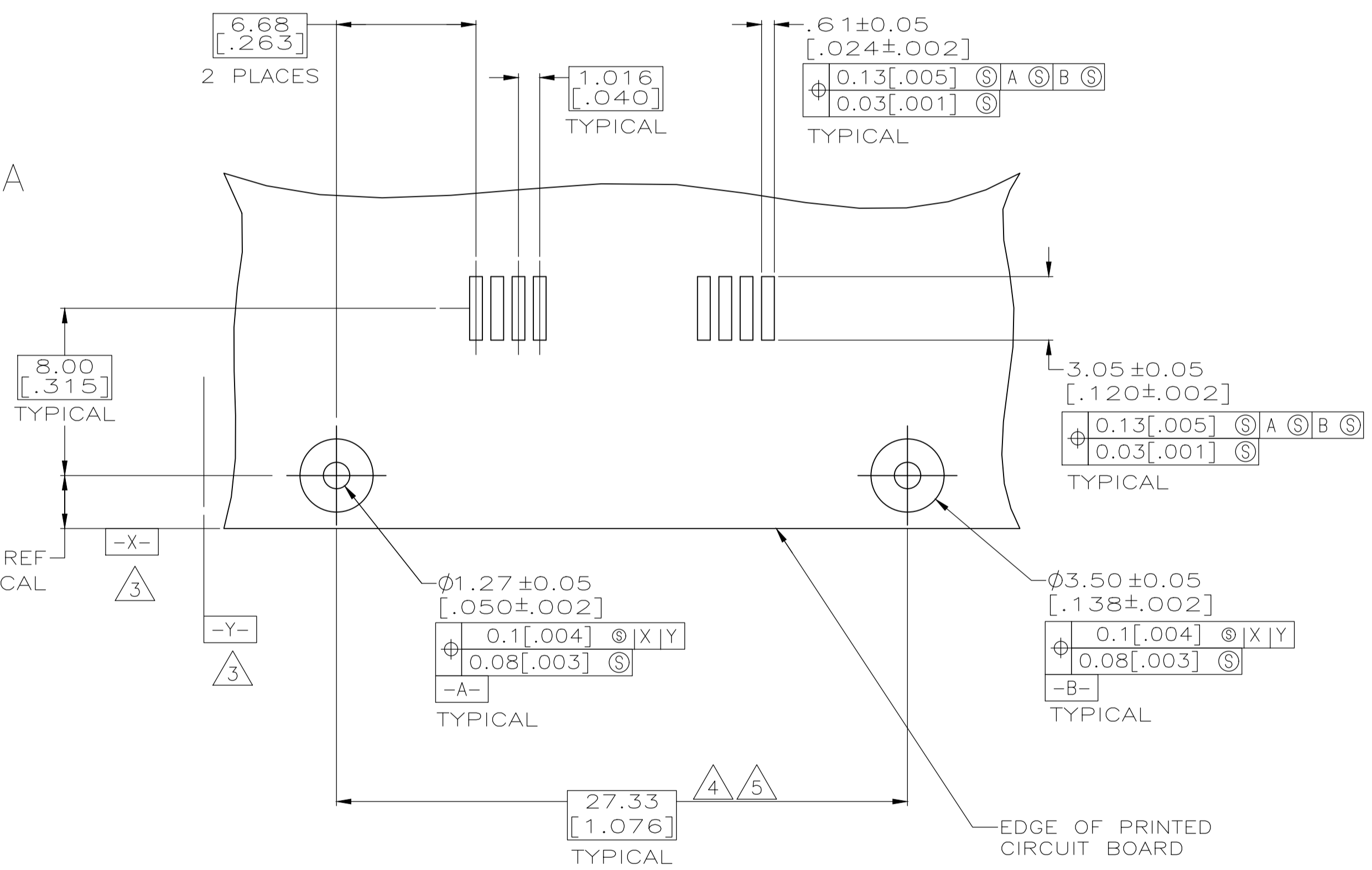
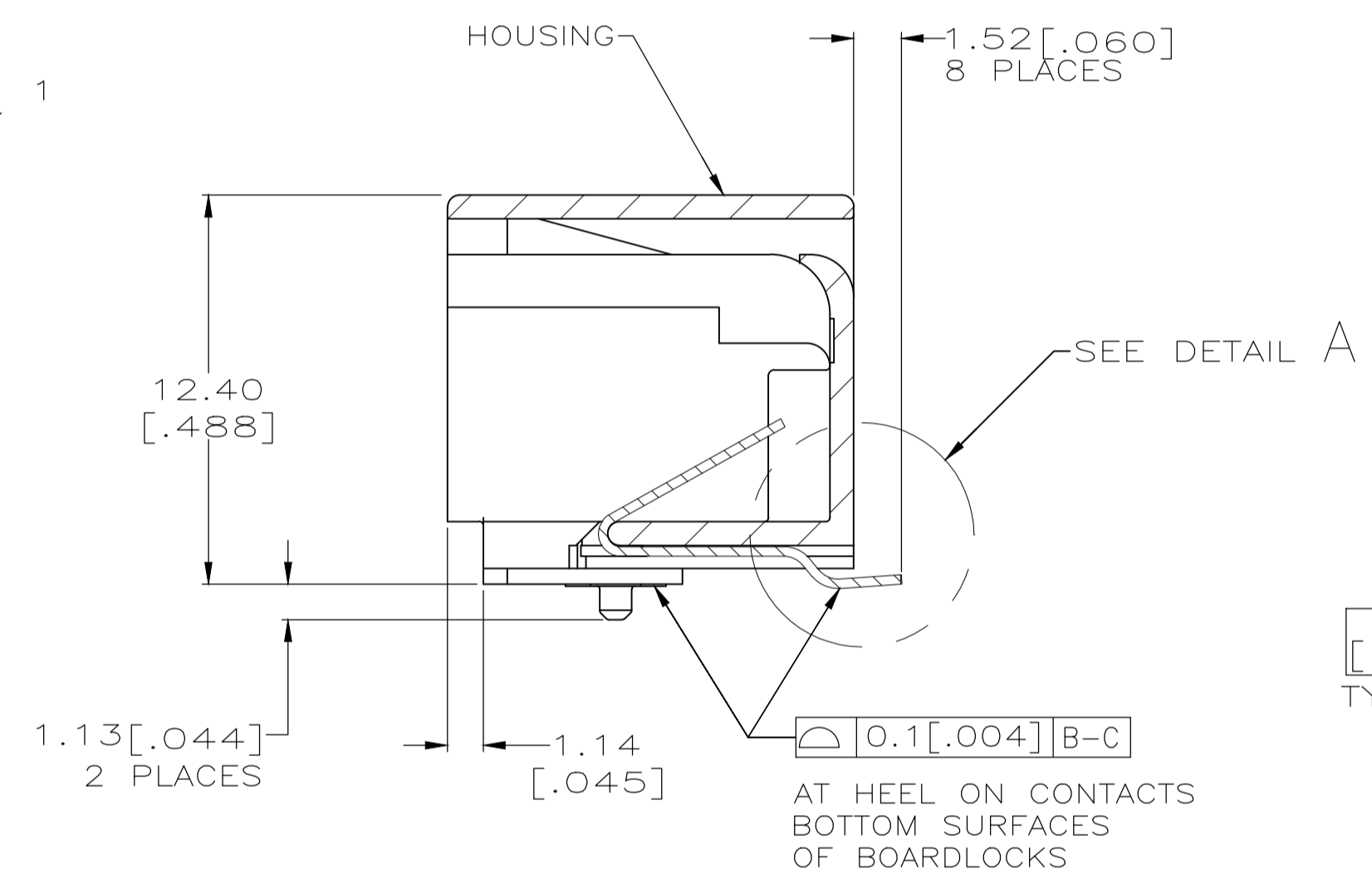
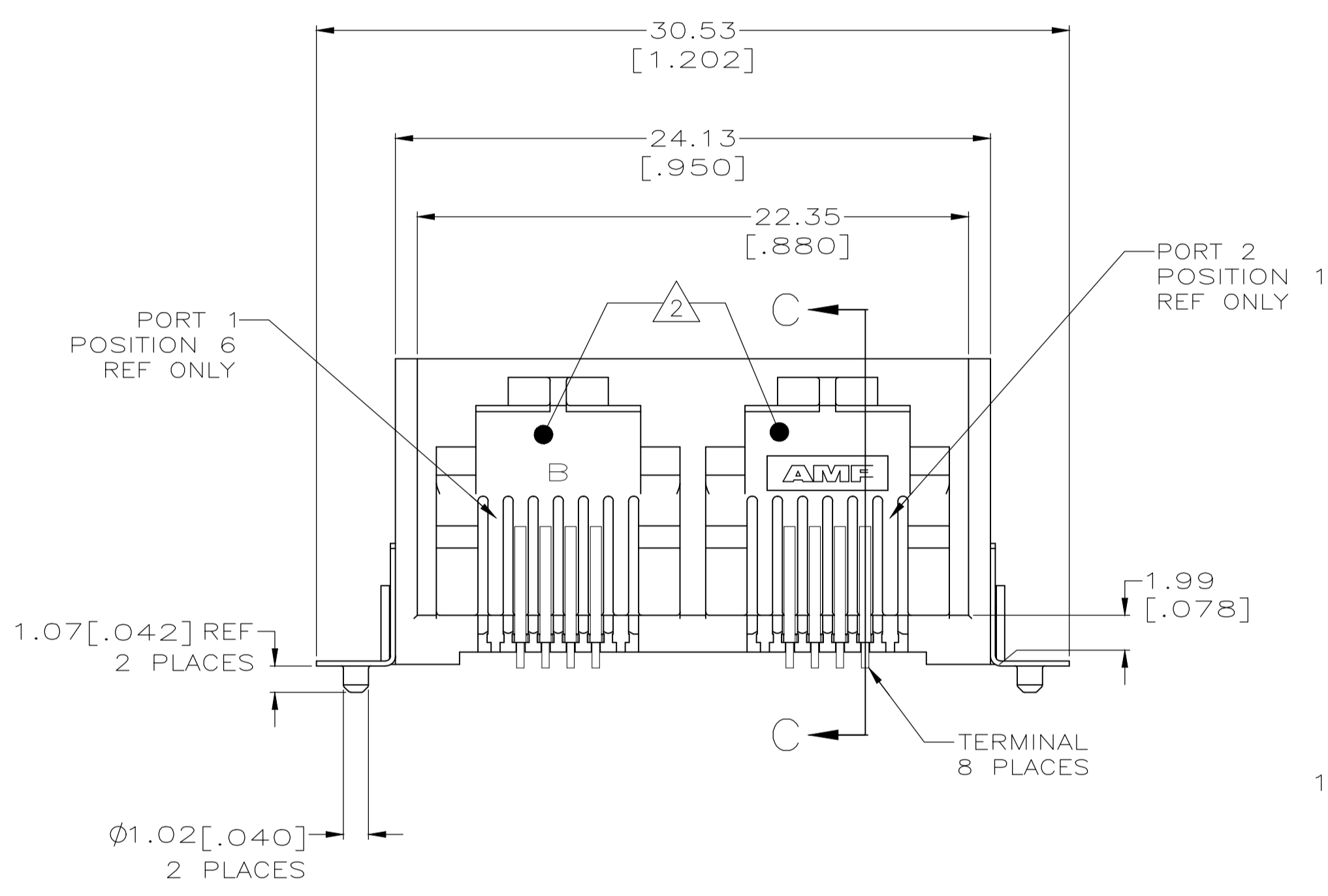


REVISIONS				
REV	DATE	DESCRIPTION	BY	APP'D
1	04MAR2020	REV PER ECO-14-018192	IT	SH



- 1 MATERIAL: HOUSING - HIGH TEMPERATURE THERMOPLASTIC, SEE TABLE FOR COLOR. TERMINALS - 0.3[.012] THICK COPPER ALLOY PLATED WITH 1.27µm[.000050] MINIMUM GOLD IN LOCALIZED CONTACT AREA, 2.5µm[.000100] MINIMUM MATTE TIN ON TERMINATION END, OVER 1.27µm[.000050] MINIMUM NICKEL OVER THE ENTIRE TERMINAL. BOARDLOCK - BRASS, 1/2 HARD, 2.54µm[.000100] MINIMUM MATTE TIN OVER 1.27µm[.000050] MINIMUM NICKEL.
- 2 JACK CAVITY CONFORMS TO FCC RULES AND REGULATIONS, PART 68 SUBPART F.
- 3 DATUM ESTABLISHED BY CUSTOMER.
- 4 PACKAGING TAPE AND REEL:(PER EIA 481 SPEC) TAPE - 44mm[1.73] WIDE POCKET PITCH - 24mm[.945] CORRUGATED REEL DIAMETER - 560mm[22.0] PIECES/REEL - 650
- 5 PACKAGING TAPE AND REEL:(PER EIA 481 SPEC) TAPE - 44mm[1.73] WIDE POCKET PITCH - 24mm[.945] PLASTIC REEL DIAMETER - 330mm[13.0] PIECES/REEL - 200
- 6 MANUFACTURING DATE CODE LOCATED APPROXIMATELY AS SHOWN. FIRST 2 DIGITS ARE YEAR, SECOND 2 DIGITS ARE WORK WEEK, AND LAST DIGIT IS DAY OF THE WEEK



COLOR	PACKAGING	PART NUMBER
OBSELETE LEMON YELLOW	5	5406393-5
BLACK	5	5406393-3
GRAY	4	5406393-1

THIS DRAWING IS A CONTROLLED DOCUMENT.

DWG: J. ALCORTA - 09JUN2005	CHK: J. WESTMAN - 09JUN2005	APVD: S. FLICKINGER - 09JUN2005	NAME: S. FLICKINGER
DIMENSIONS: mm		TOLERANCES UNLESS OTHERWISE SPECIFIED:	
0 PLC ± .	1 PLC ± .	2 PLC ± 0.13[.005]	3 PLC ± .
4 PLC ± .	ANGLES ± .	FINISH	

PRODUCT SPEC: 108-1689
APPLICATION SPEC: 114-6040
SIZE: A1
CAGE CODE: 00779
DRAWING NO: 5406393
RESTRICTED TO: -
CUSTOMER DRAWING

TE Connectivity
MODULAR JACK ASSEMBLY, 6/4,2 PORT,SURFACE MOUNT,RIGHT ANGLE,WITH PANEL STOPS
SCALE 5:1 SHEET 1 OF 1 REV 1