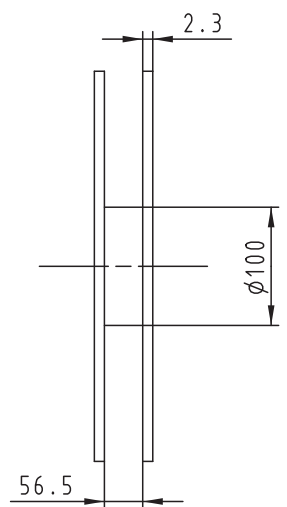
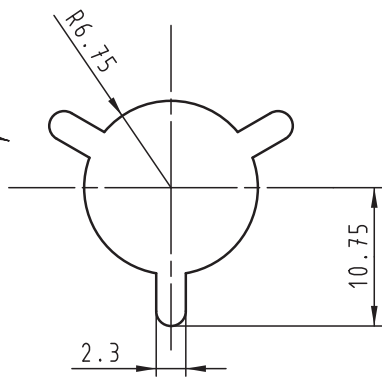
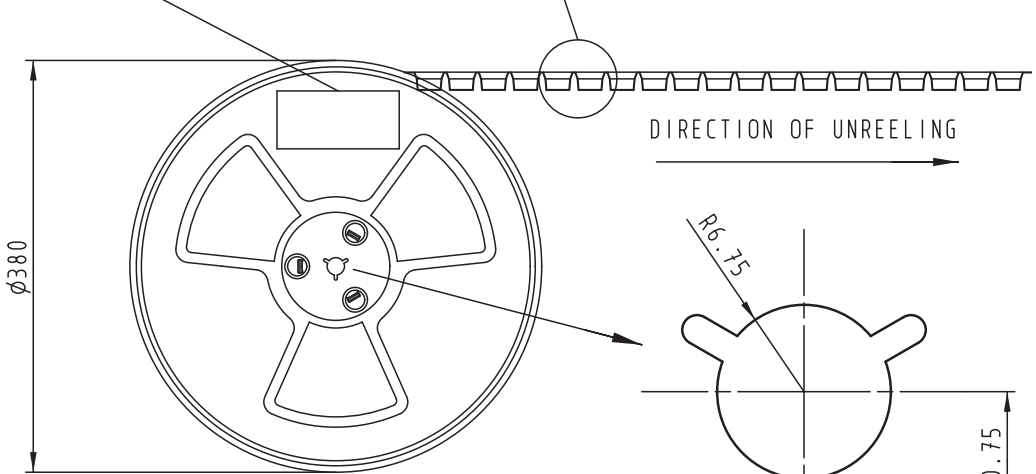
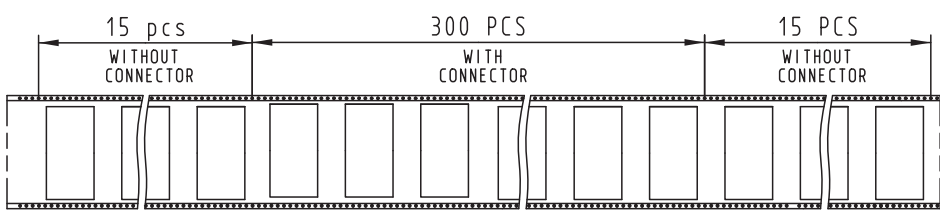
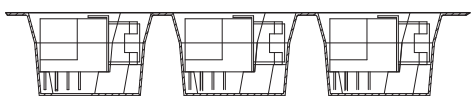
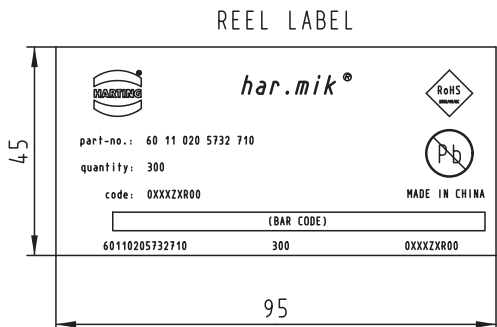


All rights reserved



Packaging in accordance with EIA 481-2-A tape & reel packaging for gripping process

1) see TB 60 11 020 5732 folio 1/2 for connector dimensions and PCB layout

60 11 020 5732.710	in reel unit packaging 300 connectors
Part Number	Index designation

	All Dimensions in mm Original Size DIN A 3			Techn. Character.		Free size tolerances		
		Det.	Name	Scale	har.mik® I/O bellow 20P Har.mik female SMC with angled solder pins, thread hole M2.5, fixed latches			
		Detail.	29-OCT-09					J.Sheng
		Insp.	18-Nov-09					S.W
	Stand.	18-Nov-09	S.W					
EC01926	31-May-10	K.Luo	Zhuhai Harting Limited			TB 60 11 020 5732		
31770	29-OCT-09	J.Sheng				Sub.	Page 2/2	
Mod.	Dat.	Name						