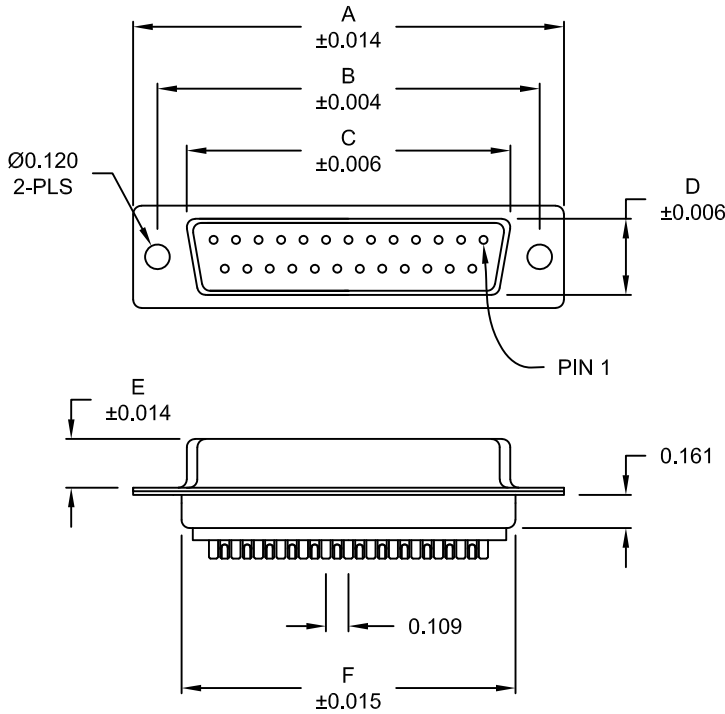
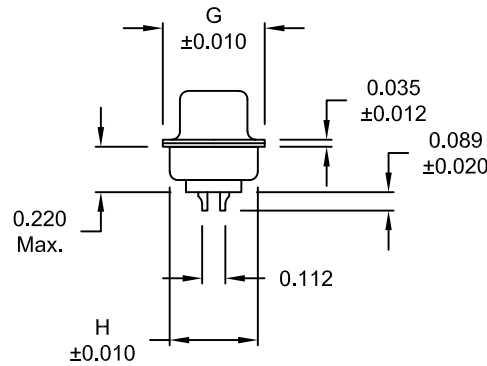


DESCRIPTION: FEMALE - SOLDER CUP - MACHINED - ECONOMY



WILL ACCEPT  
26-20 AWG WIRE

No. OF PINS	DIMENSIONS							
	A	B	C	D	E	F	G	H
9	1.213	0.984	0.642	0.311	0.236	0.756	0.496	0.427
	30.80	24.99	16.30	7.90	5.99	19.20	12.60	10.85
15	1.541	1.312	0.970	0.311	0.236	1.091	0.496	0.427
	39.15	33.32	24.65	7.90	5.99	27.70	12.60	10.85
25	2.087	1.852	1.512	0.311	0.236	1.630	0.496	0.427
	53.00	47.04	38.40	7.90	5.99	41.40	12.60	10.85



772-EYY-20YRYY1

SERIES  
 POSITIONS  
 E09  
 E15  
 GENDER  
 2 = FEMALE  
 TERMINATION  
 0 = SOLDER CUP  
 SHELL PLATING  
 2 = TIN  
 3 = NICKEL  
 RoHS COMPLIANT  
 HARDWARE OPTIONS  
 00 = NO HARDWARE  
 01 = 0.065" CLINCH NUT, BOARD SIDE  
 PLATING OPTIONS  
 1 = GOLD FLASH

**MATERIAL:**

SHELL: STEEL, NICKEL OR TIN PLATED  
 INSULATOR: UL 94V-O RATED PA6T  
 PROCESS TEMP.: 260° C  
 CONTACT: BRASS  
 SEALING MATERIAL: F04 FLEXABLE ADHESIVE

**ELECTRICAL:**

CURRENT RATING: 5 AMPS  
 CONTACT RESISTANCE: 15 mOhms Max.  
 INSULATION RESISTANCE: 1,000 MOhms min.  
 VOLTAGE: 500VAC FOR 1 MINUTE  
 TEMPERATURE: -55° C TO 125° C

**MEETS IP67 STANDARDS**

(SEE PAGE 2 FOR SEALING DETAILS)

DO NOT SCALE FROM DRAWING



THESE DRAWINGS AND SPECIFICATIONS ARE THE PROPERTY OF NorComp AND SHALL NOT BE REPRODUCED, COPIED OR USED AS THE BASIS FOR THE MANUFACTURE OR SALE OF APPARATUS WITHOUT WRITTEN PERMISSION.

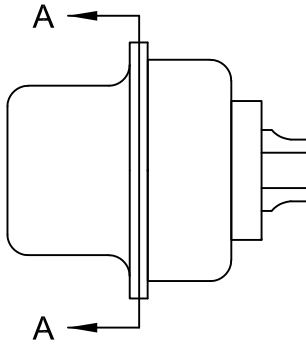
DRAWN: C. SMITH		DATE: 03-26-09	
SCALE: NTS	SHEET 1	OF 2	REV 6
DWG NO. 772-EYY-20YRYY1			

RoHS COMPLIANT

NorComp

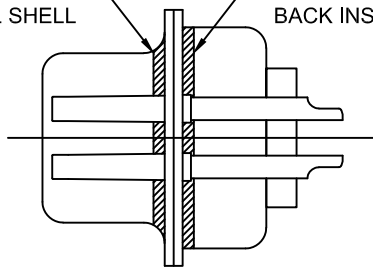
DESCRIPTION: IP67 - FEMALE - SOLDER CUP - MACHINED - ECONOMY - SEALING PROCESS

HARDWARE OPTION



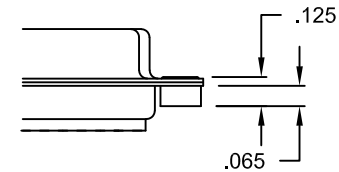
FRONT SEAL APPLIED BETWEEN FRONT INSULATOR AND FRONT METAL SHELL

MIDDLE SEAL APPLIED BETWEEN FRONT INSULATOR AND BACK INSULATOR



DETAIL A-A

01X ..... 0.065" (BOARD SIDE) - CN1



DO NOT SCALE FROM DRAWING



THESE DRAWINGS AND SPECIFICATIONS ARE THE PROPERTY OF NorComp AND SHALL NOT BE REPRODUCED, COPIED OR USED AS THE BASIS FOR THE MANUFACTURE OR SALE OF APPARATUS WITHOUT WRITTEN PERMISSION.

DRAWN: C. SMITH		DATE: 03-26-09	
SCALE: NTS	SHEET 2	OF 2	REV 6
DWG NO. 772-EYY-20YRY1			

**NorComp**