

LAYOUT SHOWN AS EXAMPLE

Keying Shown as example

**CHARACTERISTICS**

- Standard : Based on MIL-DTL-38999 Series III
- Shell Material : Stainless Steel
- Shell Plating : Passivated
- Insulator : Thermoplastic
- Contacts : Copper Alloy
- Seals & Grommet : Silicon Elastomer
- Contact Plating : Gold over copper Alloy 0.8µm minimum
- Durability : 500 Mating cycles
- Delivered with Souriau contacts and Accessories
- Temperature Range : -65°C to +200°C
- Salt Spray : 500 hours

| Connector dimension |                 |
|---------------------|-----------------|
| Dim                 | Nominal         |
| A                   | 44.5±0.3        |
| B                   | 30.15+0.1/-0.15 |
| R                   | 32.5Max         |
| S                   | 41.3±0.4        |
| W                   | 2.2+0.9/-0.1    |
| VV THREAD           | M25x1-6g        |

SOURIAU shall not be liable for any non-conformity or damage due to a use of the Products which does not comply with the Specifications issued by either of the Parties or by a third party (professional recommendation, technical notice.)

|         |                             |
|---------|-----------------------------|
| Country | Jurisdiction & Control List |
| FR      | Not Listed                  |

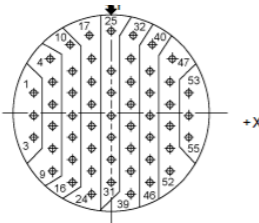
**PN: 8D717K08AE**

|                     |   |                                |  |
|---------------------|---|--------------------------------|--|
| A                   | 30-09-2016                                  | First Release                  |  |
| ISS                 | DATE  | Latest modification - by       | MOD N°   |
| Designed By:        |   | Date:                          | <b>CUSTOMER DRAWING</b>  |
| <b>TITLE</b>        | <b>Stainless Steel Receptacle 8D series</b> |                                |  |
| SCALE               |   | General linear Tolerances: ±-- | NPRDS / PROJECT<br><b>859</b>  |
| NA                  |   |                                | This document is the property of SOURIAU<br>it must not be reproduced or communicated without permission |
| <b>SOURIAU</b>      | <b>WWW.SOURIAU.COM</b>                      |                                |  |
| FORMAT<br><b>A3</b> | <b>SOURIAU DRG N°<br/>8D717K08AE-C</b>      |                                | SHEET<br>1/2   |

|                |                        |   |   |    |   |    |   |   |                 |
|----------------|------------------------|---|---|----|---|----|---|---|-----------------|
| BASIC SERIES:  | 8D                     | 7 | - | 17 | K | 08 | A | E | ORIENTATION : E |
| SHELL TYPE :   | Jam nut Receptacle     |   |   |    |   |    |   |   |                 |
| CONTACT TYPE : | Standard Crimp Contact |   |   |    |   |    |   |   |                 |
| SHELL SIZE :   | 17                     |   |   |    |   |    |   |   |                 |
| PLATING :      | K = Passivated         |   |   |    |   |    |   |   |                 |
|                | CONTACT LAYOUT : 17-08 |   |   |    |   |    |   |   |                 |

H G F E D C B A

Contact Layout



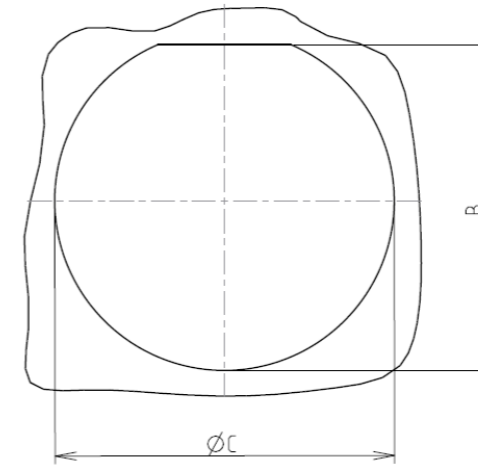
| Contacts<br>(Insert arrangement 17-35) |              |              |                     |             |              |
|--|--------------|--------------|---------------------|-------------|--------------|
| Contact position ID                    | Location     |              | Contact position ID | Location    |              |
|  | X-axis (mm)  | Y-axis (mm)  |                     | X-axis (mm) | Y-axis (mm)  |
| 1                                      | -312 (7.92)  | +086 (2.18)  | 29                  | .000 (0.00) | -.094 (2.39) |
| 2                                      | -312 (7.92)  | -.004 (0.10) | 30                  | .000 (0.00) | -.184 (4.67) |
| 3                                      | -312 (7.92)  | -.094 (2.39) | 31                  | .000 (0.00) | -.274 (6.96) |
| 4                                      | -.242 (6.15) | +221 (5.61)  | 32                  | +089 (2.26) | +316 (8.03)  |
| 5                                      | -.234 (5.94) | +131 (3.33)  | 33                  | +078 (1.98) | +221 (5.61)  |
| 6                                      | -.234 (5.94) | +041 (1.04)  | 34                  | +078 (1.98) | +131 (3.33)  |
| 7                                      | -.234 (5.94) | -.049 (1.24) | 35                  | +078 (1.98) | +041 (1.04)  |
| 8                                      | -.234 (5.94) | -.139 (3.53) | 36                  | +078 (1.98) | -.049 (1.24) |
| 9                                      | -.234 (5.94) | -.229 (5.82) | 37                  | +078 (1.98) | -.139 (3.53) |
| 10                                     | -.172 (4.37) | +279 (7.09)  | 38                  | +078 (1.98) | -.229 (5.82) |
| 11                                     | -.156 (3.96) | +176 (4.47)  | 39                  | +078 (1.98) | -.319 (8.10) |
| 12                                     | -.156 (3.96) | +086 (2.18)  | 40                  | +172 (4.37) | +279 (7.09)  |
| 13                                     | -.156 (3.96) | -.004 (0.10) | 41                  | +156 (3.96) | +176 (4.47)  |
| 14                                     | -.156 (3.96) | -.094 (2.39) | 42                  | +156 (3.96) | +086 (2.18)  |
| 15                                     | -.156 (3.96) | -.184 (4.67) | 43                  | +156 (3.96) | -.004 (0.10) |
| 16                                     | -.156 (3.96) | -.274 (6.96) | 44                  | +156 (3.96) | -.094 (2.39) |
| 17                                     | -.089 (2.26) | +316 (8.03)  | 45                  | +156 (3.96) | -.184 (4.67) |
| 18                                     | -.078 (1.98) | +221 (5.61)  | 46                  | +156 (3.96) | -.274 (6.96) |

| Contacts<br>(Insert arrangement 17-35) |              |              |                     |             |              |
|--|--------------|--------------|---------------------|-------------|--------------|
| Contact position ID                    | Location     |              | Contact position ID | Location    |              |
|  | X-axis (mm)  | Y-axis (mm)  |                     | X-axis (mm) | Y-axis (mm)  |
| 19                                     | -.078 (1.98) | +131 (3.33)  | 47                  | +242 (6.15) | +221 (5.61)  |
| 20                                     | -.078 (1.98) | +041 (1.04)  | 48                  | +234 (5.94) | +131 (3.33)  |
| 21                                     | -.078 (1.98) | -.049 (1.24) | 49                  | +234 (5.94) | +041 (1.04)  |
| 22                                     | -.078 (1.98) | -.139 (3.53) | 50                  | +234 (5.94) | -.049 (1.24) |
| 23                                     | -.078 (1.98) | -.229 (5.82) | 51                  | +234 (5.94) | -.139 (3.53) |
| 24                                     | -.078 (1.98) | -.319 (8.10) | 52                  | +234 (5.94) | -.229 (5.82) |
| 25                                     | .000 (0.00)  | +329 (8.36)  | 53                  | +312 (7.92) | +086 (2.18)  |
| 26                                     | .000 (0.00)  | +176 (4.47)  | 54                  | +312 (7.92) | -.004 (0.10) |
| 27                                     | .000 (0.00)  | +086 (2.18)  | 55                  | +312 (7.92) | -.094 (2.39) |
| 28                                     | .000 (0.00)  | -.004 (0.10) | ---                 | ---         | ---          |

| Shell size | Arrangement no. | Number of contacts | Size contacts | Service rating | Contact location | Supersedes |
|------------|-----------------|--------------------|---------------|----------------|------------------|------------|
| 17         | -35             | 55                 | 22D           | M              | All              | MS27529-35 |

Panel cutout

JAM NUT RECEPTACLE (TYPE 7)



| Dim | Nominal       |
|-----|---------------|
| B   | 30.73+0/-0.25 |
| ØC  | 32.01+0.25/-0 |

SOURIAU shall not be liable for any non-conformity or damage due to a use of the Products which does not comply with the Specifications issued by either of the Parties or by a third party (professional recommendation, technical notice.)

| Country | Jurisdiction & Control List |
|---------|-----------------------------|
| FR      | Not Listed                  |

PN: 8D717K08AE

|                     |            |                                      |                               |
|---------------------|------------|--------------------------------------|-------------------------------|
| A                   | 30-09-2016 | First Release                        |                               |
| ISS                 | DATE       | Latest modification - by             | MOD N°                        |
| Designed By:        |            | Date:                                | <b>CUSTOMER DRAWING</b>       |
| <b>TITLE</b>        |            | Stainless Steel Receptacle 8D series |                               |
| SCALE               | NA         | General linear Tolerances: ±--       | NPRDS / PROJECT<br><b>859</b> |
| <b>SOURIAU</b>      |            | WWW.SOURIAU.COM                      |                               |
| FORMAT<br><b>A3</b> |            | SOURIAU DRG N°<br>8D717K08AE-C       |                               |
|                     |            | SHEET<br>2/2                         |                               |

This document is the property of SOURIAU it must not be reproduced or communicated without permission

H G F E D C B A