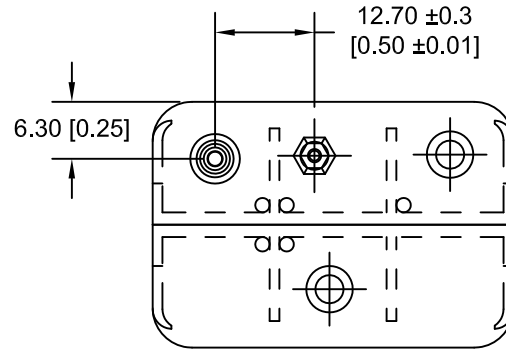
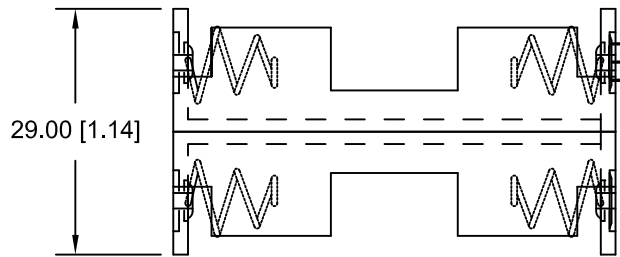
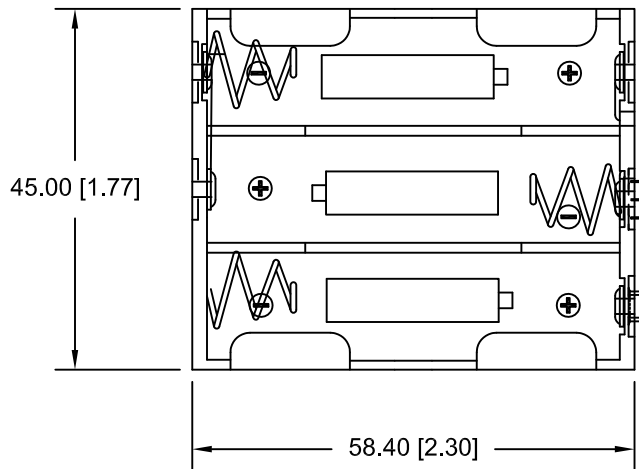



Date	SYM	REVISION RECORD	AUTH	DR.	CK.
05/06/06	C	ADDED CONTACT RESI. INFO.	T.B.	B.S.	
11/08/13	D	REDRAWN IN AUTOCAD UPDATED SPECIFICATION	T.B.	B.S.	
12/16/16	E	DIM. 29.00 WAS 28.90 DIM. 45.00 WAS 44.90	T.B.	B.S.	
06/27/17	F	ADDED TOLERANCE TO DIM. 12.70	T.B.	B.S.	



SPECIFICATIONS:

Plastic Material: Polypropylene
 Flammability rating: UL94 HB, UL File # E216959
 Temperature Range: -10°C to +100°C
 Springs: Nickel Plated Spring Steel
 Rivets: Brass, Nickel Plated
 9V Snaps: Brass, Nickel Plated
 Contact resistance: Under 50mΩ for +/- contacts per EIA-540J000
 ROHS 2 COMPLIANT

Tolerance (Inches)	 Memory Protection Devices, Inc 200 Broad Hollow Road, Farmingdale, New York 11735		
Decimal ±.5 (.020)	Scale	Drawn By B.S.	
Fractional ± .8 (.030)	Title 6 "AA" BATTERY HOLDER WITH SNAP FASTENERS		
Angular ± 3°	Date 06/27/17	Drawing Number BH26AASF	
		Approved By T.B.	