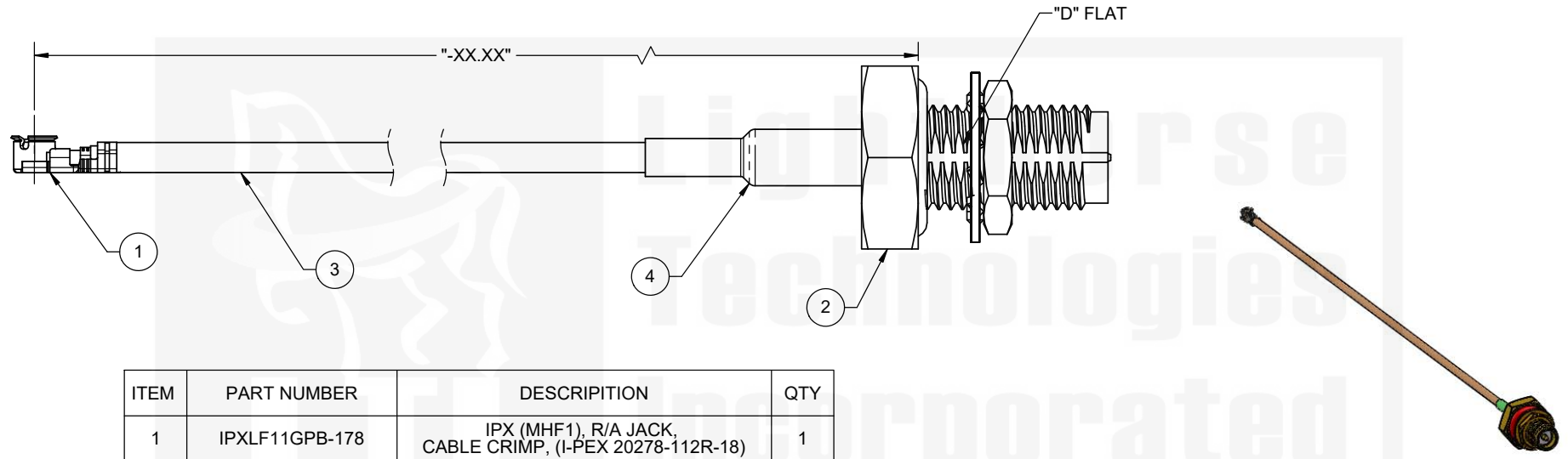


REVISIONS

REV	ECR	DESCRIPTION	DRAWN	DATE
1		PRODUCTION RELEASE	M. LARSEN	01/19/2022

-XX IN THE ENDING OF THE CABLE PART NUMBER IS CALLING OUT THE LENGTH OF THE ASSEMBLY FROM CENTER TO MATING FLANGE OF CONNECTORS. EXAMPLES SHOWN BELOW:


LTI P/N: CBG-IPX-SARF3OGTX9-6IN (6 INCHES)
 CBG-IPX-SARF3OGTX9-10IN (10 INCHES)



ITEM	PART NUMBER	DESCRIPTION	QTY
1	IPXLF11GPB-178	IPX (MHF1), R/A JACK, CABLE CRIMP, (I-PEX 20278-112R-18)	1
2	SASRF13ROGT-113-X9	SMA, STRAIGHT, REV POL JACK, BLKHD MNT, O-RING, IP-67, CRIMP	1
3	RG-178	CABLE, RG-178 COAX	AR
4	1635F-1/8"	.125 (1/8) DIA, .75 LENGTH, GREEN	1

SCALE: NONE

IPX® AND MHF® ARE REGISTERED TRADEMARKS OF I-PEX CO., LTD. CORPORATION

DO NOT SCALE DRAWING TOLERANCES UNLESS OTHERWISE SPECIFIED DIMENSIONS ARE IN MILLIMETERS X = ±0.5 X.X = ±0.25 X.XX = ±0.13 ANGLE = ±30°		 Lighthouse Technologies San Diego, CA WWW.RFCCONNECTOR.COM
THIRD ANGLE PROJECTION CUSTOMER APPROVAL SIGN / DATE: ENG APPR. P. BURDGE 01/19/2022 CHECKED M. HELD 01/19/2022 DRAWN M. LARSEN 01/19/2022 NAME DATE		
TITLE: CABLE ASSEMBLY, IPX (MHF1), R/A JACK, CRIMP TO SMA, RP JACK, BLKHD MNT, O-RING, IP-67, CRIMP		SIZE PART/DWG. NO: REV B CBG-IPX-SARF3OGTX9-xxIN A
SCALE: 3:1		FILE NAME SHEET 1 OF 1

PROPRIETARY AND CONFIDENTIAL

UNLESS OTHERWISE SPECIFIED, THIS DOCUMENT CONTAINS LIGHORSE TECHNOLOGIES INFORMATION. REPRODUCTION, USE, DISCLOSURE OR TRANSMITTAL OF ALL OR ANY PART OF THIS DOCUMENT IS PROHIBITED EXCEPT TO THE EXTENT APPROVED IN WRITING BY AN AUTHORIZED REPRESENTATIVE OF LIGHORSE TECHNOLOGIES. LIGHORSE TECHNOLOGIES RESERVES ALL RIGHTS UNDER PATENTS, TRADEMARKS, COPY RIGHTS AND TRADE SECRETS. COPY RIGHTS OF LIGHORSE TECHNOLOGIES 2011, ALL RIGHTS RESERVED.

