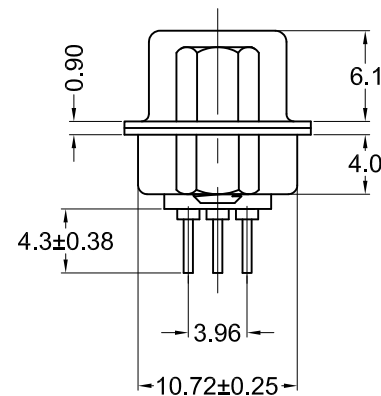


Recommended PCB Layout  
(Top View)



**Material and Finish**

Shell: Steel, Nickel plated  
 Insulator: PBT thermoplastic with glass-fiber reinforcement, UL94V-0 rated  
 Color: Black  
 Contact Material:  
 Plug - Brass

Contact Plating Options:  
 Standard: gold flash on mating end, tin on termination end, nickel underplate on entire contact  
 15 Option: 15u" gold on mating end, tin on termination end, nickel underplate on entire contact  
 30 Option: 30u" gold on mating end, tin on termination end, nickel underplate on entire contact

**Electrical Specifications**

Rated Current: 1.5A  
 Rated Voltage: 30Vac  
 Insulation Resistance: more than 1000 megohms at 500V DC  
 Contact Resistance: 13 milliohms max.  
 Dielectric Withstanding Voltage: 1000V for 1 minute  
 Operating Temperature: -55°C to +105°C

Part Number	Contact Area Plating Finish
K86X-BD-44P-KJ	Gold Flash (standard)
K86X-BD-44P-KJ15	15u" Gold (15 option)
K86X-BD-44P-KJ30	30u" Gold (30 option)

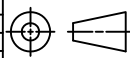


Tolerances
X.X ± 0.25
X.XX ± 0.15
Unless Stated Otherwise

REV.	DATE	DESCRIPTION	REV. BY	CHK. BY	DRAWN BY	DATE
A1	03/30/09	New Drawing	S. Vien	H. MA	S. Vien	02/17/09
A2	9/15/14	ECO#14-028	H. MA	P. DalCanto		
A3	12/31/17	ECO# 17-033	G. Serrato	C. Furumasu		

**K86X-BD-44P-KJ**

D-Sub, HD, Vertical, RoHS Compliant  
 44 Pin Male, JS, Threaded Bushings



UNITS  
mm