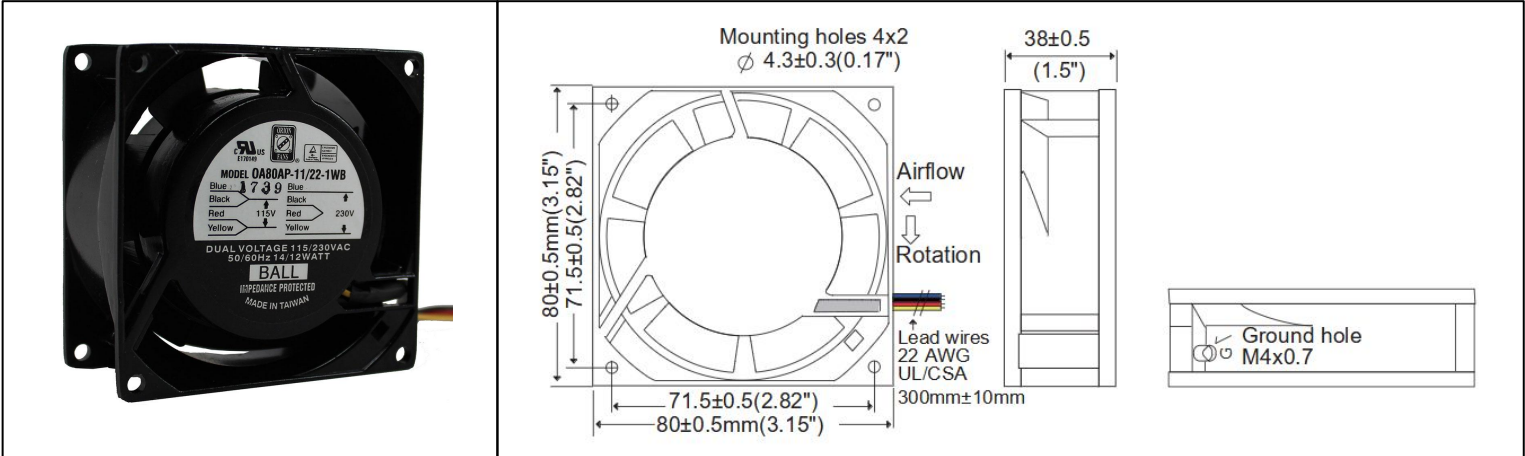


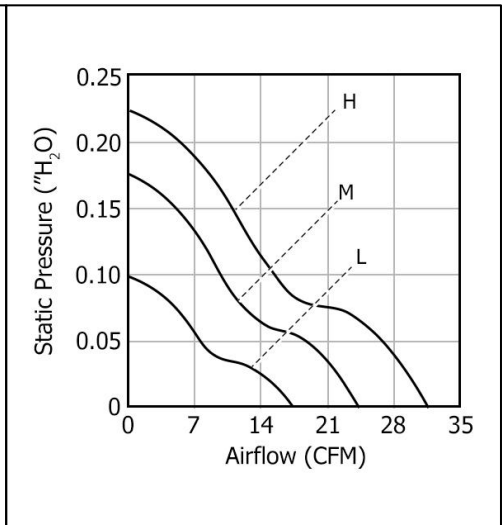
# OA80AP Dual Voltage



AC Fan - 115V, 230V  
80x80x38mm (3"x1.5")



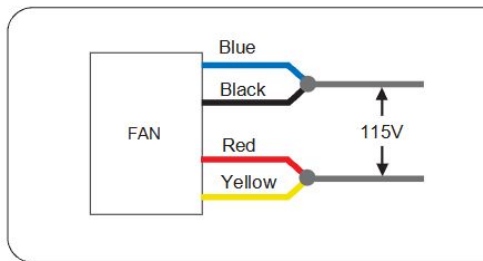
Frame	Die Cast Aluminum, Black Finish	<b>Operating Temperature</b> -20°C ~ +70°C  <b>Storage Temperature</b> -40°C ~ +100°C  <b>Life Expectancy</b> 80,000 hours (L10 at 45°C)  Weight: 0.82 lbs  m0
Impeller	PBT, UL94 V-0 plastic	
Connection	4x Lead wires, 22 AWG	
Motor	Inner Rotor, Shaded Pole Induction, Single Phase, Impedance Protected	
Bearing System	Dual Ball Bearings	
Dielectric Strength	1500VAC/min < 1mA	
Insulation Resistance	Over 100MΩ @ 500VDC Between Leadwires and Frame	



Part Number	Rated Voltage 50/60Hz	Input Power 50/60Hz	Voltage Range	Rated Speed (RPM) 50/60Hz	Airflow (CFM) 50/60Hz	Noise Level (dB) 50/60Hz	Max. Static Pressure (\"/>
OA80AP-11/22-1WB	115 / 230 VAC	14 / 12 W	100-120 / 200-240	2700 / 3250	26 / 31	29	0.16 / 0.22
OA80AP-11/22-2WB	115 / 230 VAC	11 / 9 W	100-120 / 200-240	2300 / 2550	22 / 24	22	0.13 / 0.17
OA80AP-11/22-3WB	115 / 230 VAC	7 / 5 W	100-120 / 200-240	1800 / 1700	18 / 17	18	0.12 / 0.10

\*PQ Airflow Data specifications are for 60 Hz operation

Dual Voltage Wiring Diagram **115VAC**



Dual Voltage Wiring Diagram **230VAC**

