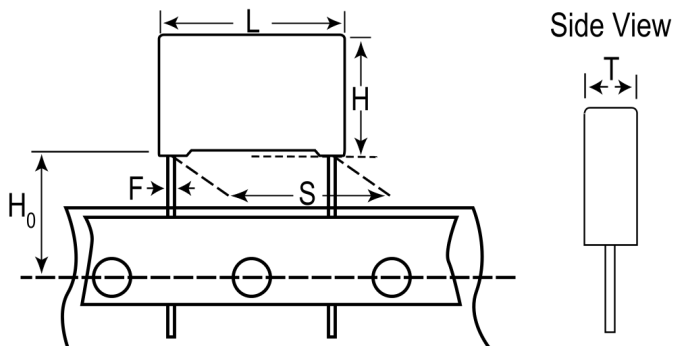


## R49AN3220DQB1M

Aliases (49AN3220DQB1M)

R49, Film, Metallized Polypropylene, Safety, 0.22 uF, 20%, 330 VAC (X1), 800 VDC, 110°C, Lead Spacing = 22.5mm



Click [here](#) for the 3D model.

### Dimensions

|    |                    |
|----|--------------------|
| L  | 26.5mm +0.3/-0.5mm |
| H  | 16mm +0.1/-0.5mm   |
| T  | 7mm +0.2/-0.5mm    |
| S  | 22.5mm +/-0.4mm    |
| H0 | 18.5mm +/-0.5mm    |
| F  | 0.8mm +/-0.05mm    |

### Packaging Specifications

|                    |                         |
|--------------------|-------------------------|
| Packaging          | Ammo, 360x340x59mm, Box |
| Packaging Quantity | 380                     |

### General Information

|                 |                          |
|-----------------|--------------------------|
| Series          | R49                      |
| Dielectric      | Metallized Polypropylene |
| Style           | Radial                   |
| Features        | EMI Safety               |
| RoHS            | Yes                      |
| Lead            | Wire Leads               |
| Safety Class    | X1                       |
| Qualifications  | ENEC, UL, cUL            |
| AEC-Q200        | No                       |
| THB Performance | No                       |

### Specifications

|                       |              |
|-----------------------|--------------|
| Capacitance           | 0.22 uF      |
| Capacitance Tolerance | 20%          |
| Voltage AC            | 330 VAC (X1) |
| Voltage DC            | 800 VDC      |
| Temperature Range     | -40/+110°C   |
| Rated Temperature     | 110°C        |
| Dissipation Factor    | 0.1% 1kHz    |
| Insulation Resistance | 100 GOhms    |
| Max dV/dt             | 400 V/us     |