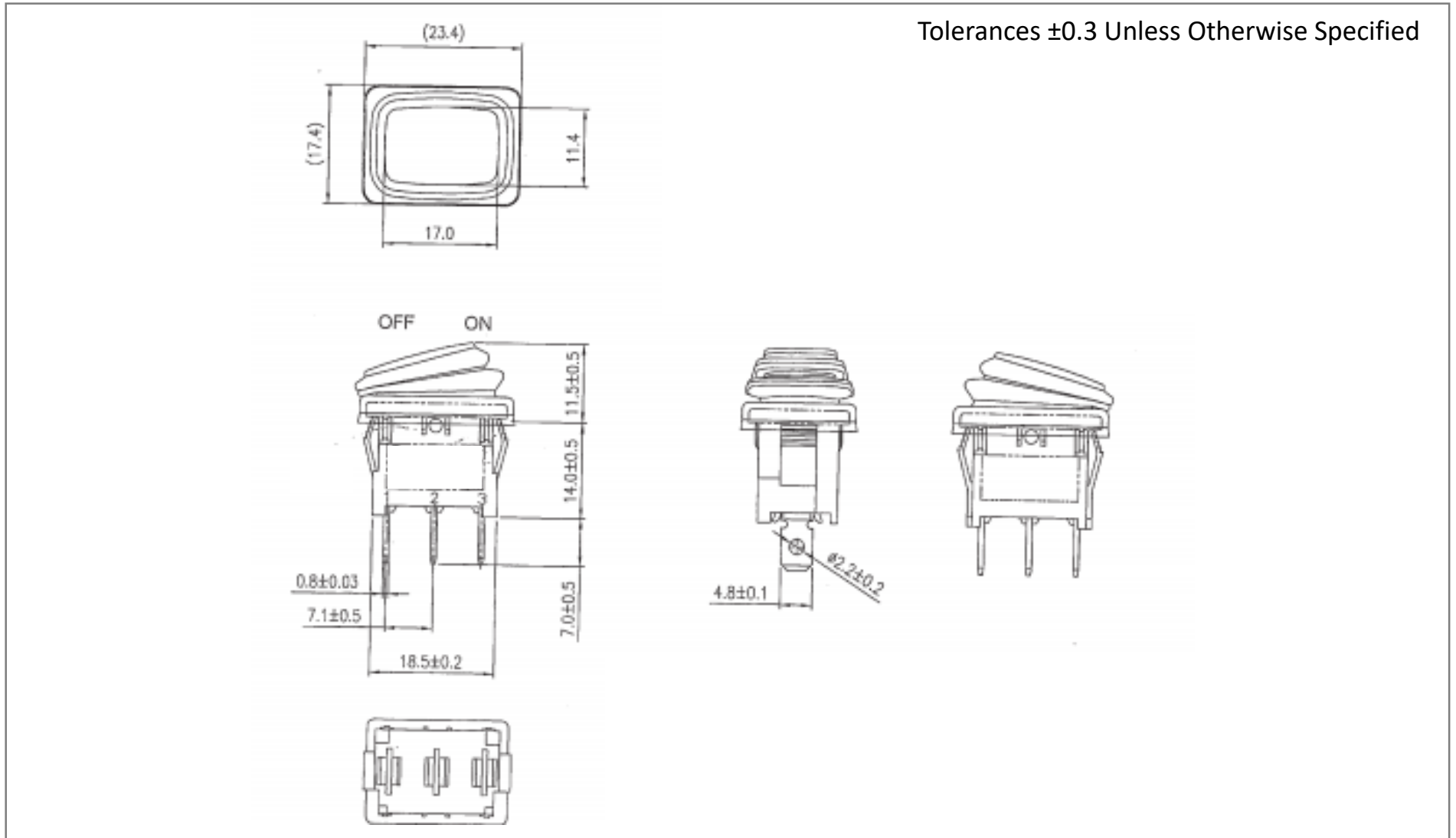
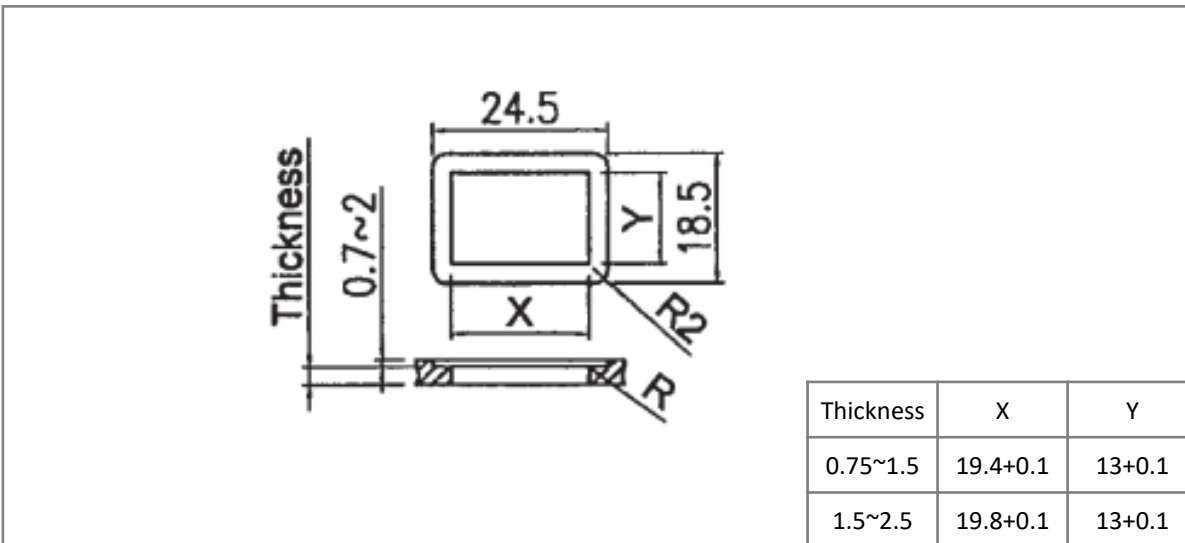


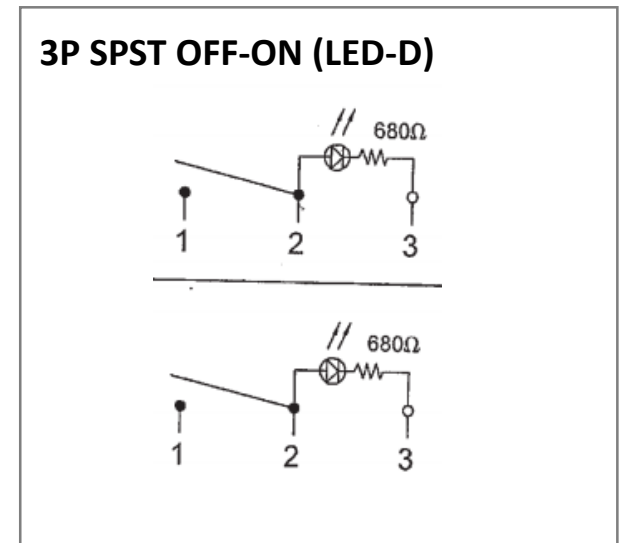
Mechanical Dimensions (mm)



Mounting Hole



Circuit Diagram



Electrical Specifications

|                              |                       |  |  |
|------------------------------|-----------------------|--|--|
| <b>Rating</b>                | 16A 12V DC            |  |  |
| <b>Contact Resistance</b>    | 50m ohm Max.          |  |  |
| <b>Insulation Resistance</b> | DC 500V 100M ohm Min. |  |  |
| <b>Dielectric Strength</b>   | AC 1500V 1 minute     |  |  |
| <b>Operation Temperature</b> | -25°C~85°C            |  |  |

Material Specifications

|                          |                         |
|--------------------------|-------------------------|
| <b>Frame</b>             | Black, Nylon 66 (94-V2) |
| <b>Actuator</b>          | Yellow, PC (94-V2)      |
| <b>LED</b>               | Yellow (Dependent)      |
| <b>Waterproof</b>        | IP-65                   |
| <b>Waterproof rubber</b> | Black, Silicone         |