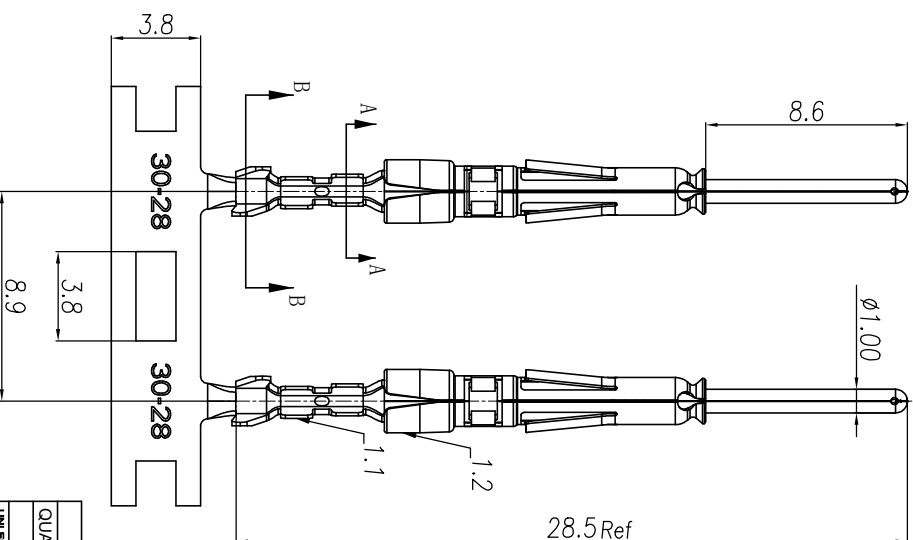


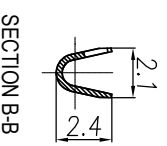
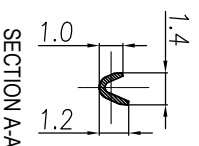
CONTACT ORIENTATION ON ROLL  
 NOTES: (UNLESS OTHERWISE SPECIFIED)

1. MATERIAL:
  - 1.1. CONTACT BODY: COPPER ALLOY.
  - 1.2. OUTER SPRING: STAINLESS STEEL.
2. SPECIFICATIONS:
  - 2.1 CURRENT RATING: 5A MAX.
  - 2.2 TERMINATION TYPE: CRIMPING.
  - 2.3 WIRE RANGE: 30-28AWG.
  - 2.4 WIRE INSULATION DIA(MAX): Ø1.8mm.
3. RoHS COMPLIANT.
4. ALL DIMENSIONS ARE FOR REFERENCE USE ONLY.
5. AVAILABLE TOOLS:
  - 5.1 HAND CRIMPER: MFX-3958 (A3)
  - 5.2 CRIMP APPLICATOR: MFX-3957.
  - 5.3 EXTRACTION TOOL: QXRT20.

P/N	CONTACT PLATING(MATING AREA)
SP28W2T	TIN PLATING OVER NICKEL.
SP28W2N	NICKEL PLATING OVER COPPERIZE.
SP28W2F	GOLD FLASH PLATING OVER NICKEL.
SP28W2G5	5µ" GOLD PLATING OVER NICKEL.
SP28W2G10	10µ" GOLD PLATING OVER NICKEL.
SP28W2G15	15µ" GOLD PLATING OVER NICKEL.
SP28W2G30	30µ" GOLD PLATING OVER NICKEL.



REVISIONS					
REV	ECO	DESCRIPTION	DATE	BY	APPR
A1	-	RELEASED DRAWING	Nov-8-17	Rookie Tommy	Tommy
A2	-	ADD THE QS PART NUMBER	Jan-28-19	Blink Tommy	Tommy
A3	-	CHANGE HAND CRIMPER	Nov-8-19	Flan Tommy	Tommy



QUANTITY	PART NUMBER	DESCRIPTION	ITEM

**UNLESS OTHERWISE SPECIFIED**

1) All dimensions are in millimeters.  
 2) Tolerances are as follows:  
 1 Pt. DEC 04-30 Fractions 1/16"  
 3 Pt. DEC 20-08 Angles 30°  
 3) Note reference = **△**

**SIGNATURES**

DRAWN: <b>Ril</b>	DATE: <b>Nov-8-19</b>
CHECKED: <b>Mah</b>	DATE: <b>Nov-8-19</b>
ENGINEER: <b>Tommy</b>	DATE: <b>Nov-8-19</b>

**MATERIAL SPECIFICATIONS**

CUSTOMER: **Tommy**

**Amphenol**

Sine Systems - www.amphenol-sine.com  
 44724 Montley Drive  
 Clinton Township, MI 48038

ECO-MATE PIN CONTACT.  
 STAMPED, 28-30AWG, SIZE 20

SCALE: NONE

SIZE: **B** TYPE: **C-** PART NUMBER: **SP28W2XX** REVISION: **A3**

SCALE: NONE SHEET 1 OF 1