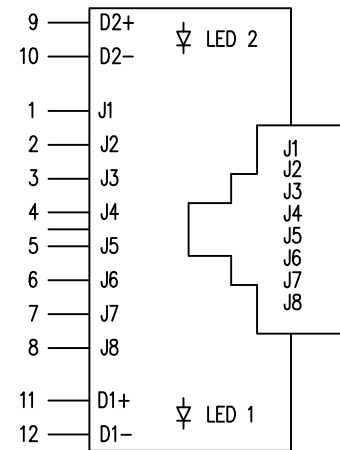
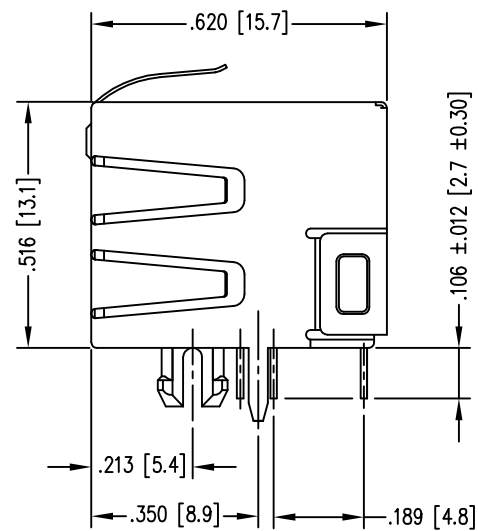
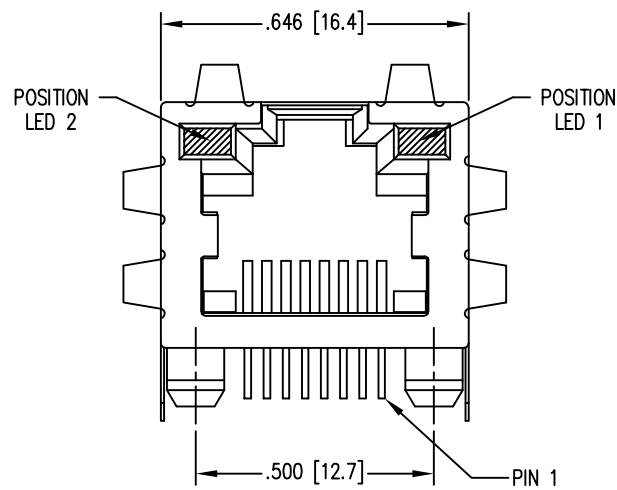


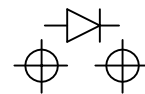
DATE	REV	ECN	APP'D. BY
11-13-15	A15	10215	TRM
3-16-16	A16	10614	TRM



LED SPECIFICATIONS			
STANDARD LED	* FORWARD VOLTAGE (MAX)	* FORWARD VOLTAGE (TYP)	WAVELENGTH
GREEN DIFFUSED	2.6 V	2.25 V	565 nm
YELLOW DIFFUSED	2.5 V	2.1 V	590 nm
RED DIFFUSED	2.5 V	2.0 V	625 nm

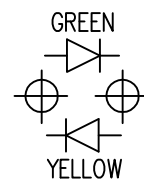
* WITH A FORWARD CURRENT OF 20 mA

LED POLARITY (ENLARGED VIEW)



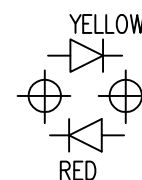
SINGLE COLOR LED

LED POLARITY (ENLARGED VIEW)



BI-COLOR LED

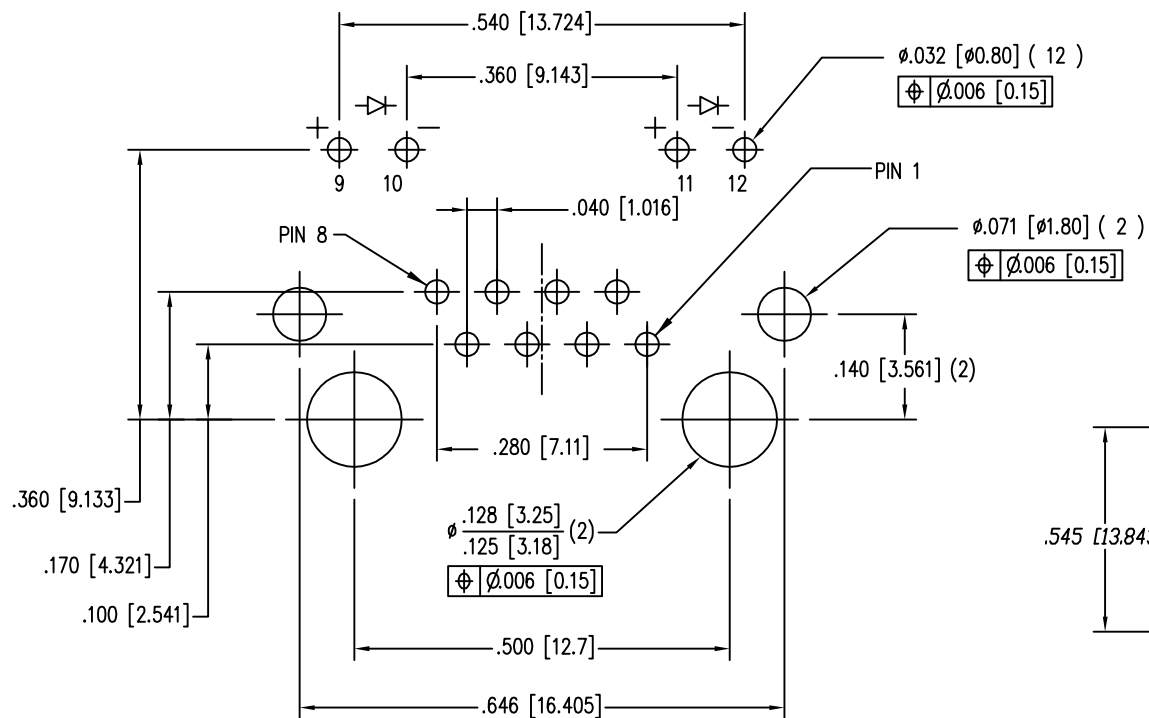
LED POLARITY (ENLARGED VIEW)



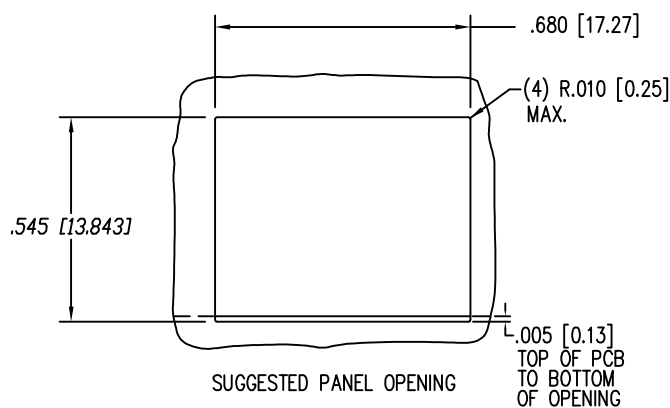
BI-COLOR LED

MATERIAL:

HOUSING: PBT+30%G.F. UL94V-0. STANDARD COLOR: BLACK
 INSERT: PBT+30%G.F. UL94V-0. STANDARD COLOR: BLACK
 LENS: PC UL94V-0. STANDARD COLOR: CLEAR
 BACK: PBT+30%G.F. STANDARD COLOR: BLACK
 LED 3.2 x 2.0 x 4.0 x P=2.29mm.
 SHIELD: COPPER ALLOY 0.25mm THICKNESS.
 CONTACT: 0.35mm (.014") THICKNESS, 50 MICRO INCH
 SELECTIVE GOLD PLATING OVER
 NICKEL PHOSPHOR BRONZE ALLOY.
 FOR PRODUCT SPECIFICATION SEE PR022-01

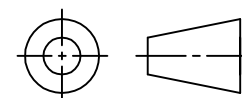


P.C.B. RECOMMENDED HOLE LAYOUT
 SEEN FROM COMPONENT SIDE
 TOLERANCE ±.003 [0.08] UNLESS OTHERWISE SPECIFIED



INDICATOR COLOR	POSITION 2	POSITION 1	PART NUMBER
GREEN/YELLOW	GREEN/YELLOW	SS-74401-011	
GREEN	RED	SS-74401-008	
YELLOW	GREEN	SS-74401-001	

THIRD ANGLE PROJECTION



1118 Susquehanna Trail South
 Glen Rock, PA 17327-9199
 (717) 235-7512

http://www.stewartconnector.com

DO NOT SCALE DRAWING
 DRAWING IS SUBJECT TO
 CHANGE WITHOUT NOTICE

TITLE: MODULAR JACKS, EMI-RFI ONE PIECE SHIELDED, ESD GROUND
 SINGLE PORT PCB, LED PAC

DIMENSIONS: INCHES [METRIC]
 UNLESS OTHERWISE SPECIFIED
 TOLERANCES ARE ±.005 [0.13]
 ANGLES ARE ± 1°

THIS DRAWING AND THE SUBJECT MATTER SHOWN THEREON
 ARE CONFIDENTIAL AND THE PROPRIETARY PROPERTY OF
 STEWART CONNECTOR AND SHALL NOT BE REPRODUCED,
 COPIED, OR USED IN ANY MANNER WITHOUT PRIOR WRITTEN
 CONSENT OF STEWART CONNECTOR. ONE OR MORE U.S. PATENTS
 MAY APPLY TO THIS PRODUCT. FOR DETAILS, PLEASE
 VISIT: HTTP://BELFUSE.COM/STEWART/STEWART_PATENTS/

DRN BY:	TRM	DATE	9-26-01
APPD BY:	RGC	DATE	9-26-01
DWG NO.	CT740080	REV.	A16

SHEET NO. 1 OF 1

