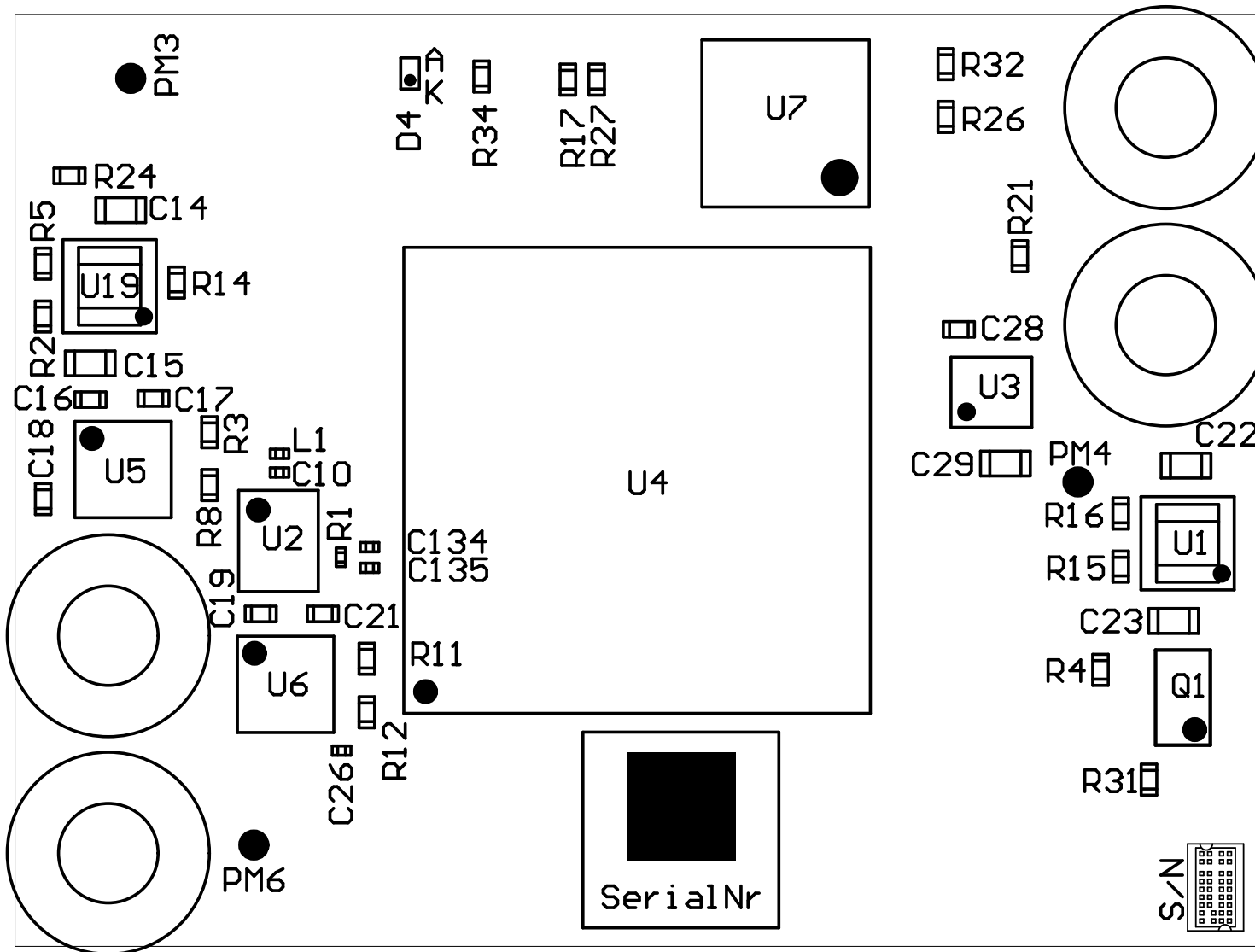


Variant name: TE0714-03-35-21

Top View



Variant name: TE0714-03-35-21

Bottom View

