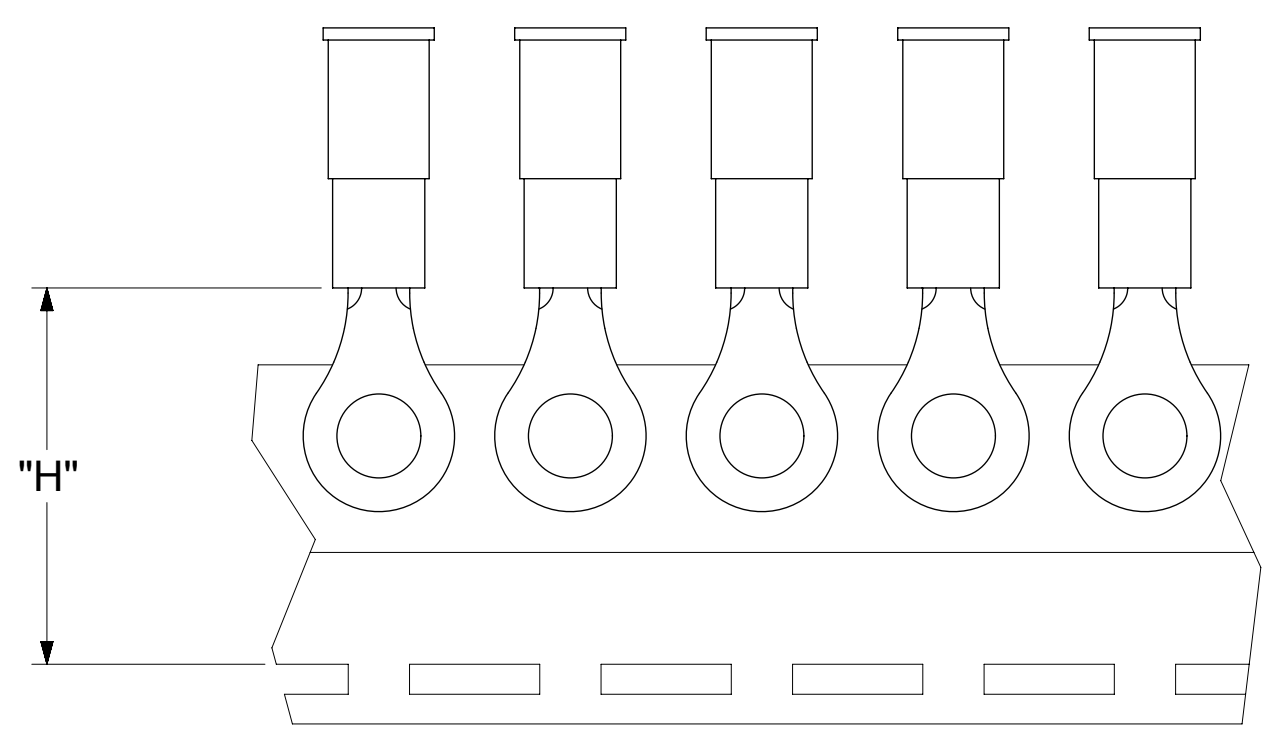
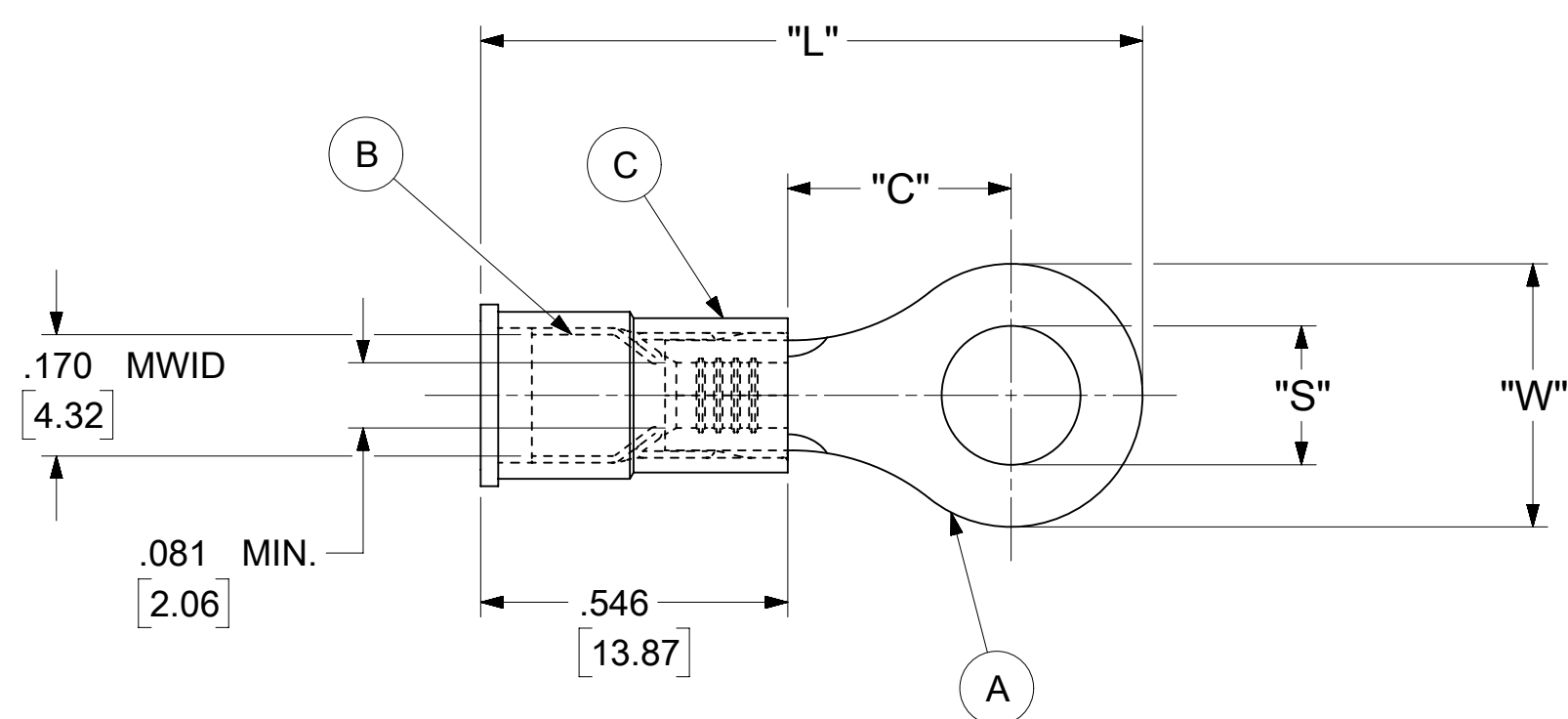


| LOOSE PIECE     |                    | TAPE MOUNTED    |                    | SPECIFICATIONS |                     |                     |              |               |              |                                  |
|-----------------|--------------------|-----------------|--------------------|----------------|---------------------|---------------------|--------------|---------------|--------------|----------------------------------|
| MATERIAL NUMBER | ENGINEERING NUMBER | MATERIAL NUMBER | ENGINEERING NUMBER | STUD SIZE      | "S"<br>±.005 [0.13] | "W"<br>±.010 [0.25] | "C"<br>MIN.  | "L"<br>MAX.   | "H"          | STOCK ±.001 [0.025]<br>THICKNESS |
| 190570046       | B-518-38           | ---             | ---                | 38             | .390 [9.91]         | .534 [13.56]        | .554 [14.07] | 1.407 [35.74] | ---          | .031 [0.79]                      |
| 190570048       | B-518-56           | ---             | ---                | 56             | .328 [8.33]         |                     |              |               |              |                                  |
| 190570052       | B-523-04           | ---             | ---                | 4              | .119 [3.02]         | .250 [6.35]         | .209 [5.31]  | .931 [23.65]  | .980 [24.89] | .031 [0.79]                      |
| 190570054       | B-523-06           | 190570055       | B-523-06T          | 6              | .146 [3.71]         |                     |              |               |              |                                  |
| 190570056       | B-523-08           | 190570057       | B-523-08T          | 8              | .173 [4.39]         |                     |              |               |              |                                  |
| 190570060       | B-525-14           | ---             | ---                | 14             | .265 [6.73]         | .467 [11.86]        | .388 [9.86]  | 1.208 [30.68] | ---          | .031 [0.79]                      |
| 190570062       | B-525-56           | ---             | ---                | 56             | .328 [8.33]         |                     |              |               |              |                                  |
| 190570086       | B-537-04           | ---             | ---                | 4              | .119 [3.02]         | .312 [7.92]         | .285 [7.24]  | 1.022 [25.96] | ---          | .031 [0.79]                      |
| 190570088       | B-537-06           | ---             | ---                | 6              | .146 [3.71]         |                     |              |               |              |                                  |
| 190570090       | B-537-08           | ---             | ---                | 8              | .173 [4.39]         |                     |              |               |              |                                  |
| 190570093       | B-537-10           | ---             | ---                | 10             | .198 [5.03]         |                     |              |               |              |                                  |
| 190570100       | B-539-08           | ---             | ---                | 8              | .173 [4.39]         | .342 [8.69]         | .310 [7.87]  | 1.067 [27.10] | ---          | .031 [0.79]                      |
| 190570102       | B-539-10           | ---             | ---                | 10             | .198 [5.03]         |                     |              |               |              |                                  |



PARTS ON TAPE

- NOTES:
- MATERIAL:
    - (A). RING TONGUE TERMINAL: COPPER  
PLATING: ELECTRO-TIN (.0003 MIN.)
    - (B). TIN-PLATED BRASS FUNNEL FERRULE
    - (C). INSULATION: NYLON (BLUE)
  - MWID: MAXIMUM WIRE INSULATION DIAMETER
  - WIRE SIZE: 16 -14 AWG  
1.0 -2.5 MM<sup>2</sup>
  - ALL DIMENSIONS IN INCHES/[MM].
  - PARTS ARE ROHS COMPLIANT.
  - DIMS. SHOWN ARE FOR REFERENCE ONLY.

|   |  |                 |                        |            |          |  |        |                |       |              |  |
|---|--|-----------------|------------------------|------------|----------|--|--------|----------------|-------|--------------|--|
| THIS DRAWING CONTAINS INFORMATION THAT IS PROPRIETARY TO MOLEX ELECTRONIC TECHNOLOGIES, LLC AND SHOULD NOT BE USED WITHOUT WRITTEN PERMISSION |  |                 |                        |            |          |  |        |                |       |              |  |
| SYMBOLS   |  | DIMENSION UNITS |                        | SCALE      |          | CURRENT REV DESC: MIGRATION TO ECTR/NX |        |                |       |              |  |
| ▽ = 0   | INCH/MM  | NTS             |                        |            |          |  |        |                |       |              |  |
| ▽ = 0   | GENERAL TOLERANCES (UNLESS SPECIFIED)                |                 |                        |            |          |  |        |                |       |              |  |
| ▽ = 0   |  | MM              | INCH                   |            |          |  |        |                |       |              |  |
| ▽ = 0   | 4 PLACES   | ±               | ---                    | ±          | ---      | EC NO: 620952                          |        |                |       |              |  |
| ▽ = 0   | 3 PLACES   | ±               | ---                    | ±          | .005     | DRWN: ABENJAMINLW                      |        | 2019/06/14     |       |              |  |
| ▽ = 0   | 2 PLACES   | ±               | 0.13                   | ±          | .01      | CHK'D: GROJAS01                        |        | 2019/07/19     |       |              |  |
| ▽ = 0   | 1 PLACE  | ±               | 0.25                   | ±          | ---      | APPR: JMACNEIL                         |        | 2019/08/05     |       |              |  |
| ▽ = 0   | 0 PLACES   | ±               | ---                    | ±          | ---      | INITIAL REVISION:                      |        |                |       |              |  |
| ▽ = 0   | ANGULAR TOL  | ±               | 0.5 °                  |            |          | DRWN: KO                               |        | 1984/11/12     |       |              |  |
| ▽ = 0   | DRAFT WHERE APPLICABLE MUST REMAIN WITHIN DIMENSIONS |                 | THIRD ANGLE PROJECTION |            | DRAWING  |  | SERIES |                | 19057 |              |  |
| ▽ = 0   |  |                 |                        |            | C-SIZE   |  |        |                | 19057 |              |  |
| DOCUMENT STATUS   |  | P1              | RELEASE DATE           | 2019/08/05 | 20:29:45 | MATERIAL NUMBER                        |        | CUSTOMER       |       | SHEET NUMBER |  |
|   |  |                 |                        |            |          | SEE TABLE                              |        | GENERAL MARKET |       | 1 OF 1       |  |



RING TONGUE TERMINAL  
AVIKRIMP 500-SERIES

PRODUCT CUSTOMER DRAWING

|                 |          |          |          |
|-----------------|----------|----------|----------|
| DOCUMENT NUMBER | DOC TYPE | DOC PART | REVISION |
| 190570042       | PSD      | 000      | A        |

NOTES:

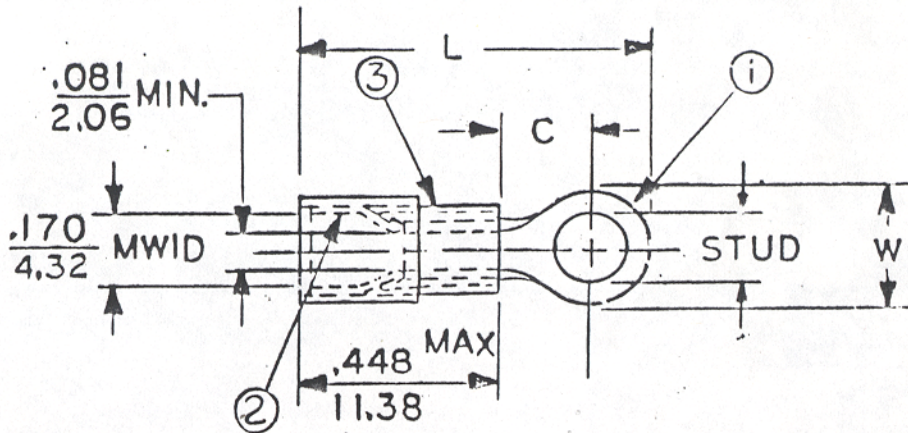
- ① MAT'L: COPPER (STOCK TKN.  $\frac{.031}{.79}$  )  $\pm .001$
- PLATING: ELECTRO TIN (.0003 MIN)
- ② TIN-PLATED BRASS FUNNEL FERRULE
- ③ NYLON INSULATION (COLOR CODED BLUE)

FILE NO. B-CD-501-01

STUD SIZES: ( $\pm .005$ )

- 02 = .094
- 04 = .119
- 06 = .146
- 08 = .173
- 10 = .198
- 14 = .265
- 56 = .328
- 38 = .390

"UL" LISTING # E32244  
 "CSA" LISTING # 18689



WIRE SIZE: 16-14 AWG  
 1.0-2.5 MM<sup>2</sup>

ALL DIMENSIONS =  $\frac{\text{INCHES}}{\text{MM}}$  (MWID) = DENOTES MAXIMUM WIRE INSULATION DIAMETER

| PART NUMBER | "W" $\pm .010$      | "C" MIN.            | "L" MAX.             | AVAILABLE STUD SIZES |
|-------------|---------------------|---------------------|----------------------|----------------------|
| B-523-      | $\frac{.250}{6.35}$ | $\frac{.209}{5.31}$ | $\frac{.833}{21.16}$ | 04, 06, 08           |

|   |       |       |           |                     |          |  |              |
|---|-------|-------|-----------|---------------------|----------|--|--------------|
| DIMENSIONAL TOLERANCES UNLESS OTHERWISE SPECIFIED |       |       | REFERENCE | SCALE: NTS          | DATE     | TITLE:                                   |              |
| FRAC.   | DEC.  | ANG.  |           | DRWN. BY: <i>fo</i> | 11-12-84 | RING TONGUE TERMINAL AVIKRIMP 500-SERIES |              |
| $\pm$   | $\pm$ | $\pm$ |           | CHKD. BY: <i>62</i> | 11-30-84 |  | DWG. NO. A   |
|   |       |       |           | APPRD. BY:          |          |  | CUSTOMER DWG |