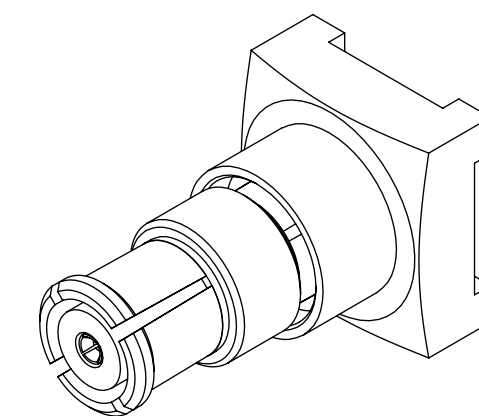
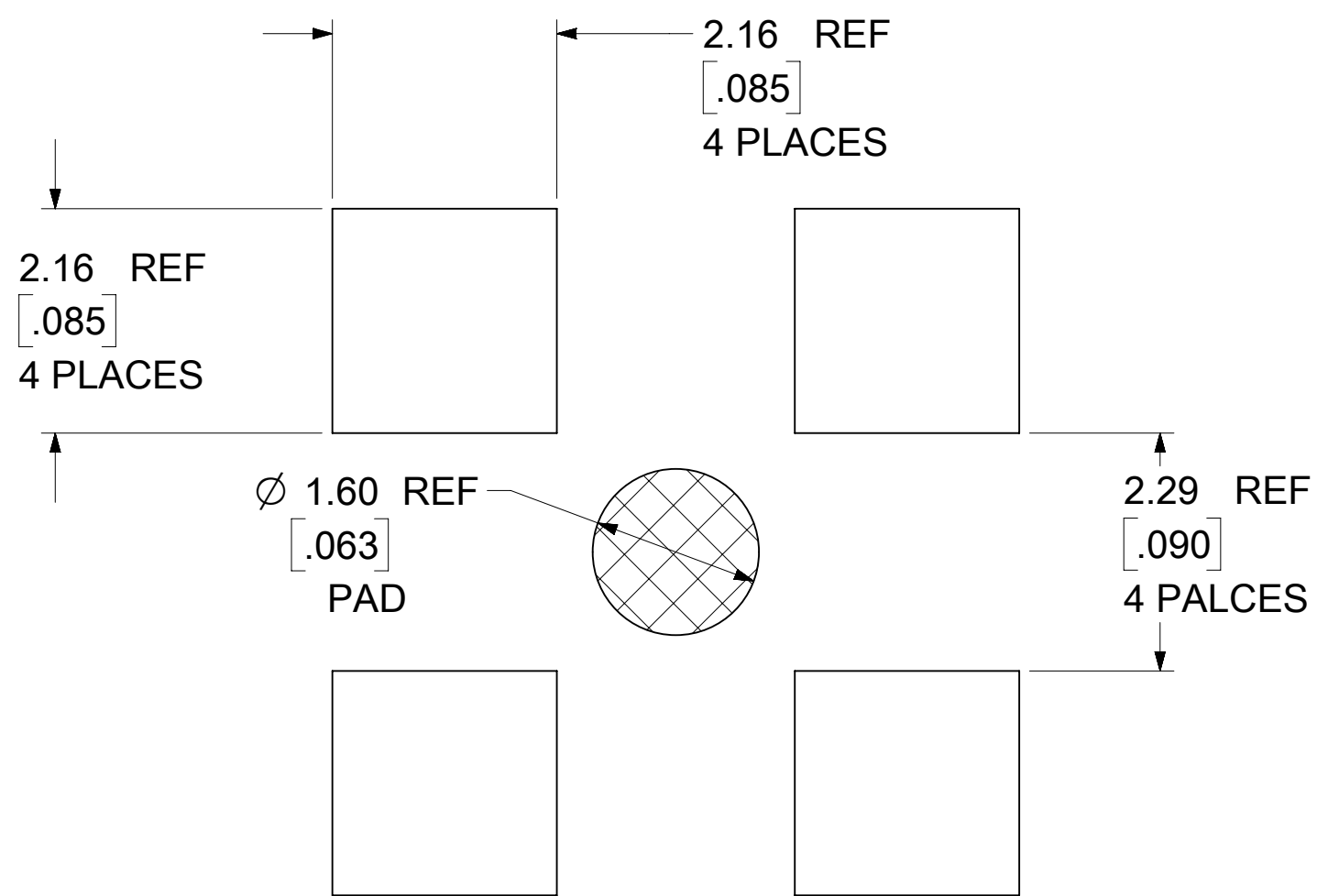
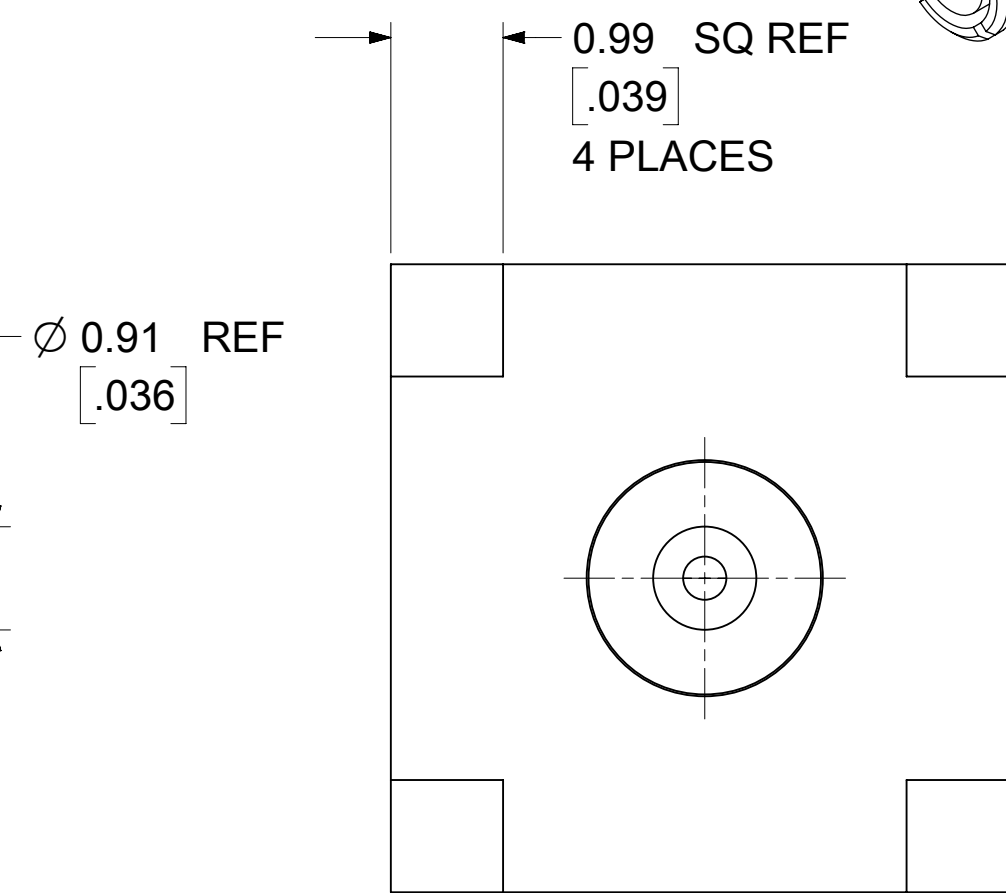
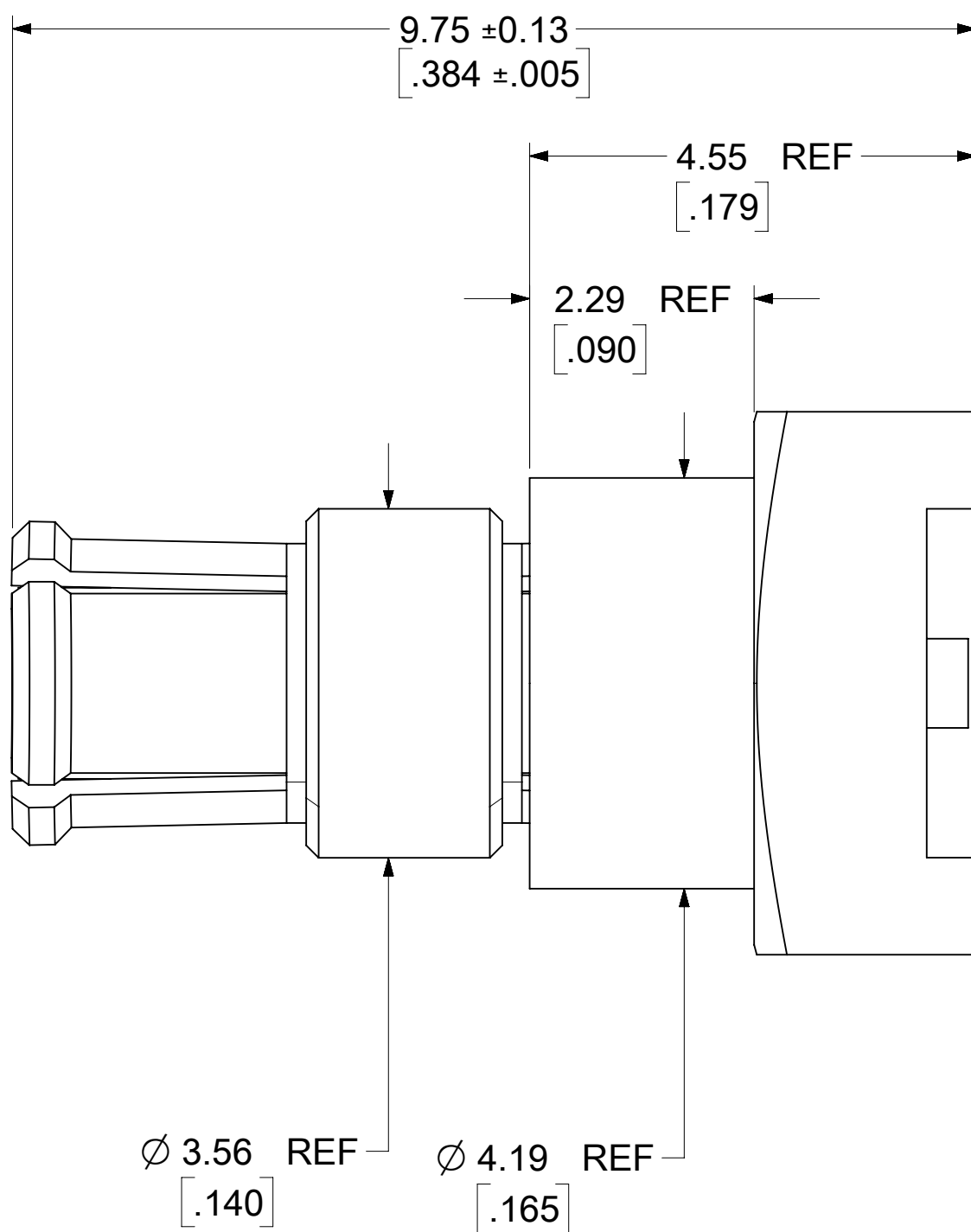
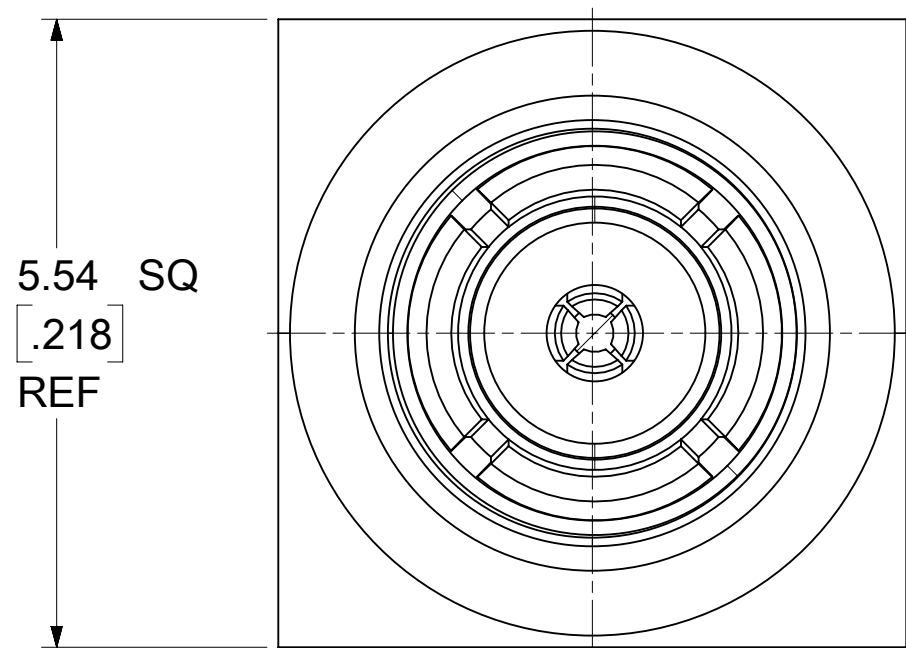


MATERIAL AND FINISHES:

SEE SHEETS 2 & 3 FOR PACKAGING INSTRUCTIONS)

SMP PLUG:
SEE SD-73415-428

SMP JACK:
SEE SD-73415-429

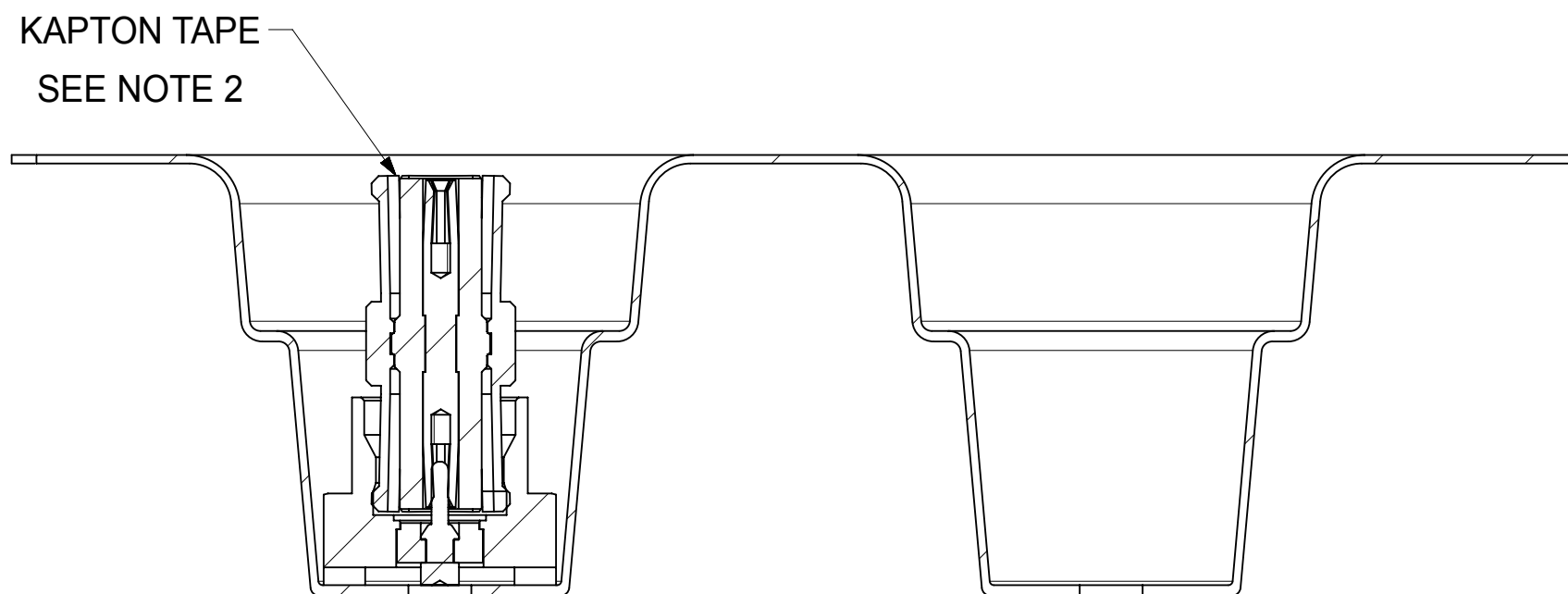
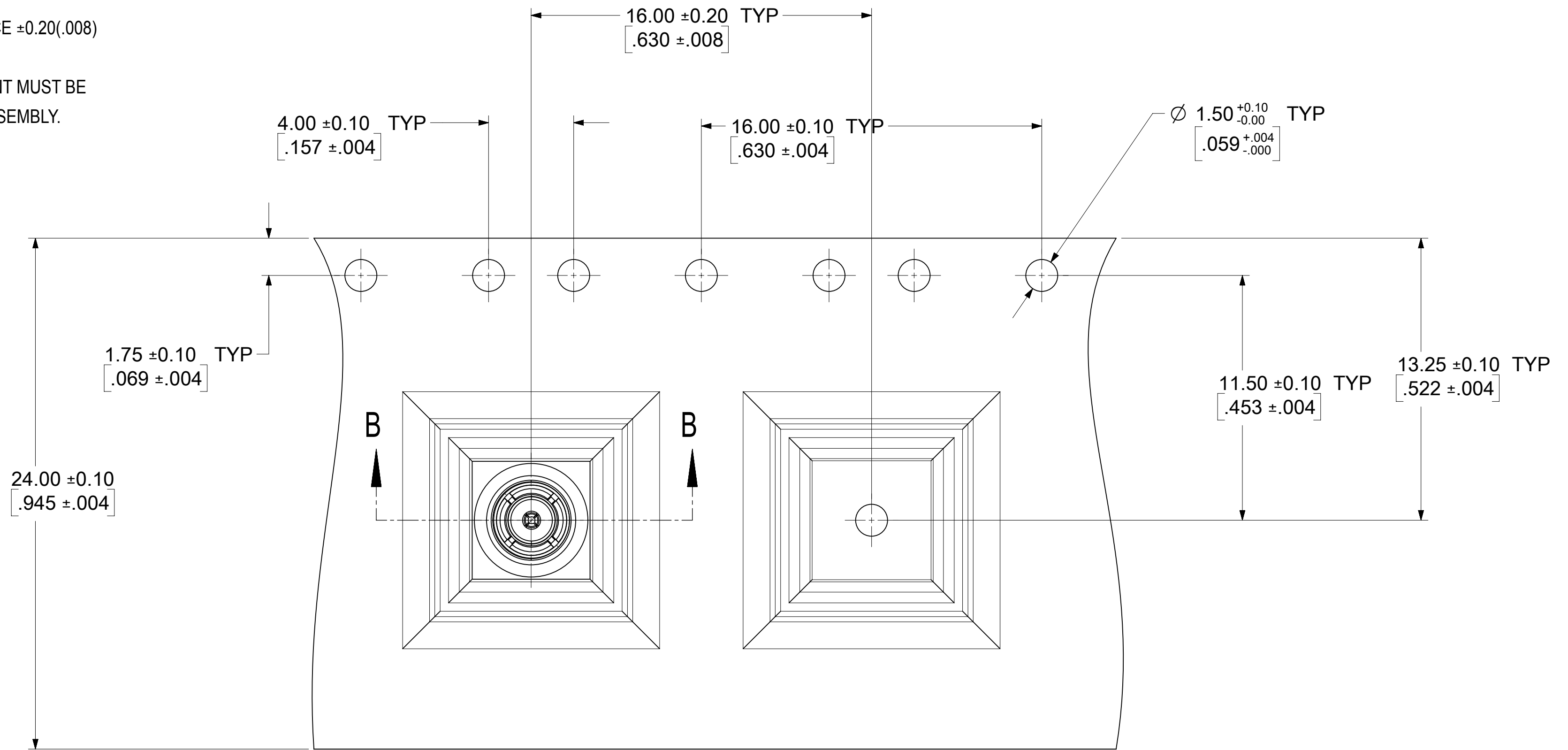


73415-4241	ONE PER BAG	895420470
73415-4240	TAPE & REEL	-----
PART NO.	PACKAGING	PACKING SPEC

PCB LAYOUT

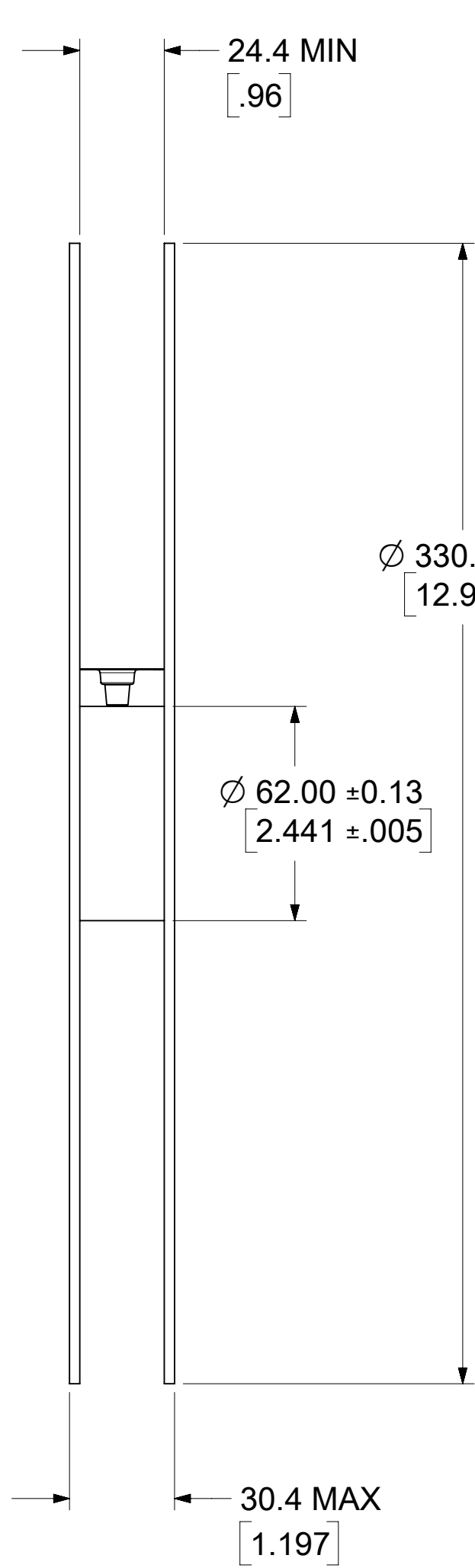
FUNCTIONAL SYMBOLS	THIS DRAWING CONTAINS INFORMATION THAT IS PROPRIETARY TO MOLEX ELECTRONIC TECHNOLOGIES, LLC AND SHOULD NOT BE USED WITHOUT WRITTEN PERMISSION								
	DIMENSION UNITS	SCALE	CURRENT REV DESC:						
$\frac{E}{A} = 0$	MM/INCH	NTS	EWR # 15321-E ADDED -4241 PART NO						
$\frac{E}{C} = 0$	GENERAL TOLERANCES (UNLESS SPECIFIED)		EC NO: 718007						
$\frac{E}{P} = 0$	ANGULAR TOL ± 2.0°		DRWN: JSU18 2022/08/10						
DIVISIONAL SYMBOLS	4 PLACES	±	CHK'D: YCHENG 2022/08/24						
	3 PLACES	±	APPR: YCHENG 2022/08/24						
	2 PLACES	± 0.25	INITIAL REVISION:						
	1 PLACE	±	DRWN: SSHAH 2007/11/16						
0 PLACES	±	APPR: JWIENER 2007/11/16	DOCUMENT NUMBER						
DRAFT WHERE APPLICABLE MUST REMAIN WITHIN DIMENSIONS		THIRD ANGLE PROJECTION	DRAWING	SERIES	MATERIAL NUMBER	CUSTOMER	DOC TYPE	DOC PART	REVISION
			C-SIZE	73415	SD-73415-424	GENERAL MARKET	PSD	001	B3
DOCUMENT STATUS		P1	RELEASE DATE	2022/08/24 02:18:06			SHEET NUMBER		
							1 OF 3		

- NOTE:
- 10 PITCHES CUMULATIVE TOLERANCE ± 0.20 (.008)
 - BLACK KAPTON TAPE OR EQUIVALENT MUST BE PLACED ON TOP OF CONNECTOR ASSEMBLY.

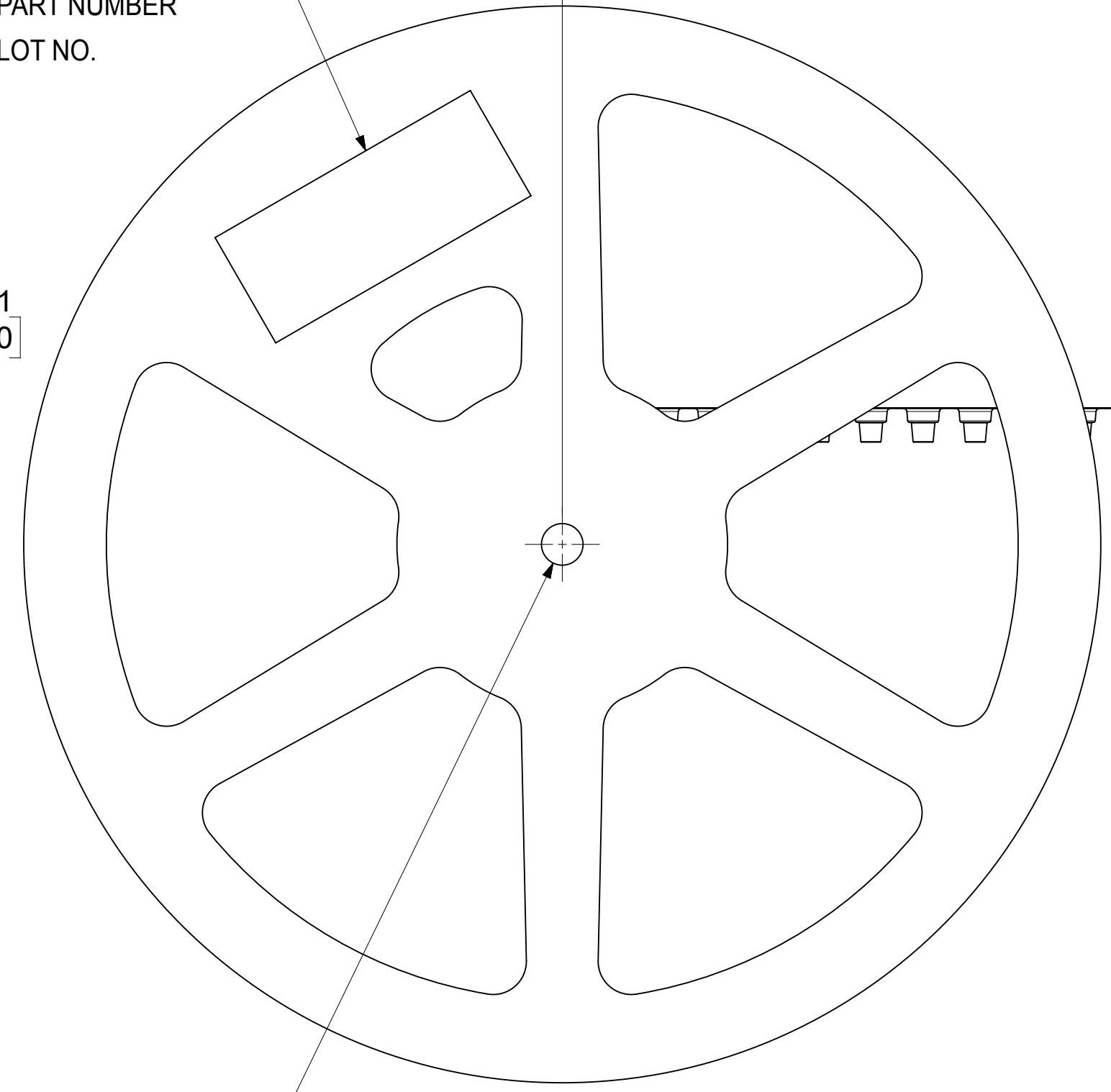


SECTION B-B

FUNCTIONAL SYMBOLS $\nabla_A = 0$ $\nabla_C = 0$ $\nabla_P = 0$ DIVISIONAL SYMBOLS 4 PLACES \pm 3 PLACES \pm 2 PLACES ± 0.25 1 PLACE \pm 0 PLACES \pm	THIS DRAWING CONTAINS INFORMATION THAT IS PROPRIETARY TO MOLEX ELECTRONIC TECHNOLOGIES, LLC AND SHOULD NOT BE USED WITHOUT WRITTEN PERMISSION		CURRENT REV DESC:		molex SMP ADAPTER ASSEMBLY 50 OHMS, EWR1994 SMP-P/PCB		
	DIMENSION UNITS	SCALE	EWR # 15321-E ADDED -4241 PART NO				
	MM/INCH	NTS	EC NO: 718007 DRWN: JSU18 2022/08/10 CHK'D: YCHENG 2022/08/24 APPR: YCHENG 2022/08/24		PRODUCT CUSTOMER DRAWING		
	GENERAL TOLERANCES (UNLESS SPECIFIED)		INITIAL REVISION:		DOCUMENT NUMBER	DOC TYPE	DOC PART
ANGULAR TOL $\pm 2.0^\circ$		DRWN: SSHAH 2007/11/16 APPR: JWIENER 2007/11/16		SD-73415-424	PSD	001	B3
DRAFT WHERE APPLICABLE MUST REMAIN WITHIN DIMENSIONS		THIRD ANGLE PROJECTION	DRAWING	SERIES	MATERIAL NUMBER	CUSTOMER	SHEET NUMBER
			C-SIZE	73415		GENERAL MARKET	2 OF 3



LABEL:
 - ORDER NO.
 - QUANTITY
 - PART NUMBER
 - LOT NO.



80mm EMPTY UNITS
 MINIMUM

ORDER QUANTITY
 PACKED WITH 400
 COMPONENTS

250mm EMPTY UNITS
 MINIMUM

HANDLING DIRECTION →

9.00
 [.354]
 MIN

FUNCTIONAL SYMBOLS $\frac{F}{A} = 0$ $\frac{F}{C} = 0$ $\frac{F}{P} = 0$	THIS DRAWING CONTAINS INFORMATION THAT IS PROPRIETARY TO MOLEX ELECTRONIC TECHNOLOGIES, LLC AND SHOULD NOT BE USED WITHOUT WRITTEN PERMISSION													
	DIMENSION UNITS	SCALE	CURRENT REV DESC:											
	MM/INCH	NTS	EWR # 15321-E ADDED -4241 PART NO											
	GENERAL TOLERANCES (UNLESS SPECIFIED)		EC NO: 718007 DRWN: JSU18 2022/08/10 CHK'D: YCHENG 2022/08/24 APPR: YCHENG 2022/08/24											
DIVISIONAL SYMBOLS $\frac{F}{A} = 0$ $\frac{F}{C} = 0$ $\frac{F}{P} = 0$	ANGULAR TOL ± 2.0°		INITIAL REVISION:								PRODUCT CUSTOMER DRAWING			
	4 PLACES ±		DRWN: SSHAH 2007/11/16 APPR: JWIENER 2007/11/16								DOCUMENT NUMBER	DOC TYPE	DOC PART	REVISION
	3 PLACES ±		DRAFT WHERE APPLICABLE MUST REMAIN WITHIN DIMENSIONS								SD-73415-424	PSD	001	B3
	2 PLACES ± 0.25		THIRD ANGLE PROJECTION	DRAWING	SERIES	MATERIAL NUMBER	CUSTOMER	SHEET NUMBER						
1 PLACE ±			C-SIZE	73415		GENERAL MARKET	3 OF 3							
0 PLACES ±														