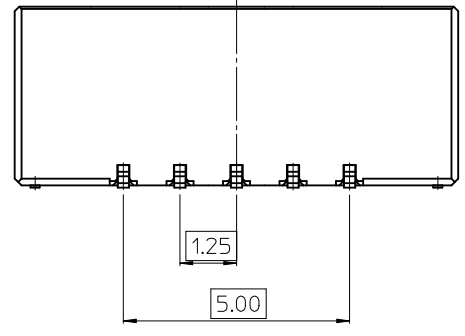
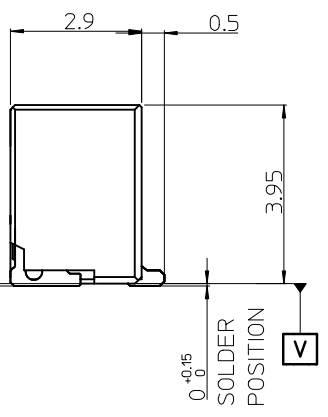
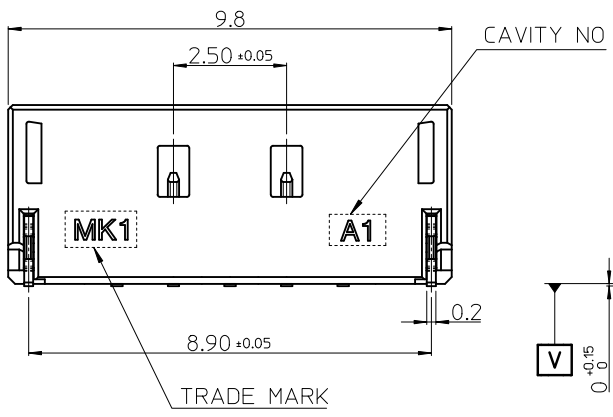
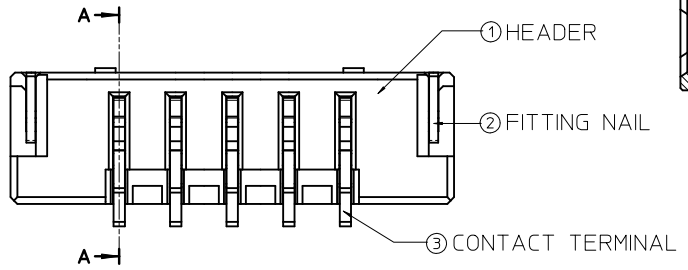
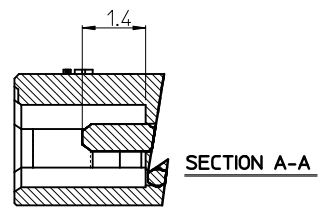


RECOMMENDED PCB LAY OUT
[GENERAL TOLERANCE ±0.05]



- NOTES.
- MATED WITH : 104131-0500
 - MATERIALS.
 - HEADER : LCP E130I, GLASS FILLED, UL 94V-0 HALOGEN FREE, COLOR OF NATURAL
 - CONTACT TERMINAL : PHOSPHOR BRONZE, 0.25mm Thickness
 - FITTING NAIL : PHOSPHOR BRONZE, 0.2mm Thickness
 - FINISHES.
 - CONTACT TERMINAL : PURE-TIN PLATING ON OVERALL. THICKNESS : 3.0µm~5.0µm UNDER PLATING Ni OVERALL. THICKNESS : 1.25µm~3.75µm
 - FITTING NAIL : PURE-TIN PLATING ON OVERALL. THICKNESS : 3.0µm~5.0µm UNDER PLATING Ni OVERALL. THICKNESS : 1.25µm~3.75µm
 - COPLANALITY OF SOLDER TAIL (PEAK TEMP. : 260°C) BEFORE & AFTER REFLOW : 0.08MAX



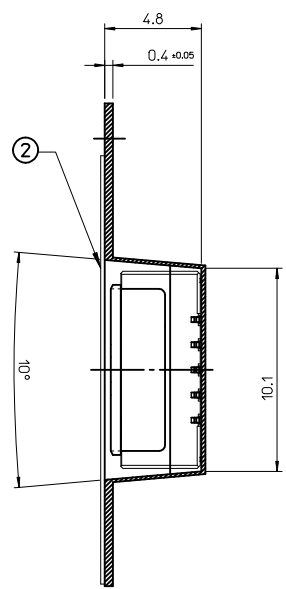
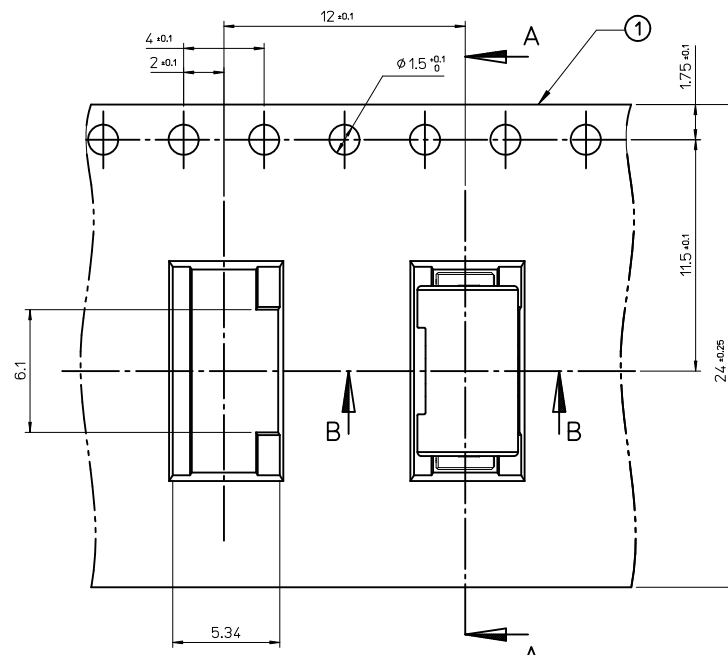
RELEASED	EC NO: KOR2012-0059	2011/12/20	QUALITY SYMBOLS ▽=0 ◁=0
	DRWN: JHPARK01	2011/12/20	
	CHKD: SHCHU	2011/12/20	
	APPR: YUNSIKKIM	2011/12/29	
REV	DESCRIPTION		
A			

GENERAL TOLERANCES (UNLESS SPECIFIED)		mm	INCH
	4 PLACES	± ---	± ---
	3 PLACES	± ---	± ---
	2 PLACES	± 0.15	± ---
	1 PLACE	± 0.15	± ---
ANGULAR ± 1 °			
DRAFT WHERE APPLICABLE MUST REMAIN WITHIN DIMENSIONS			

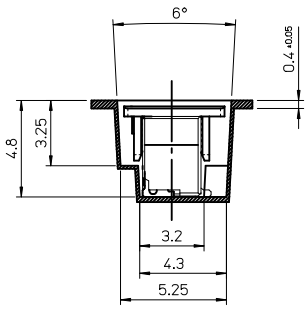
DIMENSION STYLE MM ONLY	
DRAWN BY JHPARK01	DATE 2011/12/20
CHECKED BY SHCHU	DATE 2011/12/20
APPROVED BY YUNSIKKIM	DATE 2011/12/29
MATERIAL NO. 1041300510	

SCALE 9/1	DESIGN UNITS METRIC	THIRD ANGLE PROJECTION
TITLE 1.25MM W-T-B CONN.5P HEADER ASS'Y		
MOLEX INCORPORATED		SHEET NO. 1 OF 1
DOCUMENT NO. SD-104130-003		

10 9 8 7 6 5 4 3 2 1

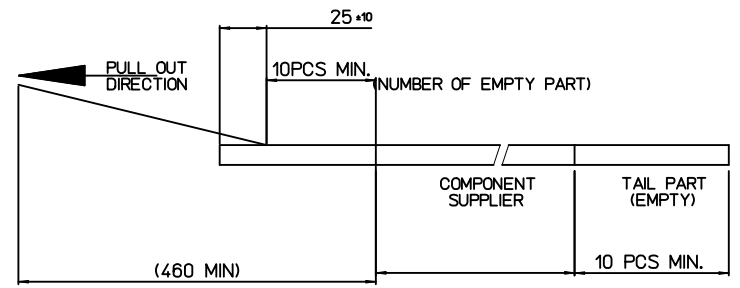


SECTION A-A

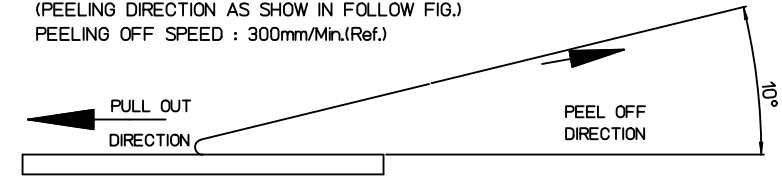


SECTION B-B

- NOTES
 1. QUANTITY OF CONNECTORS : 1,500 PCS/REEL
 2. LEAD LENGTH



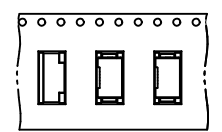
3. PEELING OFF FORCE OF COVER TAPE : 0.1N~0.59N(10.2GF~60GF)
 (PEELING DIRECTION AS SHOW IN FOLLOW FIG.)
 PEELING OFF SPEED : 300mm/Min.(Ref.)



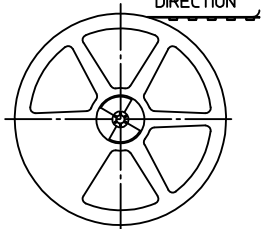
4. FLASH IN ANY PORTION SHOULD BE LESS THAN 0.20mm MAX.
 5. UNLESS OTHERWISE SPECIFIED INNER R0.2 MAX
 6. DRAFT ANGLE 3°MAX

NO.	DESCRIPTION	MATERIAL	REMARK
3	PLASTIC BOBBIN	HI P.S	WHITE
2	COVER TAPE	PET ANTISTATIC	21.3m
1	CARRIER (EMBOSSED) TAPE	PET ANTISTATIC	

PULL OUT DIRECTION



PULL OUT DIRECTION



PLASTIC BOBBIN

RELEASED
 EC NO: KOR2012-0059
 DRWN: JHPARK01 2011/12/20
 CHKD:
 APPR: YUNSIKKIM 2011/12/29

QUALITY SYMBOLS
 ▽=0
 ∇=0

GENERAL TOLERANCES (UNLESS SPECIFIED)

	mm	INCH
4 PLACES	± ---	± ---
3 PLACES	± ---	± ---
2 PLACES	± ---	± ---
1 PLACE	± 0.25	± ---

ANGULAR ± 3 °

DRAFT WHERE APPLICABLE MUST REMAIN WITHIN DIMENSIONS

DIMENSION STYLE
 MM ONLY

DRAWN BY: JB. JIN
 DATE: 2010/01/21

CHECKED BY: SH. CHU
 DATE: 2010/01/21

APPROVED BY: YUNSIKKIM
 DATE: 2011/12/29

MATERIAL NO.
 1041300510

SIZE
 A3

SCALE: DESIGN UNITS: METRIC

THIRD ANGLE PROJECTION

EMBOSSED PACKAGE
 1.25 WIRE TO BOARD CONN.
 HEADER ASS'Y-5P

MOLEX INCORPORATED

DOCUMENT NO. SD-104130-004

SHEET NO. 1 OF 1

THIS DRAWING CONTAINS INFORMATION THAT IS PROPRIETARY TO MOLEX INCORPORATED AND SHOULD NOT BE USED WITHOUT WRITTEN PERMISSION

9 8 7 6 5 4 3 2 1