

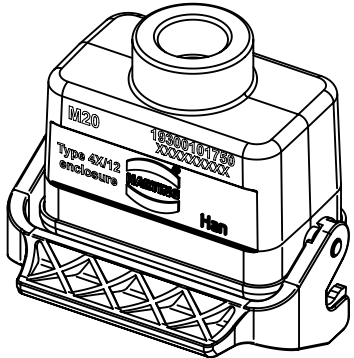
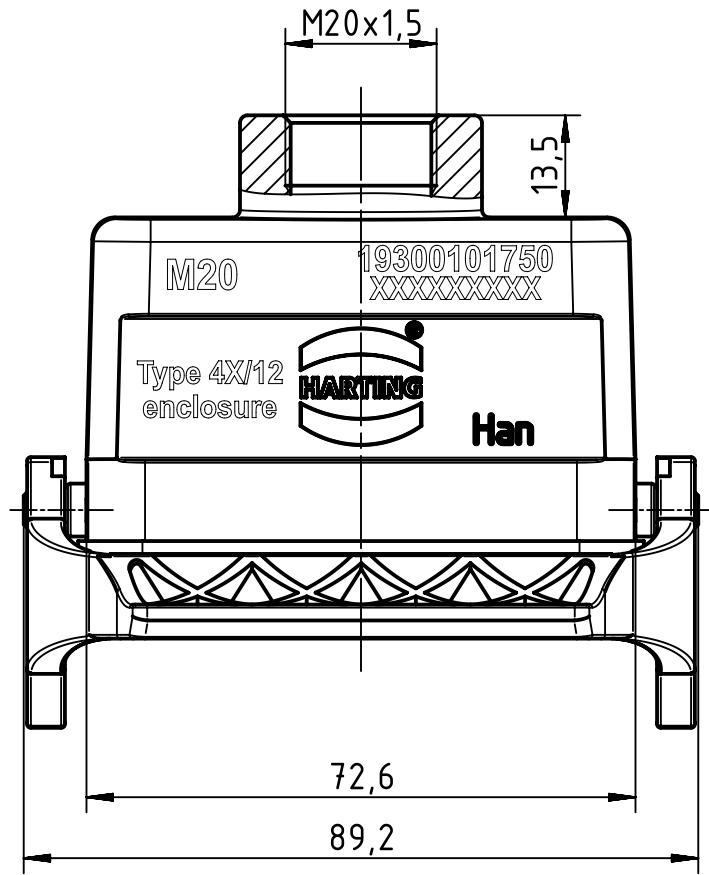
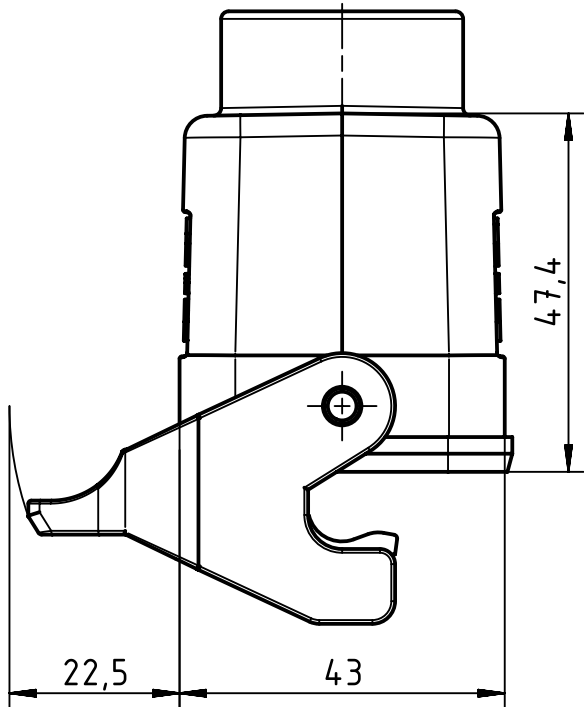
1 2 3 4 5 6

A

B

C

D



	All Dimensions in mm Original Size DIN A4		Scale 1:1	Free size tol.		Ref.	
			Created by HELLMANN	Inspected by GERB	Standardisation RUETERA	Date 2019-12-02	State Final Release
All rights reserved Department EL PD		Title Han 10B-kg-LB-M20				Doc-Key / ECM-Nr. 100192189/UGD/004/D 500000161508	
HARTING Electric GmbH & Co. KG D-32339 Espelkamp		Type TB	Number 19 30 010 1750			Rev. D	Page 1/1