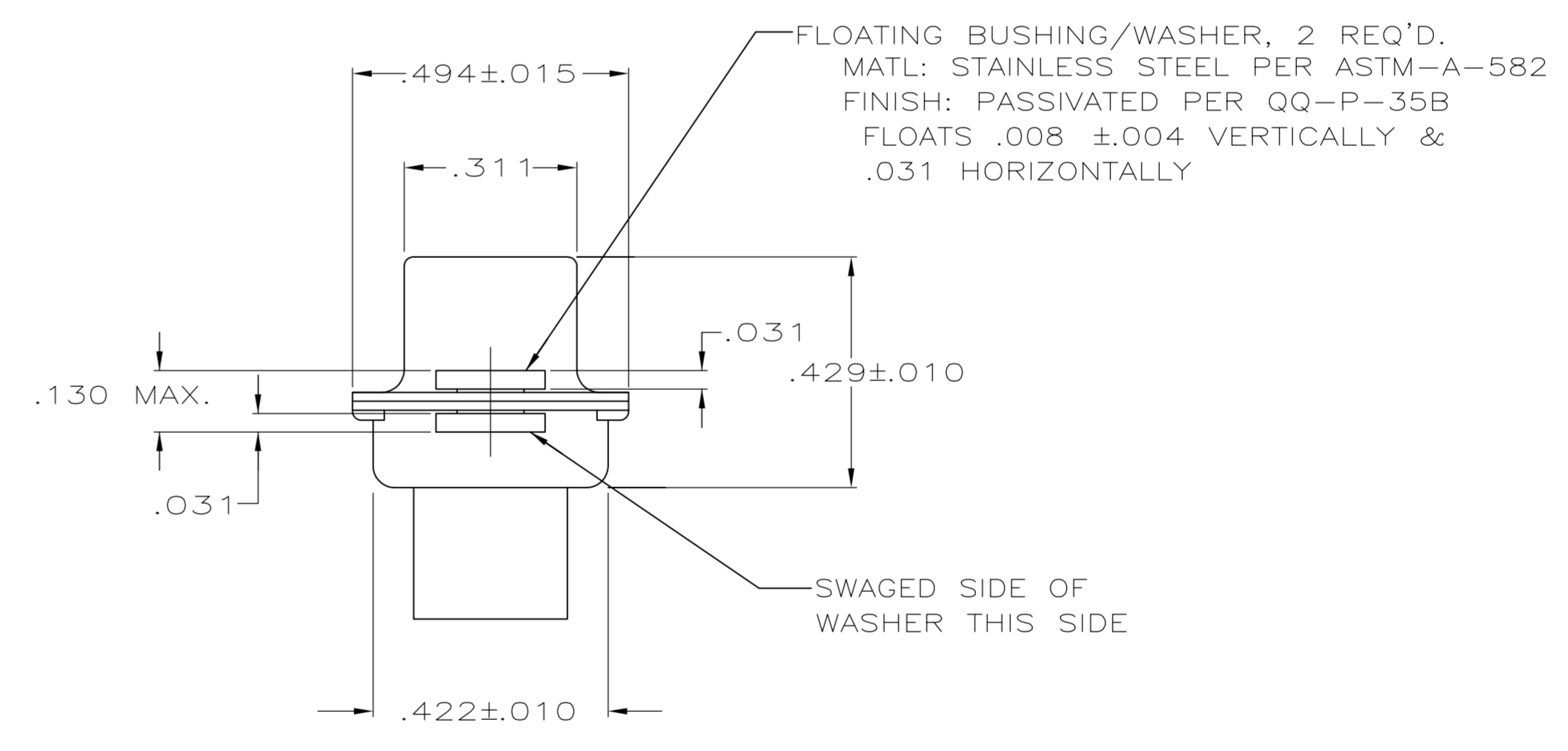
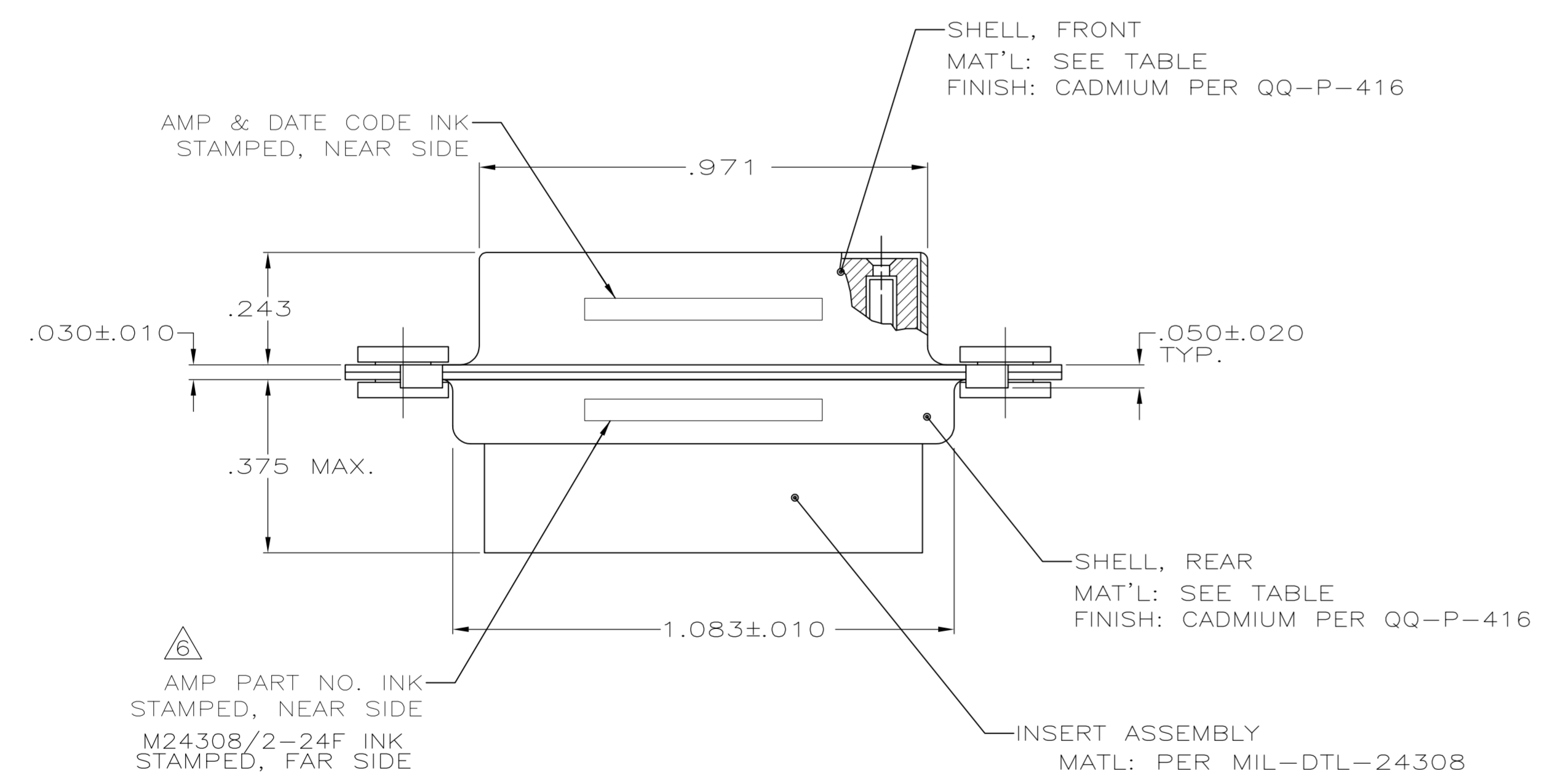
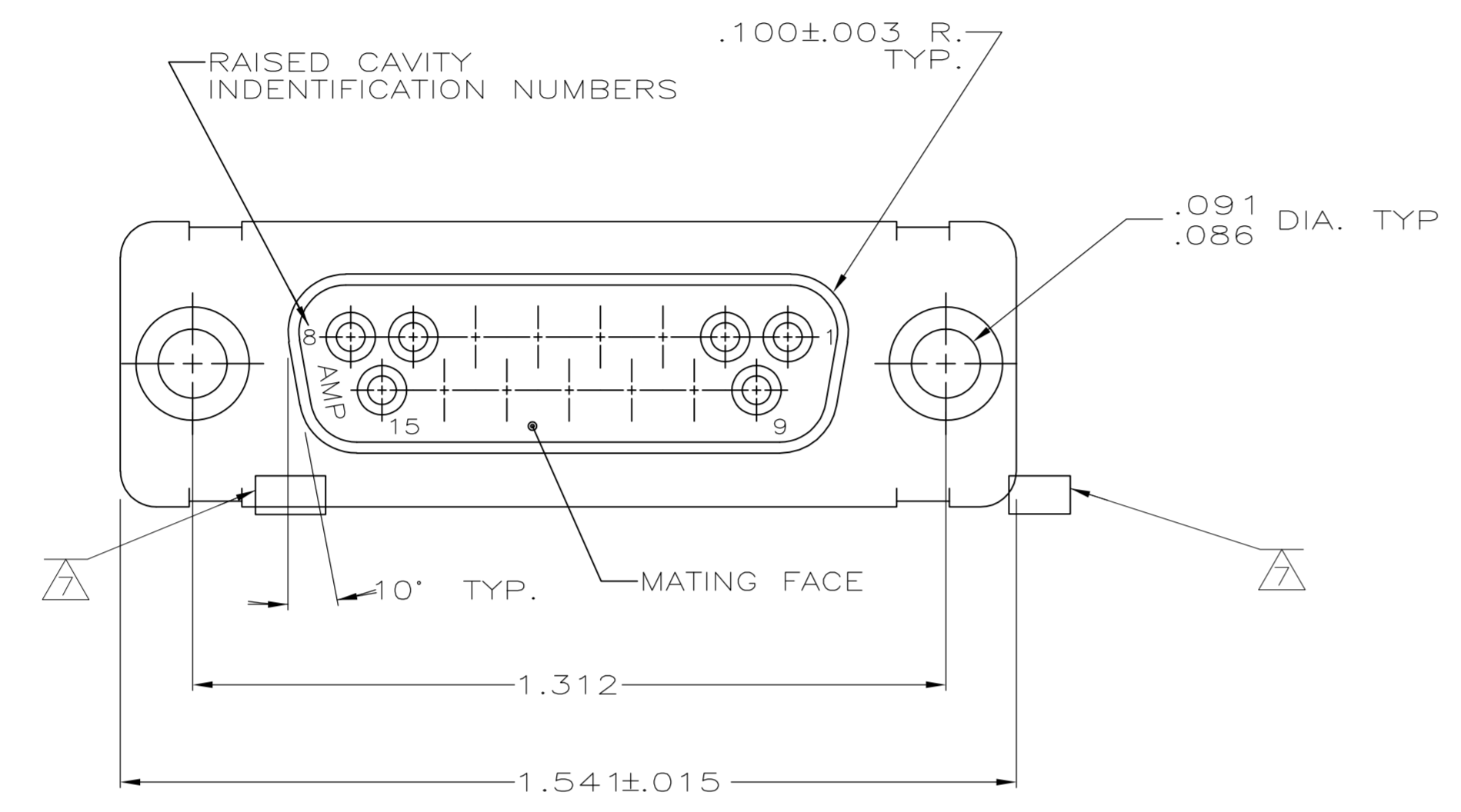


LOC		DIST		REVISIONS			
P	LTR	DESCRIPTION	DATE	OWN	APVD		
L		REV PER ECO-15-016062	10NOV15	KG	CD		



- THIS RCPT. IS DESIGNED TO CONFORM TO THE LATEST ISSUE OF MIL-C-24308
 - MAX WIRE INSUL TO BE USED WITH THIS RCPT IS .068 DIA
 - STAINLESS STEEL RETENTION CLIPS ARE INCLUDED IN INSERTS
 - PACKAGE STAMPED M24308/2-293F
 - THIS RCPT. WILL ACCEPT SIZE 20 SOCKET CONTACT M24308/10 OR AMP # 205090
- AMP PART NO. INK STAMPED, NEAR SIDE
 M24308/2-24F INK STAMPED, FAR SIDE
 UL/CSA DESIGNATION STAMPED IN THIS AREA.

OBSOLETE	BRASS	205417-2
	STEEL PER ASTM-A-109	205417-1
	SHELL MAT'L	PART NUMBER

THIS DRAWING IS A CONTROLLED DOCUMENT.		DWG C.C.THOMAS 12-9-87	TE Connectivity	
DIMENSIONS: INCHES		CHK FC BALLEW III 12-10-87	NAME	
TOLERANCES UNLESS OTHERWISE SPECIFIED:		APVD	PRODUCT SPEC	
0 PLC ± - 1 PLC ± - 2 PLC ± - 3 PLC ± .005 4 PLC ± - ANGLES ± -		APPLICATION SPEC	AMPLITE RCPT FOR SOCKET CONTACTS HI-DENSITY HDM-20 CONNECTOR, SIZE 2 (15 POS) SERIES 109 W/FLOAT BUSHINGS	
MATERIAL SEE CALLOUTS		WEIGHT	SIZE A1	RESTRICTED TO
FINISH SEE CALLOUTS		CUSTOMER DRAWING	CAGE CODE 00779	DRAWING NO 205417
		SCALE 4:1	SHEET 1 of 1	REV L